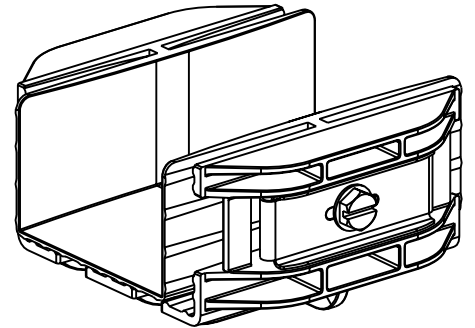
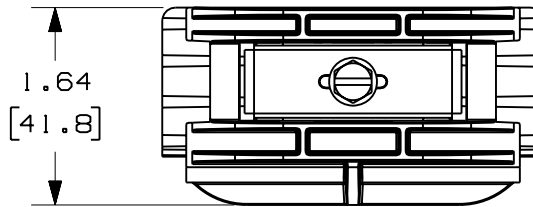
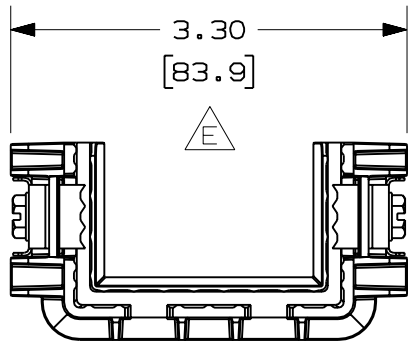


PANDUIT PART NUMBER	WEIGHT
FBC2X2	0.18 LB/EACH (80g/EACH)



NOTES:

1. SEE CURRENT CATALOG FOR ADDITIONAL PART SUFFIXES TO INDICATE COLOR AND/OR PACKAGE QUANTITY.
2. DIMENSIONS IN PARENTHESES ARE IN METRIC.



ENG. REF.: D38210BH_DC_FBC2X2_01.prt

CAD FILENAME/LAYERS

FBC2X2.pdf

PANDUIT CORP TINLEY PARK, ILLINOIS
FIBERRUNNER 2x2 QUIKLOCK COUPLER (FBC2X2)
 CUSTOMER DRAWING



UNLESS OTHERWISE SPECIFIED, DIMENSIONAL TOLERANCES ARE:

(.X) ± (.XXX) ±
 (.XX) ± .03 (.8) ANGLES ±

UNLESS OTHERWISE SPECIFIED, ALL DIMENSIONS ARE GIVEN IN INCHES, THIRD ANGLE PROJECTION.

REV	DATE	BY	CHK	DESCRIPTION	ECN	R	CUST	SUP	GMBH
-	-----	---	--	E. REMOVED DIMENSION.	-----	--	--		
-	-----	---	--	D. REVISED PART WEIGHT. C. REVISED DRAWING TITLE.	-----	--	--		
1	8-3-06	DTP	RN	B. REVISED CAD FILENAME. A. REV'D DWG. TO CUR. STAND.	38210-07	RN	RN		
R	2-18-02	JHNU	DJWA	RELEASED TO PRODUCTION	38210-07	HIW	HIW		

DRAWN BY: JHNU
 DATE: 12-29-05
 CHK'D: DJWA

MAT'L: ABS/STEEL

SCALE: NONE
 DRAWING NO.: 38210-07
 DWG SIZE: A