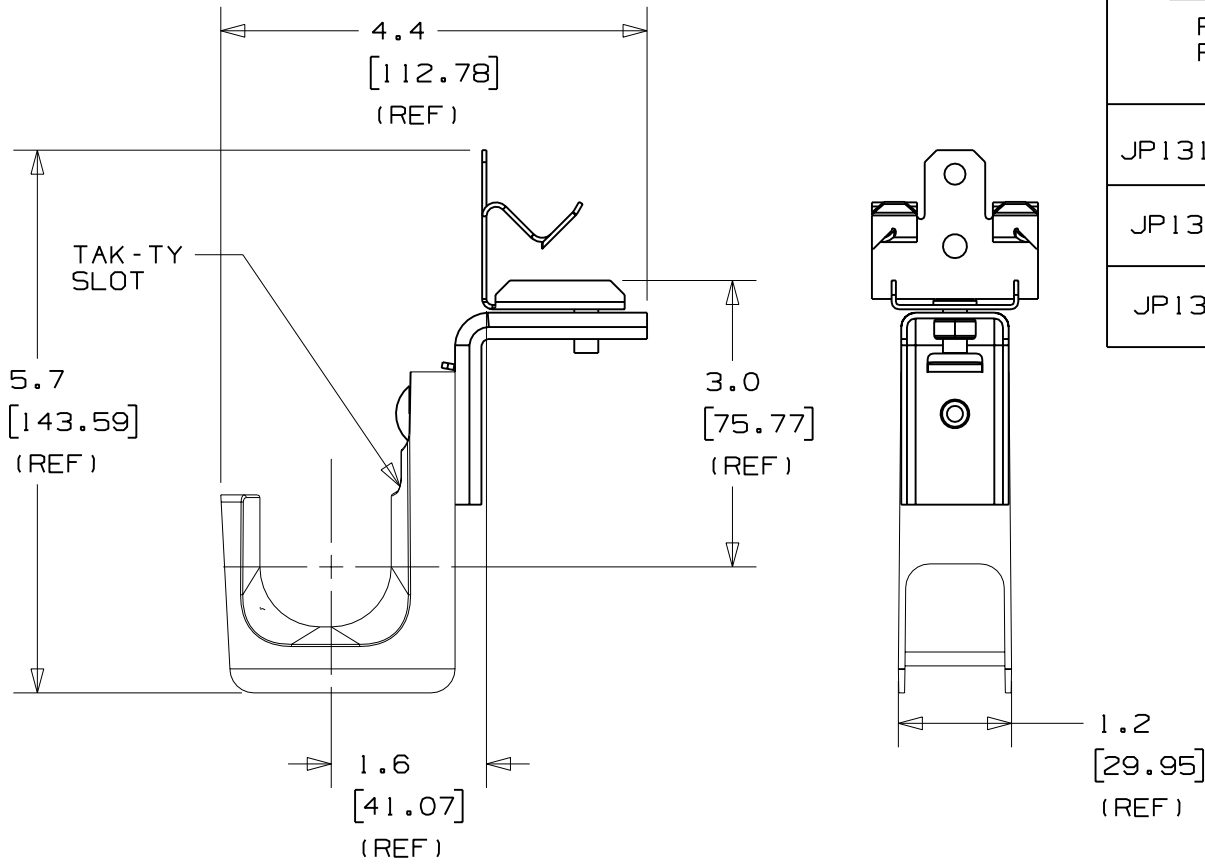
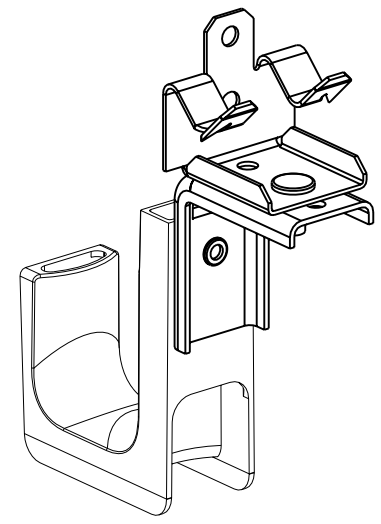


THIS COPY IS PROVIDED ON A RESTRICTED BASIS AND IS NOT TO BE USED IN ANY WAY DETRIMENTAL TO THE INTERESTS OF PANDUIT CORP.



PANDUIT PART NO.	FLANGE THICKNESS	WEIGHT lbs 10 (g) pcs
JP131HBC25R- ---	0.125 - 0.25 (3.18 - 6.35)	2.17 (1029.65)
JP131HBC50R- ---	0.3125 - 0.50 (7.94 - 12.7)	
JP131HBC75R- ---	0.5625 - 0.75 (14.29 - 19.05)	



**NOTES:**

- SEE CURRENT PRICE SHEET FOR PART NUMBER SUFFIX DESIGNATION FOR PACKAGE SIZE AND PRODUCT COLOR.
- HOOK MATERIAL: NYLON 6/6  
ANGLE BRACKET MATERIAL: PRE-GALVANIZED STEEL  
RIVET MATERIAL: ALUMINUM  
CLAMP MATERIAL: SPRING STEEL  
NUT MATERIAL: PLATED STEEL
- PRODUCT IS DESIGNED TO SUPPORT A MAXIMUM OF 1 5/16" (33.34) DIAMETER BUNDLE. MAXIMUM RECOMMENDED STATIC LOAD: 25 lbs.
- PRODUCT INCORPORATES FEATURES ALLOWING USER TO RETAIN CABLE BUNDLES IN J-PRO J-HOOK WITH TAK-TY CABLE TIES UP TO 3/4" WIDE.
- PRODUCT MARKINGS:  
cULus logo and statement:  
"SUITABLE FOR USE IN AIR HANDLING SPACES IN ACCORDANCE WITH SECTION 300-22 (C) & (D) OF THE NATIONAL ELECTRIC CODE."  
ULC logo and statement:  
"IN ACCORDANCE WITH CAN/ULC S-102.2 IN SINGLE UNITS OR PAIRS, 4 ft (1220mm) MIN. SPACING, FSR=0, SDC=20."

DIMENSIONS IN BRACKETS ARE METRIC [ mm ]

CAD FILENAME/LAYERS G0304CH\_PB\_JP131HBC--R\_00

**PANDUIT** CORP. TINLEY PARK, ILLINOIS

J-PRO J-HOOK WITH 360° HAMMER-ON BEAM CLAMP (JP131HBC--R- ---)

UNLESS OTHERWISE SPECIFIED, DIMENSIONAL TOLERANCES ARE: (.X) ±0.05 (1.31) (.XXX) ±0.010 (0.25) (.XX) ±0.02 (0.51) ANGLES ± 5°	UNLESS OTHERWISE SPECIFIED, ALL DIMENSIONS ARE GIVEN IN INCHES, THIRD ANGLE PROJECTION.
---	---

DRAWN BY JAD	MAT'L:	SCALE NONE
--------------	--------	------------

DATE 1/19/06	SEE NOTE 2	DRAWING NO. GB3043CH	DWG SIZE A
--------------	------------	----------------------	------------

CHK'D			
-------	--	--	--

R	1/19/06	JAD		INITIAL RELEASE	GB3043CH	R			
REV	DATE	BY	CHK	DESCRIPTION	ECN	R	CUST	SUP	