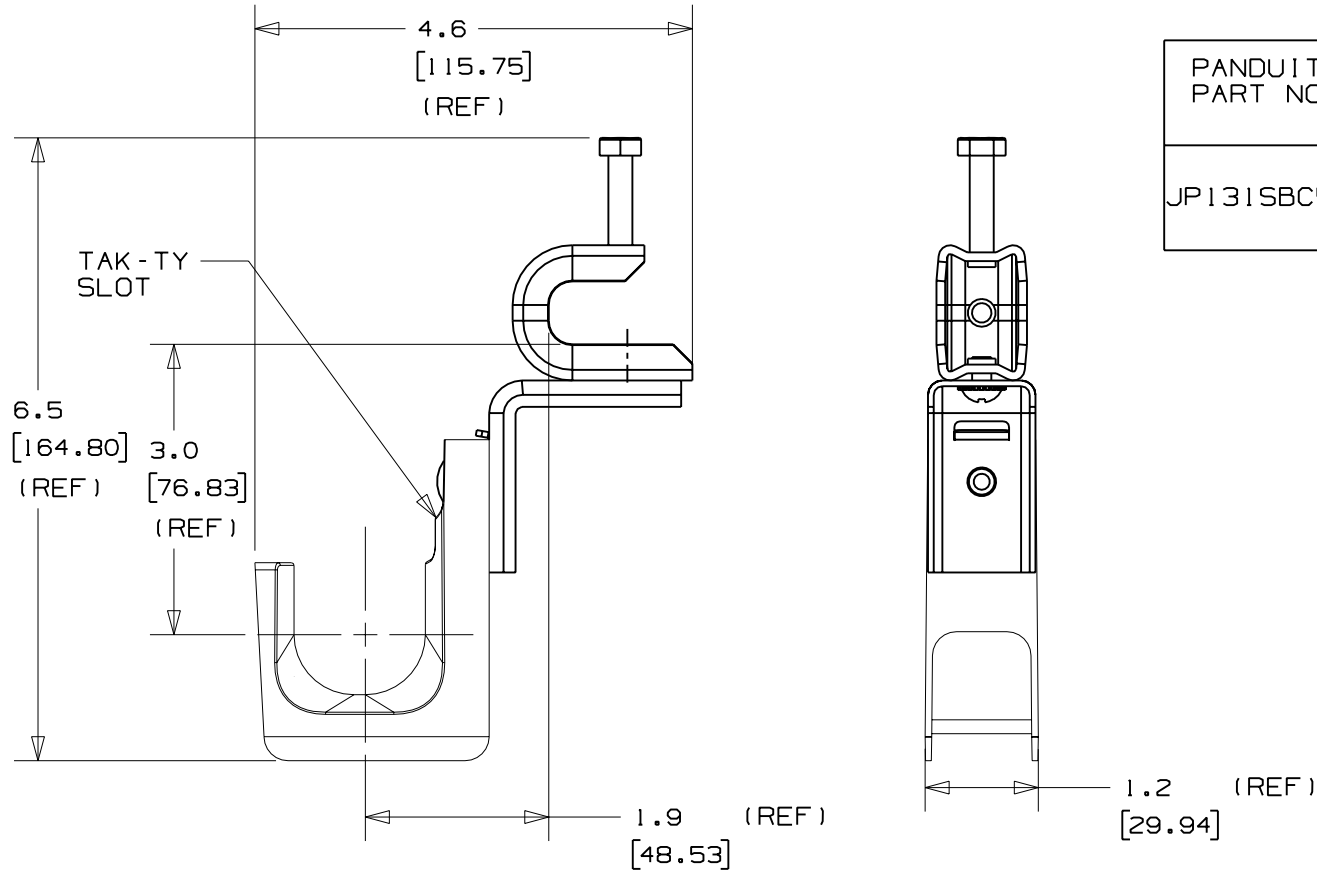
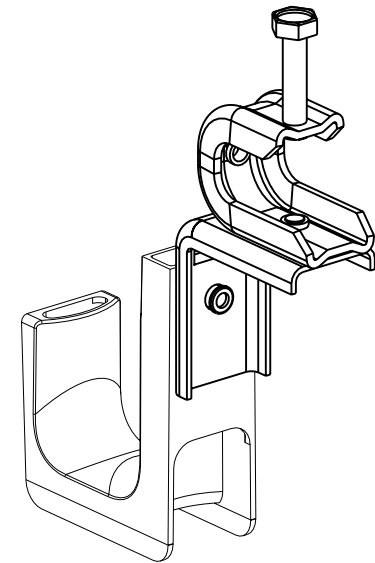


THIS COPY IS PROVIDED ON A RESTRICTED BASIS AND IS NOT TO BE USED IN ANY WAY DETRIMENTAL TO THE INTERESTS OF PANDUIT CORP.



| PANDUIT PART NO. | FLANGE THICKNESS | WEIGHT lbs 10 (g) pcs |
|------------------|----------------------|-----------------------------|
| JP131SBC50R-__ | UP TO 0.50 (12.7) | 2.81 (1274.6) |



NOTES:

- SEE CURRENT PRICE SHEET FOR PART NUMBER SUFFIX DESIGNATION FOR PACKAGE SIZE AND PRODUCT COLOR.
- HOOK MATERIAL: NYLON 6/6
ANGLE BRACKET MATERIAL: PRE-GALVANIZED STEEL
RIVET MATERIAL: ALUMINUM
BOLT MATERIAL: ZINC PLATED STEEL
WASHER MATERIAL: ZINC PLATED STEEL
CLAMP MATERIAL: PLATED STEEL
- PRODUCT IS DESIGNED TO SUPPORT A MAXIMUM OF 1 5/16" (33.34) DIAMETER BUNDLE. MAXIMUM RECOMMENDED STATIC LOAD: 25 lbs.
- PRODUCT INCORPORATES FEATURES ALLOWING USER TO RETAIN CABLE BUNDLES IN J-PRO J-HOOK WITH TAK-TY CABLE TIES UP TO 3/4" WIDE.
- PRODUCT MARKINGS:
cULus logo and statement:
"SUITABLE FOR USE IN AIR HANDLING SPACES IN ACCORDANCE WITH SECTION 300-22 (C) & (D) OF THE NATIONAL ELECTRIC CODE."
ULC logo and statement:
"IN ACCORDANCE WITH CAN/ULC S-102.2 IN SINGLE UNITS OR PAIRS, 4 ft (1220mm) MIN. SPACING, FSR=0, SDC=20."

| | |
|--|---|
| DIMENSIONS IN BRACKETS ARE METRIC [mm] | |
| CAD FILENAME/LAYERS G03043CG_PB_JP131SBC50R_00 | |
| PANDUIT CORP. TINLEY PARK, ILLINOIS | |
| J-PRO J-HOOK WITH 360° SCREW-ON BEAM CLAMP (JP131SBC50R-__) | |
| UNLESS OTHERWISE SPECIFIED, DIMENSIONAL TOLERANCES ARE: (.X) ±0.05 (1.31) (.XXX) ±0.010 (0.25) (.XX) ±0.02 (0.51) ANGLES ± 5° | UNLESS OTHERWISE SPECIFIED, ALL DIMENSIONS ARE GIVEN IN INCHES, THIRD ANGLE PROJECTION. |
| DRAWN BY JAD | MAT'L: |
| DATE 1/19/06 | SEE NOTE 2 |
| CHK'D | SCALE NONE |
| REV | DRAWING NO. GB3043CG |
| DATE | DWG SIZE A |
| BY JAD | |
| CHK | |
| DESCRIPTION | |
| ECN - R | |
| CUST | |
| SUP | |

| | | | | | | | | | |
|-----|---------|-----|-----|-----------------|----------|------|-----|--|--|
| R | 1/19/06 | JAD | | INITIAL RELEASE | GB3043CG | R | | | |
| REV | DATE | BY | CHK | DESCRIPTION | ECN - R | CUST | SUP | | |