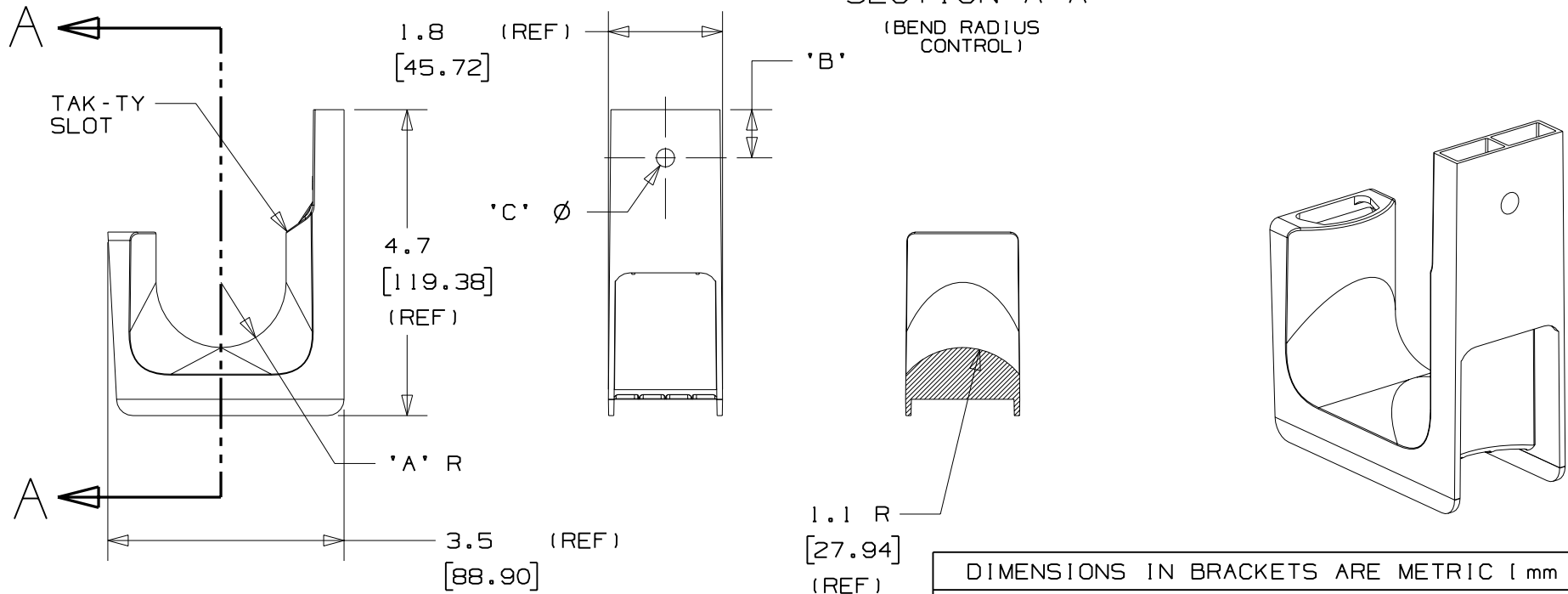


PANDUIT PART NO.	DIMENSIONS			WEIGHT lbs 10 (g) pcs
	'A'	'B'	'C'	
JP2W-___	1.0 (25.4) (REF)	0.73 (18.54)	0.27 (6.86)	1.27 (576.1)

SECTION A-A

(BEND RADIUS CONTROL)



NOTES:

- SEE CURRENT PRICE SHEET FOR PART NUMBER SUFFIX DESIGNATION FOR PACKAGE SIZE AND PRODUCT COLOR.
- MATERIAL: NYLON 6/6
- PRODUCT IS DESIGNED TO SUPPORT A MAXIMUM 2.0" (50.8) DIAMETER BUNDLE. RECOMMENDED MAXIMUM STATIC LOAD: 30 lbs.
- PRODUCT INCORPORATES FEATURES ALLOWING USER TO RETAIN CABLE BUNDLES IN J-PRO J-HOOK WITH TAK-TY CABLE TIES UP TO 3/4" WIDE.
- PRODUCT MARKINGS:  
 cULus logo and statement:  
 "SUITABLE FOR USE IN AIR HANDLING SPACES IN ACCORDANCE WITH SECTION 300-22 (C) & (D) OF THE NATIONAL ELECTRIC CODE."  
 ULC logo and statement:  
 "IN ACCORDANCE WITH CAN/ULC S-102.2 IN SINGLE UNITS OR PAIRS, 4 ft (1220mm) MIN. SPACING, FSR=0, SDC=20."

DIMENSIONS IN BRACKETS ARE METRIC [ mm ]	
CAD FILENAME/LAYERS G02888FJ_PB_JP2W_02	
CORP. TINLEY PARK, ILLINOIS	
J-PRO J-HOOK WALL MOUNT (JP2W-___)	
UNLESS OTHERWISE SPECIFIED, DIMENSIONAL TOLERANCES ARE: (.X) ±0.05 (1.31) (.XXX) ±0.010 (0.25) (.XX) ±0.02 (0.5) ANGLES ± 5°	UNLESS OTHERWISE SPECIFIED, ALL DIMENSIONS ARE GIVEN IN INCHES, THIRD ANGLE PROJECTION.
DRAWN BY JAD	MAT'L: SEE NOTE 2
DATE 4/7/04	SCALE NONE
CHK'D	DRAWING NO. GB2888FJ
	DWG SIZE A

2	8/29/05	JAD		COMPELTLY REVISED, RE-RELEASE WITH NEW GEOMETRY	GB2888FJ	2			
REV	DATE	BY	CHK	DESCRIPTION	ECN	R	CUST	SUP	