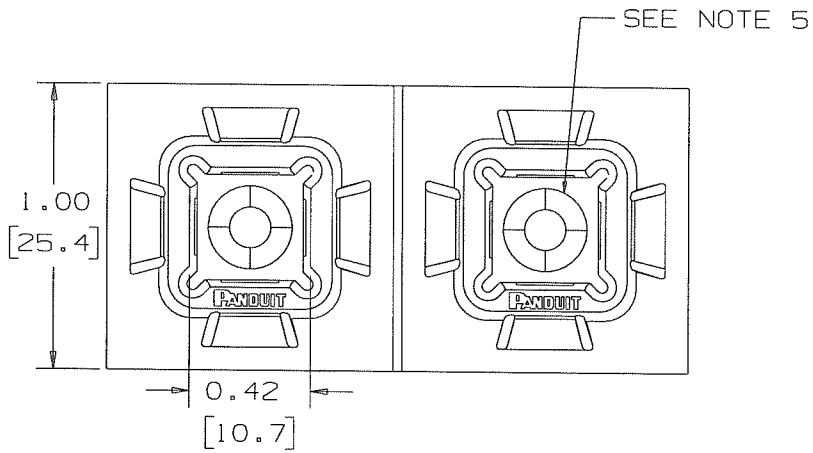
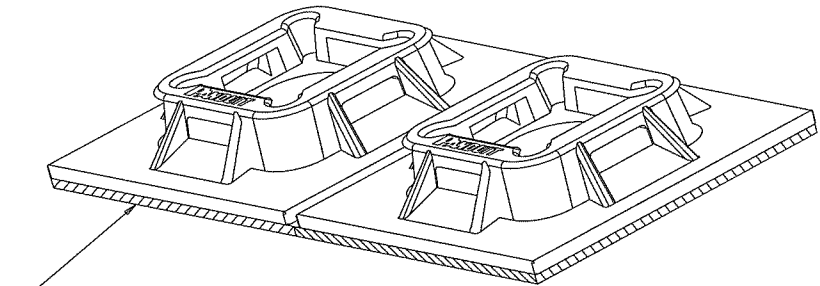


THIS COPY IS PROVIDED ON A RESTRICTED BASIS AND IS NOT TO BE USED IN ANY WAY DETRIMENTAL TO THE INTERESTS OF PANDUIT CORP.



PANDUIT PART NUMBER*	WEIGHT lbs/100 pcs (g)/100 pcs	USE WITH ANY OF THESE CABLE TIE CROSS-SECTIONS
ABM100-A	0.33 (150)	M, I, S SG100M, & SG150I

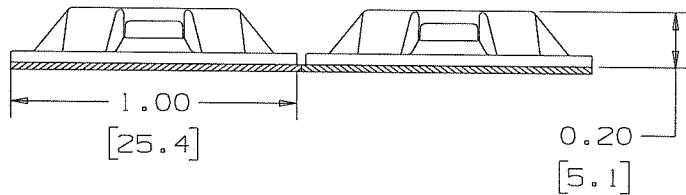


NO WARRANTY, EXPRESSED OR IMPLIED, IS MADE BY PANDUIT WITH RESPECT TO ADHESIVE BOND PERFORMANCE. AMONG OTHER THINGS, THE CONDITIONS UNDER WHICH THESE MOUNTS MAY BE APPLIED AND/OR THE SURFACE TO WHICH THEY MAY BE APPLIED ARE BEYOND PANDUIT'S CONTROL.

ADHESIVE BACKING: RUBBER BASED ADHESIVE PRESSURE SENSITIVE FOAM TAPE 0.04 [1.0] THICK WITH A PROTECTIVE LINER. MOUNT IS DESIGNED TO SUPPORT 0.50 lbs (227g) MAX. WEIGHT ON A CLEAN DRY SMOOTH SURFACE.

NOTES

1. SEE CURRENT PRICE SHEET FOR PART NUMBER SUFFIX DESIGNATION FOR PACKAGE SIZE AND COLOR.
2. THE '-A' SUFFIX REPRESENTS RUBBER ADHESIVE.
3. SUPPLIED IN STRIPS OF TWO.
4. MOUNT HAS A MAXIMUM CONTINUOUS OPERATING TEMPERATURE OF 120°F (49°C).
5. HOLE FOR STANDARD S6 FLAT HEAD SCREW.



DIMENSIONS IN BRACKETS ARE METRIC [mm]

CAD FILENAME/LAYERS

G03597HJ_DC_G0033BA/06B

PANDUIT CORP. TINLEY PARK, ILLINOIS

ABM100-A
FOUR-WAY MOUNT

UNLESS OTHERWISE SPECIFIED,
DIMENSIONAL TOLERANCES ARE:
(.X) ±0.05 [1.3] (.XXX) ±0.010 [0.25]
(.XX) ±0.02 [0.5] ANGLES ± 5°

UNLESS OTHERWISE SPECIFIED,
ALL DIMENSIONS ARE GIVEN
IN INCHES, THIRD ANGLE PROJECTION.

REV	DATE	BY	CHK	DESCRIPTION	ECN	R	CUST	SUP
6B	12-16-08	PSG	<i>[Signature]</i>	REVISED DIMENSIONS AND WEIGHT	GB0033BA	6B	<i>KLN</i>	
6	8-24-05	TMSA		REMOVED PART NUMBER ABM25	GB0033BA	6		

DRAWN BY MJK

MAT'L:

SCALE NONE

DATE 12/09/92

NYLON 6/6

DRAWING NO. GBO033BA

DWG

CHK'D *KLN*

SIZE A