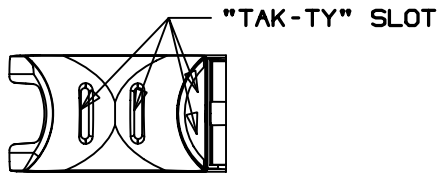
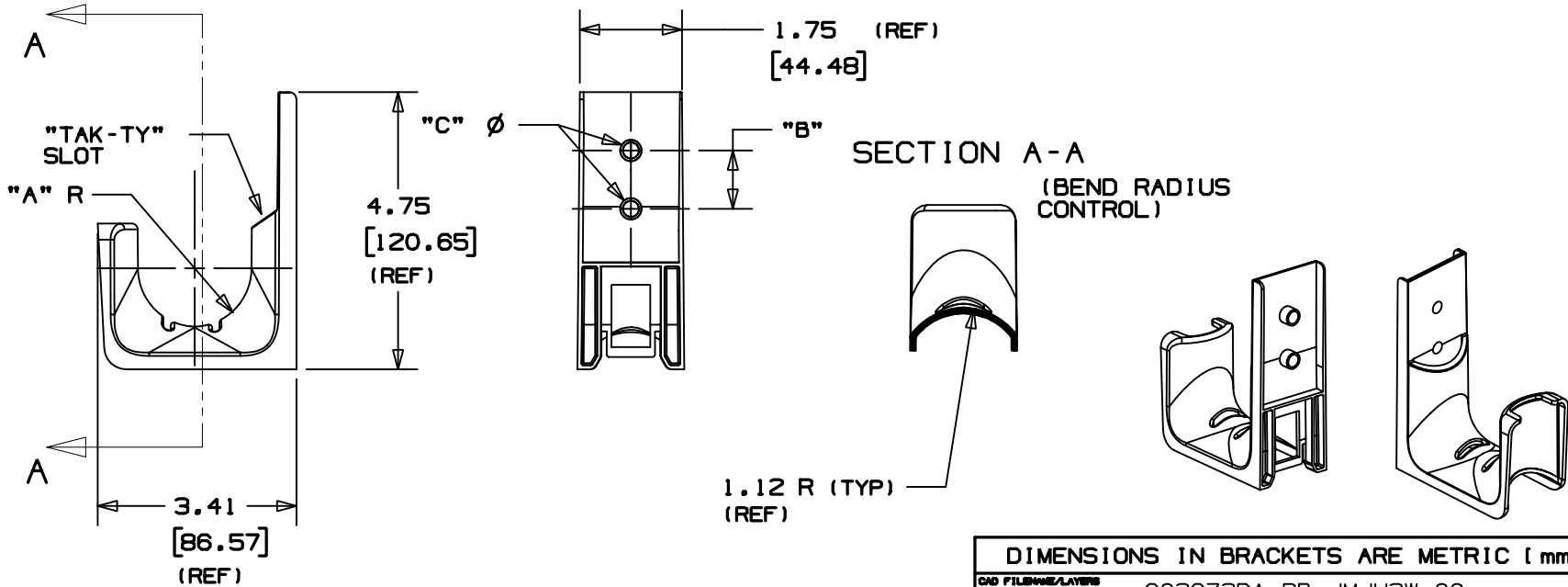


THIS COPY IS PROVIDED ON A RESTRICTED BASIS AND IS NOT TO BE USED IN ANY WAY DETRIMENTAL TO THE INTERESTS OF PANDUIT CORP.



PANDUIT PART NO. *	DIMENSIONS			MAXIMUM RECOMMENDED FASTENER	WEIGHT lbs. / 10 pcs. (g) / 10 pcs.
	"A" (REF)	"B" (REF)	"C"		
JMJH2W-	1.00 (25.4)	1.00 (25.4)	0.280 (7.11)	1/4", or (6mm)	1.01 (456.86)



- NOTES:
1. SEE CURRENT PRICE SHEET FOR PART NUMBER SUFFIX DESIGNATION FOR PACKAGE SIZE AND PRODUCT COLOR.
 2. PRODUCT IS DESIGNED TO SUPPORT A MAXIMUM 2.0" DIAMETER BUNDLE. RECOMMENDED MAXIMUM STATIC LOAD: 30.0 lbs.
 3. PRODUCT INCORPORATES FEATURES ALLOWING THE USER THE ABILITY TO SECURE CABLE BUNDLES IN JMOD PRODUCT WITH "TAK-TY" CABLE TIES UP TO 3/4" WIDE.

DIMENSIONS IN BRACKETS ARE METRIC [mm]	
CAD FILENAME/LAYERS G02672DA_PB_JMJH2W_00	
PANDUIT CORP. TINLEY PARK, ILLINOIS	
(JMJH2W) J MOD J HOOK (WALL MOUNT)	
UNLESS OTHERWISE SPECIFIED, DIMENSIONAL TOLERANCES ARE: (.X) ±0.05 (1.3) (.XX) ±0.010 (0.25) (.XX) ±0.02 (0.5) ANGLES ± 5°	UNLESS OTHERWISE SPECIFIED, ALL DIMENSIONS ARE GIVEN IN INCHES, THIRD ANGLE PROJECTION.
DRAWN BY JAD	MAT'L: NONE
DATE 4/1/03	NYLON 6/6
DRW'D	SCALE NONE
REV	DWG NO. GB2672DA
DATE	SIZE A
BY	
CHK	
DESCRIPTION	
ECN - R	
CUST	
SUP	

R	4/1/03	JAD		INITIAL RELEASE	GB2672DA	R			
REV	DATE	BY	CHK	DESCRIPTION	ECN - R	CUST	SUP		