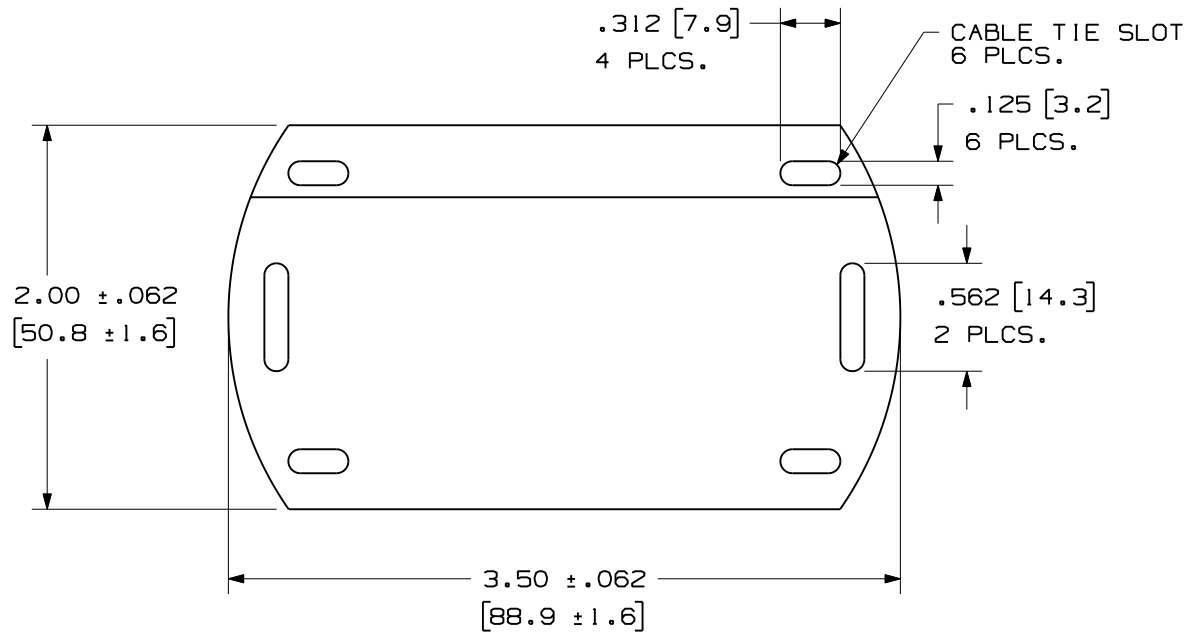


THIS COPY IS PROVIDED ON A RESTRICTED BASIS AND IS NOT TO BE USED IN ANY WAY DETRIMENTAL TO THE INTERESTS OF PANDUIT CORP.

NOTES:

1. MILLIMETER ARE IN [].



PART NUMBER	PART DESCRIPTION	STD. PKG. QTY.	STD. CTN. QTY.
PST-FOBLNK	YELLOW BLANK TAG, 5 TAGS/PACK.	1	40

CAD FILENAME/LAYERS 101064DB-DC-C10896/00A

PANDUIT CORP. TINLEY PARK, ILLINOIS

CUSTOMER DRAWING
PST-FOBLNK FIBER OPTIC CABLE TAG

UNLESS OTHERWISE SPECIFIED,
DIMENSIONAL TOLERANCES ARE:
(.X) ± .12 (.XXX) ± .025
(.XX) ± .062 ANGLES ±

UNLESS OTHERWISE SPECIFIED,
ALL DIMENSIONS ARE GIVEN
IN INCHES, THIRD ANGLE PROJECTION.

DRAWN BY
RVU

MAT'L:
15 MIL RIGID
VINYL - YELLOW
GMRV15-YL

SCALE NOT TO SCALE

REV	DATE	BY	CHK	DESCRIPTION	ECN	R	CUST	SUP
0	3/25/11	RVU		DRAWING RELEASED	6335	R		

DATE 3/25/11
CHK'D

DRAWING NO. C10896
DWG SIZE A