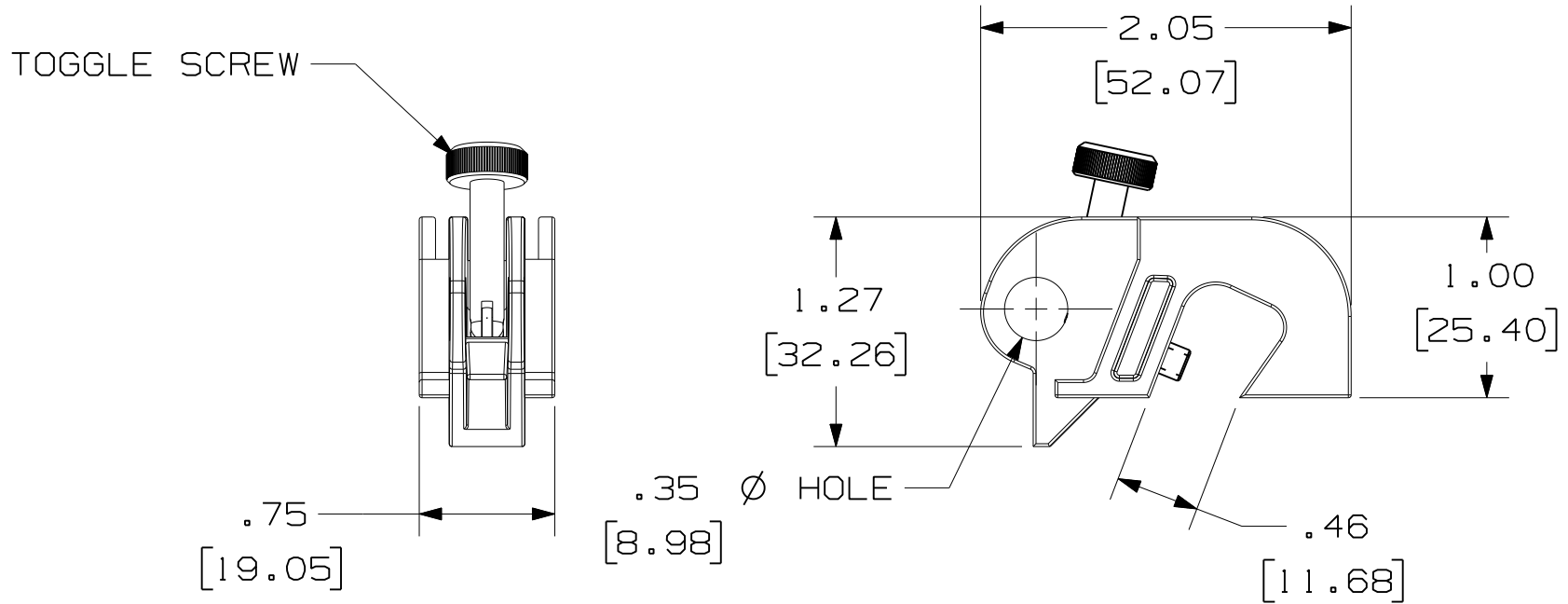


THIS COPY IS PROVIDED ON A RESTRICTED BASIS AND IS NOT TO BE USED IN ANY WAY DETRIMENTAL TO THE INTERESTS OF PANDUIT CORP.



NOTES:  
1. MILLIMETERS ARE SHOWN IN BRACKETS.

CAD FILENAME/LAYERS 10061900-DC-C10018/00A

PANDUIT CORP. TINLEY PARK, ILLINOIS

PSL-CBILNT LOCKOUT

UNLESS OTHERWISE SPECIFIED, DIMENSIONAL TOLERANCES ARE:  
(.X) ± (.XXX) ±  
(.XX) ± .010 10.25 ANGLES ±

UNLESS OTHERWISE SPECIFIED, ALL DIMENSIONS ARE GIVEN IN INCHES, THIRD ANGLE PROJECTION.

REV	DATE	BY	CHK	DESCRIPTION	ECN	R	CUST	SUP
O	10/15/10	RVU		UPDATE MATERIAL.	6177	R		
R	3-28-03	RVU		DRAWING RELEASE	3224	R		

DRAWN BY RVU	MAT'L: BODY - NYLON SCREW - STAINLESS STEEL	SCALE NTS
DATE 3-28-03		DRAWING NO. C10018
CHK'D		DWG A SIZE