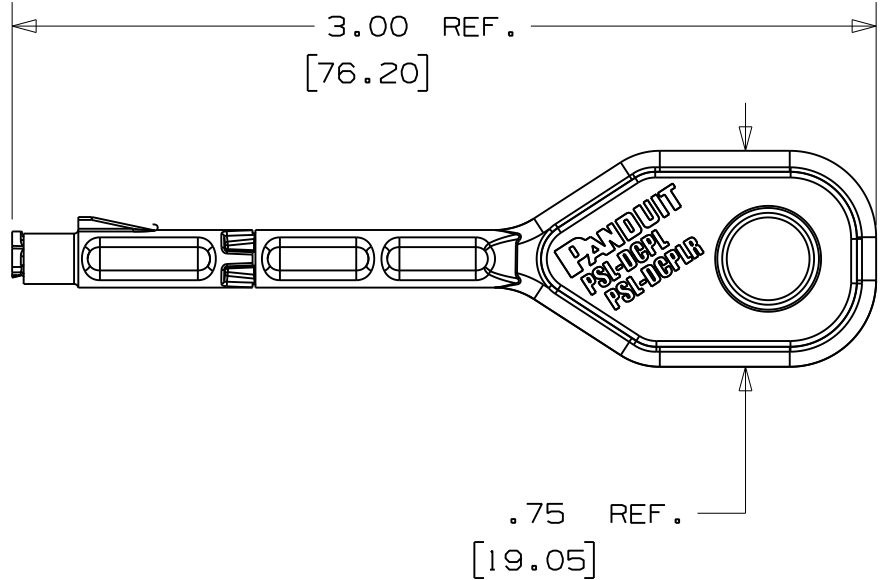
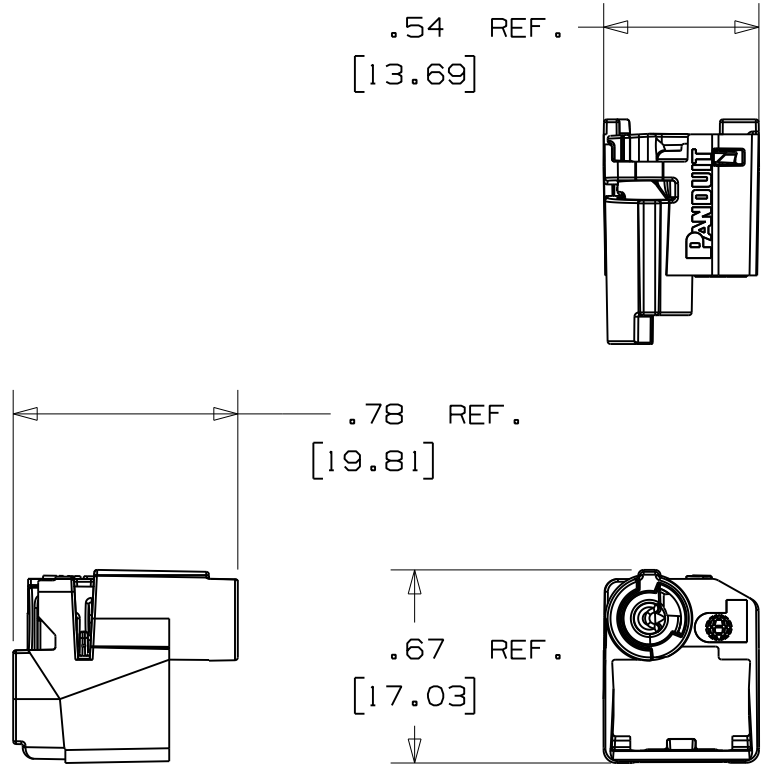


THIS COPY IS PROVIDED ON A RESTRICTED BASIS AND IS NOT TO BE USED IN ANY WAY DETRIMENTAL TO THE INTERESTS OF PANDUIT CORP.



PSL - DCPLR

KEY

CAD FILENAME/LAYERS 100913AD_C10743_DCPLR_01.prt

PANDUIT CORP. TINLEY PARK, ILLINOIS

PSL - DCPLR
CUSTOMER DRAWING

UNLESS OTHERWISE SPECIFIED,
DIMENSIONAL TOLERANCES ARE:
(.X) ± .05 (.XXX) ± .010
(.XX) ± .02 ANGLES ± 2°

UNLESS OTHERWISE SPECIFIED,
ALL DIMENSIONS ARE GIVEN
IN INCHES, THIRD ANGLE PROJECTION.

DRAWN BY
MROB

MAT'L:
LOCK-IN
POLYCARBONATE
KEY
10% GF NYLON

SCALE
1.5 : 1

REV	DATE	BY	CHK	DESCRIPTION	ECN	R	CUST	SUP
0	09/17/08	MROB		DRAWING RELEASED	5552	D		

DATE
09/17/08

DRAWING NO.
C10743

DWG
A
SIZE