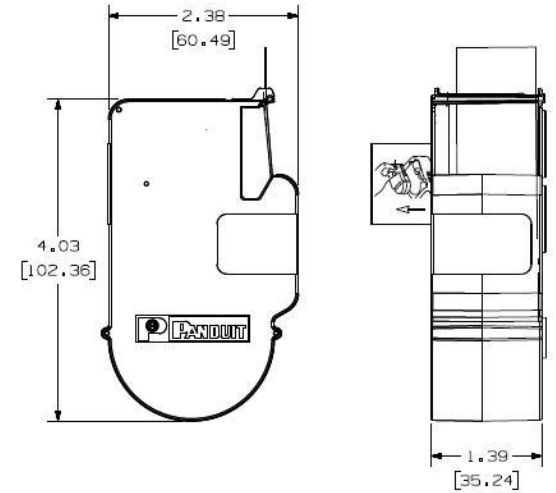
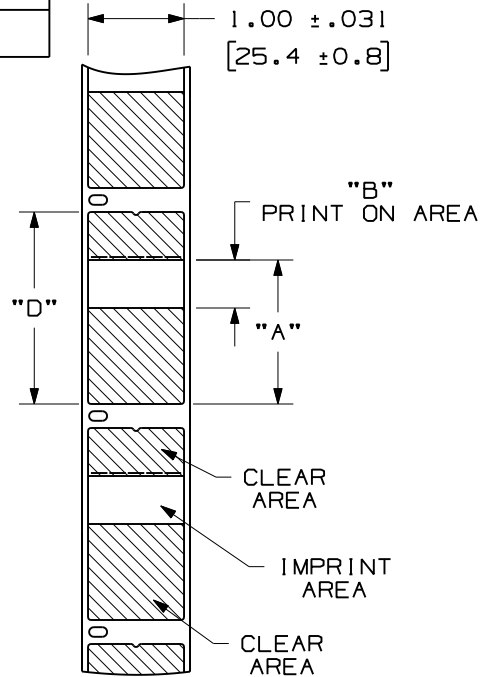


THIS COPY IS PROVIDED ON A RESTRICTED BASIS AND IS NOT TO BE USED IN ANY WAY DETRIMENTAL TO THE INTERESTS OF PANDUIT CORP.

PART NUMBER	APPLICATION DIAMETER RANGE	MATERIAL	"A" +/- .062 LENGTH	"B" +/- .062 PRINT ON AREA	"D" +/- .062 LENGTH	LABELS/ CASSETTE
R100X075VIC	.120"-.160"	GMH6	.75 [19.1]	.25 [6.4]	1.25 [31.8]	150
R100X125VIC	.160"-.220"	GMH6	1.25 [31.8]	.38 [9.5]	1.75 [44.5]	100
R100X150VIC	.220"-.280"	GMH6	1.50 [38.1]	.50 [12.7]	2.00 [50.8]	100
R100X225VIC	.280"-.390"	GMH6	2.25 [57.2]	.75 [19.1]	2.75 [69.9]	75

NOTES:
 1. DIMENSION IN [] ARE IN MILLIMETERS.
 2. SEE B20393 FOR INSTALLATION INSTRUCTIONS.



CAD FILENAME/LAYERS 100693GQ_DC_C10783/04B

PANDUIT CORP. TINLEY PARK, ILLINOIS

CUSTOMER DRAWING
 TURN TELL ROTATABLE SELF-LAMINATING LABEL
 PI CASSETTE, R100X***VIC

UNLESS OTHERWISE SPECIFIED,
 DIMENSIONAL TOLERANCES ARE:
 (.X) ± .12 (.XXX) ± .025
 (.XX) ± .062 ANGLES ±

UNLESS OTHERWISE SPECIFIED,
 ALL DIMENSIONS ARE GIVEN
 IN INCHES, THIRD ANGLE PROJECTION.

REV	DATE	BY	CHK	DESCRIPTION	ECN	R	CUST	SUP
I	9/24/09	RVU		DRAWING RELEASE.	5845	R		
O	9/10/09	RVU		VOID				

DRAWN BY RVU	MAT'L; SEE TABLE	SCALE NTS
DATE 09/1/09		DRAWING NO. C10783
CHK'D		DWG A SIZE