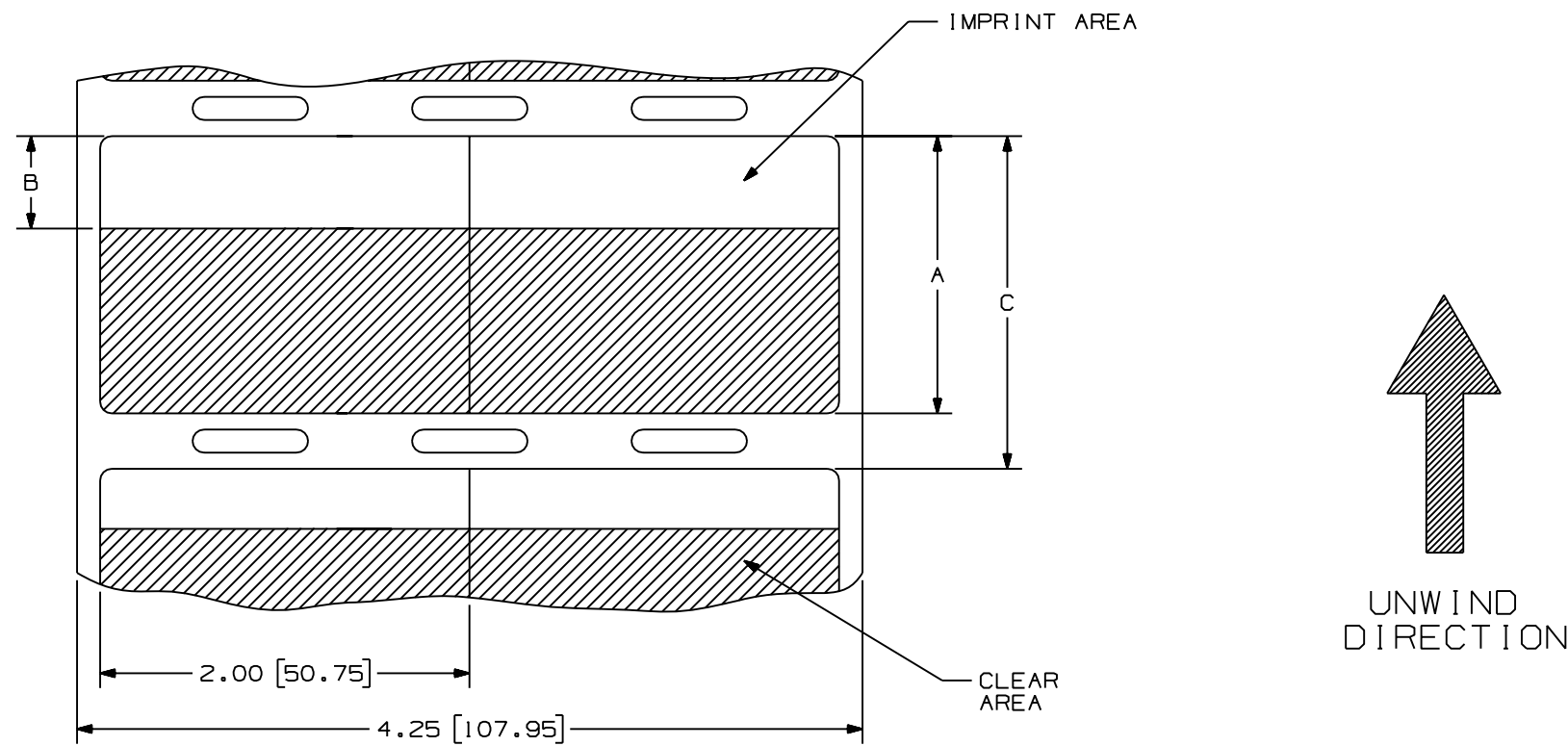


PART NUMBER	MATERIAL	A HEIGHT	IMPRINT AREA B	VERTICAL REPEAT C	LABELS PER ROW	STANDARD PKG. QTY.
S200X225VAT	GMV	2.250 [57.2]	0.75 +/- .031 [19.1]	2.500 [63.5]	2	1000
S200X400VAT	GMV	4.000 [101.6]	1.00 +/- .031 [25.4]	4.250 [108.0]	2	1000
S200X225VATY	GMV	2.250 [57.2]	0.75 +/- .031 [19.1]	2.500 [63.5]	2	1000
S200X400VATY	GMV	4.000 [101.6]	1.00 +/- .031 [25.4]	4.250 [108.0]	2	1000



NOTES:
 1. MILLIMETERS ARE IN [].
 2. SEE MFG. DWG. NO. A61157.

CAD FILENAME/LAYERS I00472DL_C10199_S200XNUMVAT_00.PRT

PANDUIT CORP TINLEY PARK, ILLINOIS

OPTIMUM SELF-LAM. S200X***VAT
 THERMAL TRANSFER PRINTABLE LABELS

UNLESS OTHERWISE SPECIFIED,
 DIMENSIONAL TOLERANCES ARE:
 (.X) ± (.XXX) ± .010
 (.XX) ± .03 ANGLES ±

UNLESS OTHERWISE SPECIFIED,
 ALL DIMENSIONS ARE GIVEN IN
 INCHES, THIRD ANGLE PROJECTION

REV	DATE	BY	CHK	DESCRIPTION	ECN	R	CUST	SUP
1	1-26-07	RVU		OBSOLETE THIS DRAWING.	4858	R		
0	9-22-04	RVU		DRAWING RELEASED.		R		

DRAWN BY RVU	MAT'L:	SCALE NTS
DATE 9-22-04	SEE TABLE	DRAWING NO. C10199
CHK'D		DWG A SIZE