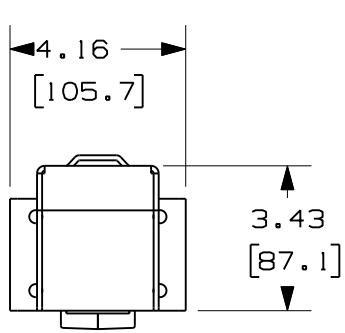
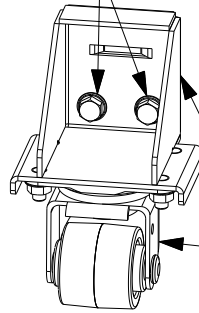


THIS COPY IS PROVIDED ON A RESTRICTED BASIS AND IS NOT TO BE USED IN ANY WAY DETRIMENTAL TO THE INTERESTS OF PANDUIT CORP.



5/16-18 BOLTS  
PART OF  
CNCSTR-KIT

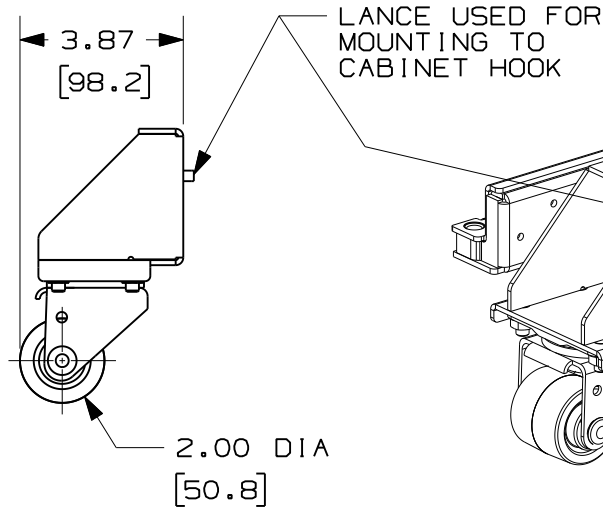
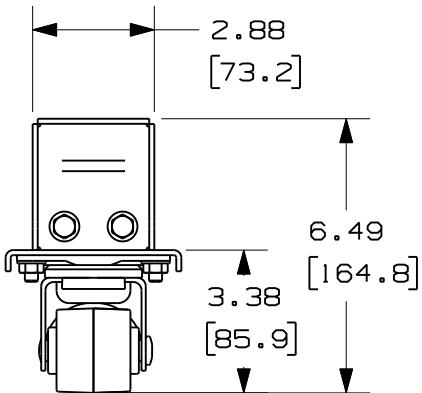


CASTER  
ASSEMBLY

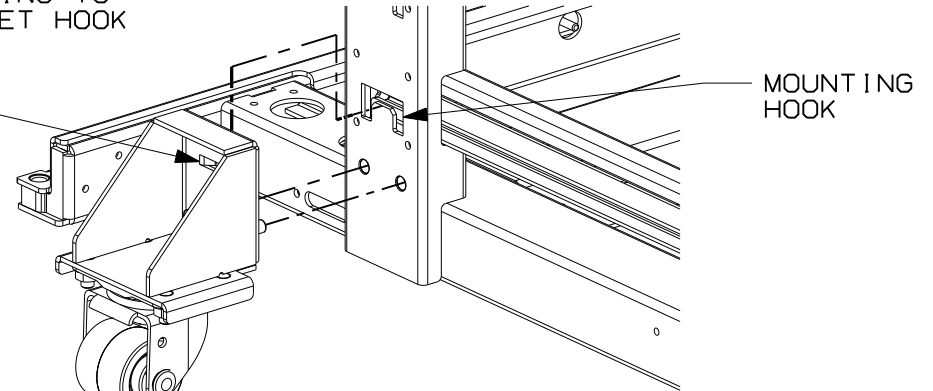
PANDUIT P/N	WEIGHT
CNCSTR	13.5 LBS/EACH 6.1 Kg/EACH

NOTES:

- VISIT OUR ON-LINE CATALOG AT [WWW.PANDUIT.COM](http://WWW.PANDUIT.COM) FOR A LIST OF CURRENT PARTS APPLICABLE FOR USE WITH THIS PRODUCT.
- DIMENSIONS IN PARENTHESES ARE METRIC (mm).
- PARTS SUPPLIED:  
(4) - CASTER ASSEMBLIES  
(8) - 5/16-18 X 3/4 SERRATED HEX WASHERHEAD BOLTS



LANCE USED FOR  
MOUNTING TO  
CABINET HOOK



MOUNTING  
HOOK

MODEL FILENAME	V10395ZA/00.PRT
CAD FILENAME/LAYERS	V10395ZA_DC/00A.PRT

**PANDUIT** CORP. TINLEY PARK, ILLINOIS  
**NETWORK CABINET CASTER KIT  
 (CNCSTR)  
 CUSTOMER DRAWING**

UNLESS OTHERWISE SPECIFIED, DIMENSIONAL TOLERANCES ARE: INCHES X.X +/- 0.06 X.XX +/- 0.03 X.XXX +/- 0.015	[METRIC - MILLIMETER] ANGLE X +/- 1.5 X.X +/- 0.8 X.XX +/- 0.4	UNLESS OTHERWISE SPECIFIED, ALL DIMENSIONS ARE GIVEN IN INCHES, THIRD ANGLE PROJECTION.
--	---	---

DRAWN BY MDCA/LEE	MAT'L:	SCALE NONE
DATE 7-20-09	SEE NOTES	DRAWING NO. V10395ZA-DC
CHK'D TKW		DWG SIZE A

REV	DATE	BY	CHK	DESCRIPTION	ECN	R	CUST	SUP	OTH
OOA	7-20-09	MDCA/LEE	TKW	RELEASED TO PRODUCTION	V10395ZA-DC	TKW	KRKE		