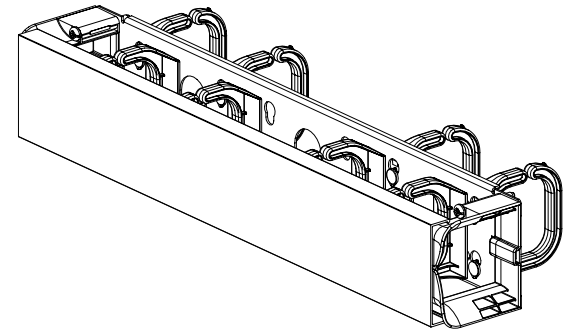
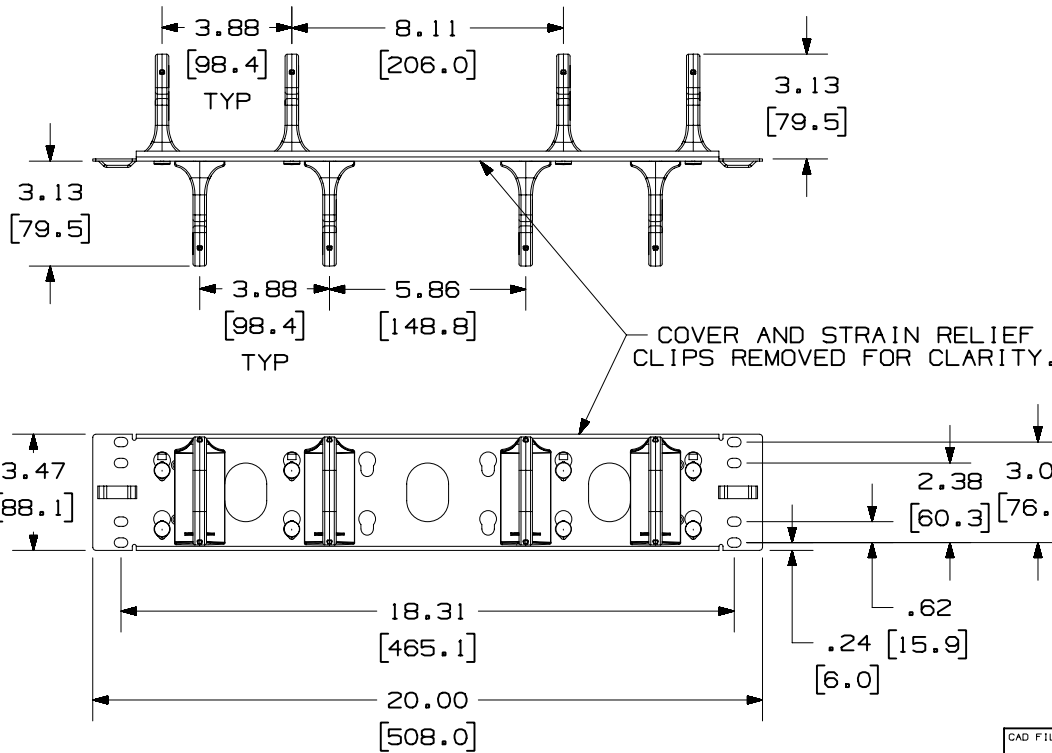


THIS COPY IS PROVIDED ON A RESTRICTED BASIS AND IS NOT TO BE USED IN ANY WAY DETRIMENTAL TO THE INTERESTS OF PANDUIT CORP.

PANDUIT P/N	WEIGHT
CMPH2W	2.03 LB/EACH PC (919.4 g/EACH PC)

NOTES:

- SEE CURRENT CATALOG FOR ADDITIONAL PART NUMBER SUFFIXES TO INDICATE COLOR AND OR PACKAGE QUANTITY.
- SEE CATALOG FOR COMPLETE LIST OF PARTS APPLICABLE FOR USE WITH THIS PART.
- DIMENSIONS IN PARENTHESES ARE IN METRIC.
- PART INCLUDES:  
 8- D-RING  
 1- STAMPING  
 2- STRAIN RELIEF CLIP  
 1- COVER  
 4- 12-24 SCREWS  
 4- M6 METRIC SCREWS



CAD FILENAME/LAYERS M00625AR\_DC\_00B.PRT

**PANDUIT** CORP. TINLEY PARK, ILLINOIS  
 OPEN CABLE MANAGEMENT PANEL  
 HORIZONTAL WITH COVER (CMPH2W)  
 CUSTOMER DRAWING

UNLESS OTHERWISE SPECIFIED,  
 DIMENSIONAL TOLERANCES ARE:  
 (.X) ± (.XXX) ± .010 (.3)  
 (.XX) ± .03 (.8) ANGLES ±

UNLESS OTHERWISE SPECIFIED,  
 ALL DIMENSIONS ARE GIVEN  
 IN INCHES, THIRD ANGLE PROJECTION.

REV	DATE	BY	CHK	DESCRIPTION	ECN	CHK	CUST	SUP
I	4-30-02	JDWE		A. ADDED METRIC SCREWS	00625-53			
R	10-7-99	JsP	KLGO	RELEASED TO PRODUCTION.	00625-53	CEF		

DRAWN BY JsP	MAT'L: STAMPING: C.R.S. D-RING: PC S.R.C.: PC COVER: PVC	SCALE NONE
DATE 10-7-99	CHECKED BY KLGO	DRAWING NO. 00625-53
		DWG A SIZE