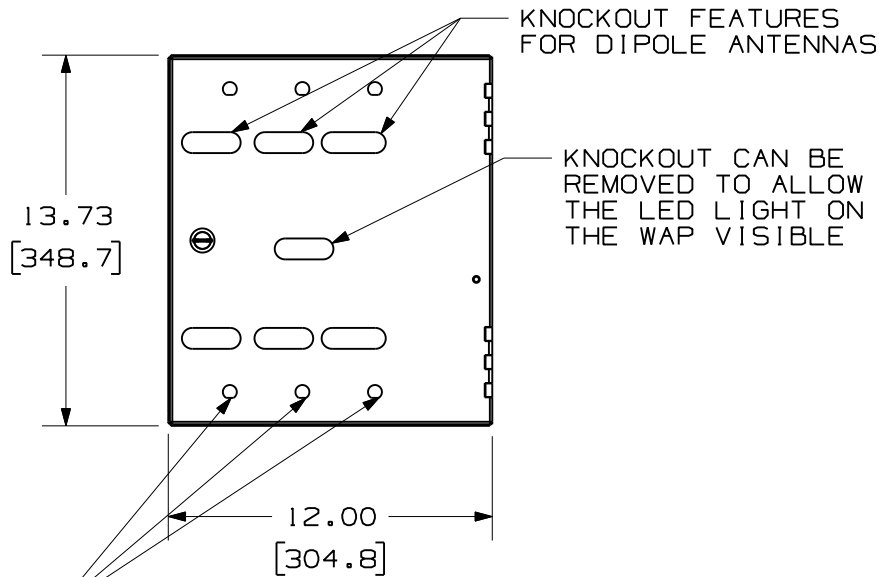
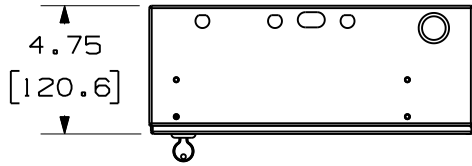


THIS COPY IS PROVIDED ON A RESTRICTED BASIS AND IS NOT TO BE USED IN ANY WAY DETRIMENTAL TO THE INTERESTS OF PANDUIT CORP.

PANDUIT P/N	WEIGHT
PZWIFIEN	5.2 LB/EACH PC (2358.7 g/EACH PC)



NOTES:

- SEE CURRENT CATALOG FOR ADDITIONAL PART NUMBER SUFFIXES TO INDICATE COLOR AND OR PACKAGE QUANTITY.
- SEE CATALOG FOR COMPLETE LIST OF PARTS APPLICABLE FOR USE WITH THIS PART.
- DIMENSIONS IN PARENTHESES ARE IN METRIC.
- PART INCLUDES:
 - 1- ENCLOSURE
 - 1- FOAM RETENSION COVER
 - 4- FIRE RESISTANT FOAM
 - 26"- EDGE GROMMET
 - 1- CAT TX 6 PLUS JACK (CJ688TGWH)
 - 1- 2 POSITION SURFACE MOUNT BOX (CBXJ2WH-A)
 - 1- 2FT TX6 PLUS PATCH CORD (UTPSP2)
 - 1- GROUNDING WIRE WITH HARDWARE
 - 2- CABLE TIE MOUNTS (ABMM-A-C)
 - 4- PAN-TY (PLT1.5-C)
 - 4- #10-32 THREAD CUTTING SCREWS (00001-132)
- THE DESIGN OF THIS ENCLOSURE HAS BEEN OPTIMIZED FOR THE CISCO AIRONET 1250 SERIES WIRELESS ACCESS POINT.

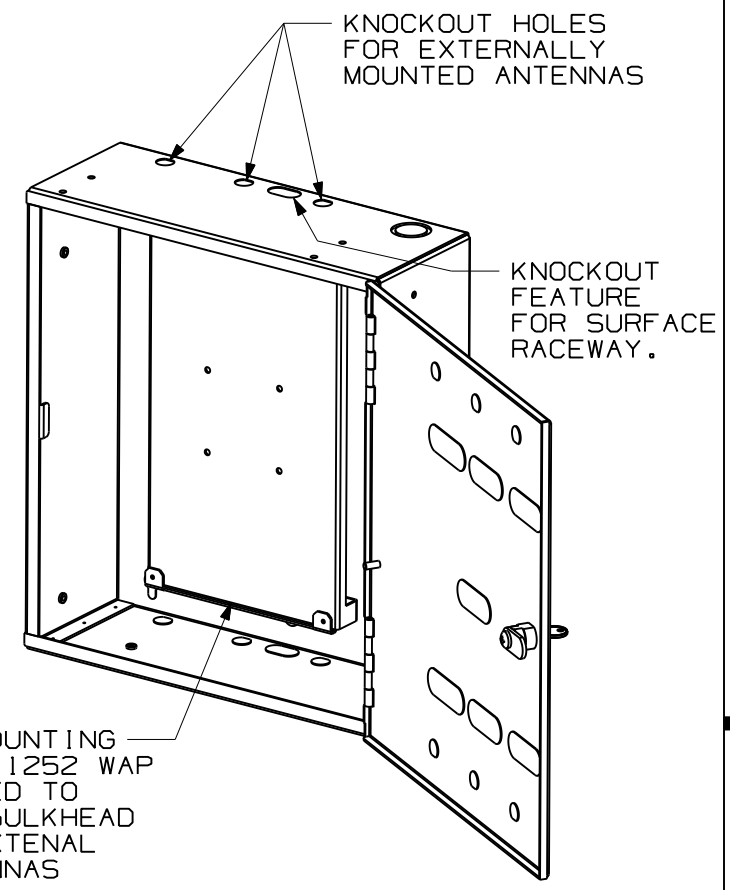
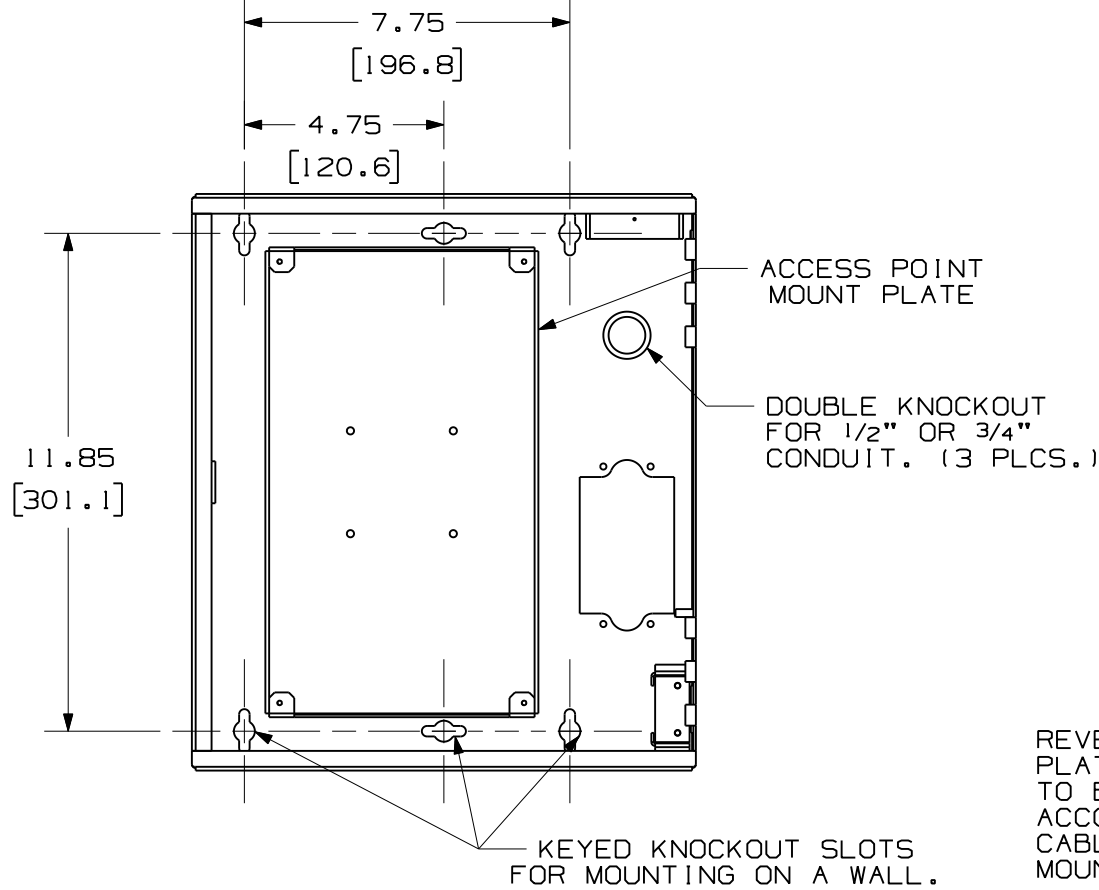
MODEL FILENAME	V10609AA/02.prt	SIZE	A
DRAWING FILENAME	V10609AA_DC/02A.prt		

PANZONE™ WIRELESS ENCLOSURE W/CONNECTIVITY KIT (PZWIFIEN) CUSTOMER DRAWING

<p>PANDUIT™ CORP. TINLEY PARK, ILL 60477</p>	I.I. NUMBER	N/A
	PRODUCT SPEC	N/A
<p>THIRD ANGLE PROJECTION</p>	WORK INSTRUCTION	N/A
	SCALE	NONE
DRAWN BY	MATERIAL:	PART NO.
RYB	.063" 5052 ALUMINUM	PZWIFIEN
DATE		DRAWING NO.
2/18/08		V10609AA_DC
CHK'D		SHEET 1 OF 2

REV	DATE	BY	CHK	DESCRIPTION	ECN	R	CUST	SUP	OTH
02A	2/18/08	RYB		RELEASED TO QUOTE	V10609AA-DC				

THIS COPY IS PROVIDED ON A RESTRICTED BASIS AND IS NOT TO BE USED IN ANY WAY DETRIMENTAL TO THE INTERESTS OF PANDUIT CORP.



COVER REMOVED FOR CLARITY.

MODEL FILENAME	V10609AA/02.prt	SIZE	A
DRAWING FILENAME	V10609AA_DC/02A.prt		

PANZONE™ WIRELESS ENCLOSURE W/CONNECTIVITY KIT (PZWIFIEN) CUSTOMER DRAWING

<p>PANDUIT™ CORP. TINLEY PARK, ILL 60477</p>	I.I. NUMBER	N/A
	PRODUCT SPEC	N/A
<p>THIRD ANGLE PROJECTION</p>	WORK INSTRUCTION	N/A
	SCALE	NONE
DRAWN BY RYB	MATERIAL:	PART NO. PZWIFIEN
DATE 2/18/08	SEE SHEET 1	DRAWING NO. V10609AA_DC SHEET 2 OF 2

REV	DATE	BY	CHK	DESCRIPTION	ECN	R	CUST	SUP	OTH
02A	2/18/08	RYB		SEE SHEET 1 OF 2	V10609AA_DC				