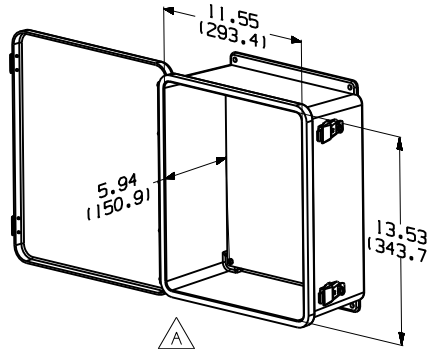
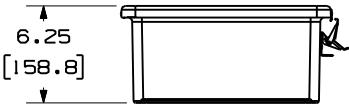
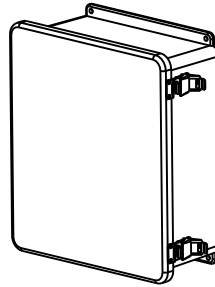
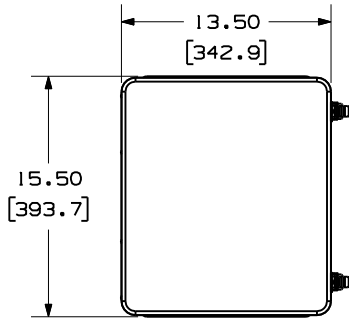


THIS COPY IS PROVIDED ON A RESTRICTED BASIS AND IS NOT TO BE USED IN ANY WAY DETRIMENTAL TO THE INTERESTS OF PANDUIT CORP.



PANDUIT P/N	WEIGHT
PZNWE14	10.2 LB/EACH PC
PZNWE14S	(4626.6 g/EACH PC)

NOTES:

- SEE CURRENT CATALOG FOR ADDITIONAL PART NUMBER SUFFIXES TO INDICATE COLOR AND OR PACKAGE QUANTITY.
- SEE CATALOG FOR COMPLETE LIST OF PARTS APPLICABLE FOR USE WITH THIS PART.
- DIMENSIONS IN PARENTHESES ARE IN METRIC.
- PART INCLUDES:
 - 1- ENCLOSURE (FIBERGLASS)
 - 1- ALUMINUM MOUNTING PLATE - 10.88" X 12.88"
 - 1- MOUNT TEMPLATE
 - 1- NEMA CONNECTIVITY / HARDWARE KIT CONTAINING:
 - 1- CAT TX 6 PLUS JACK (PZNWE14)
 - 1- CAT TX 6 PLUS SHIELDED JACK (PZNWE14S)
 - 1- 2 POSITION SURFACE MOUNT BOX (CBXJ2WH-A)
 - 1- 2FT TX6 PLUS PATCH CORD (PZNWE14)
 - 1- 1M STP TX6 PLUS PATCH CORD (PZNWE14S)
 - 2- CABLE TIE MOUNTS (ABMM-A-C)
 - 4- PAN-TY (PLT1.5-C)
 - 1- SILICONE SEAL PACK
 - 6- #10 SELF TAPPING SCREW
 - 2 -#6 FLAT HEAD SCREW

DRAWING FILENAME	V10396AB_DC_00B.prt (1)	SIZE	A
------------------	-------------------------	------	---

PANZONE™ NEMA 4X / IP66 RATED
WIFI ENCLOSURE CUSTOMER DRAWING

<p>PANDUIT™ CORP. TINLEY PARK, ILL 60477</p>	1.1. NUMBER	N/A
	PRODUCT SPEC	N/A
<p>THIRD ANGLE PROJECTION</p>	WORK INSTRUCTION	N/A
	SCALE	NONE
<p>ALL DIMENSIONS ARE GIVEN IN INCHES, UNLESS OTHERWISE SPECIFIED.</p> <p>DIMENSIONAL TOLERANCES ARE: (.X) ± (.XXX) ± .010(.3) (.XX) ± .031(.8) ANGLES ±</p>	MATERIAL	FIBERGLASS
<p>DRAWN BY RYB</p> <p>DATE 11/14/06</p> <p>CHK'D BAS</p>	PART NO.	PZNWE 14 PZNWE 14S
	DRAWING NO.	10396-06

REV	DATE	BY	CHK	DESCRIPTION	ECN	R	CUST	SUP	OTH
01	1/16/07	RYB		A. ADDED INTERNAL VIEW & DIMS	10396-06				
00	11/14/06	RYB	BAS	RELEASED TO PRODUCTION	10396-06	BAS	BAS	BAS	BAS