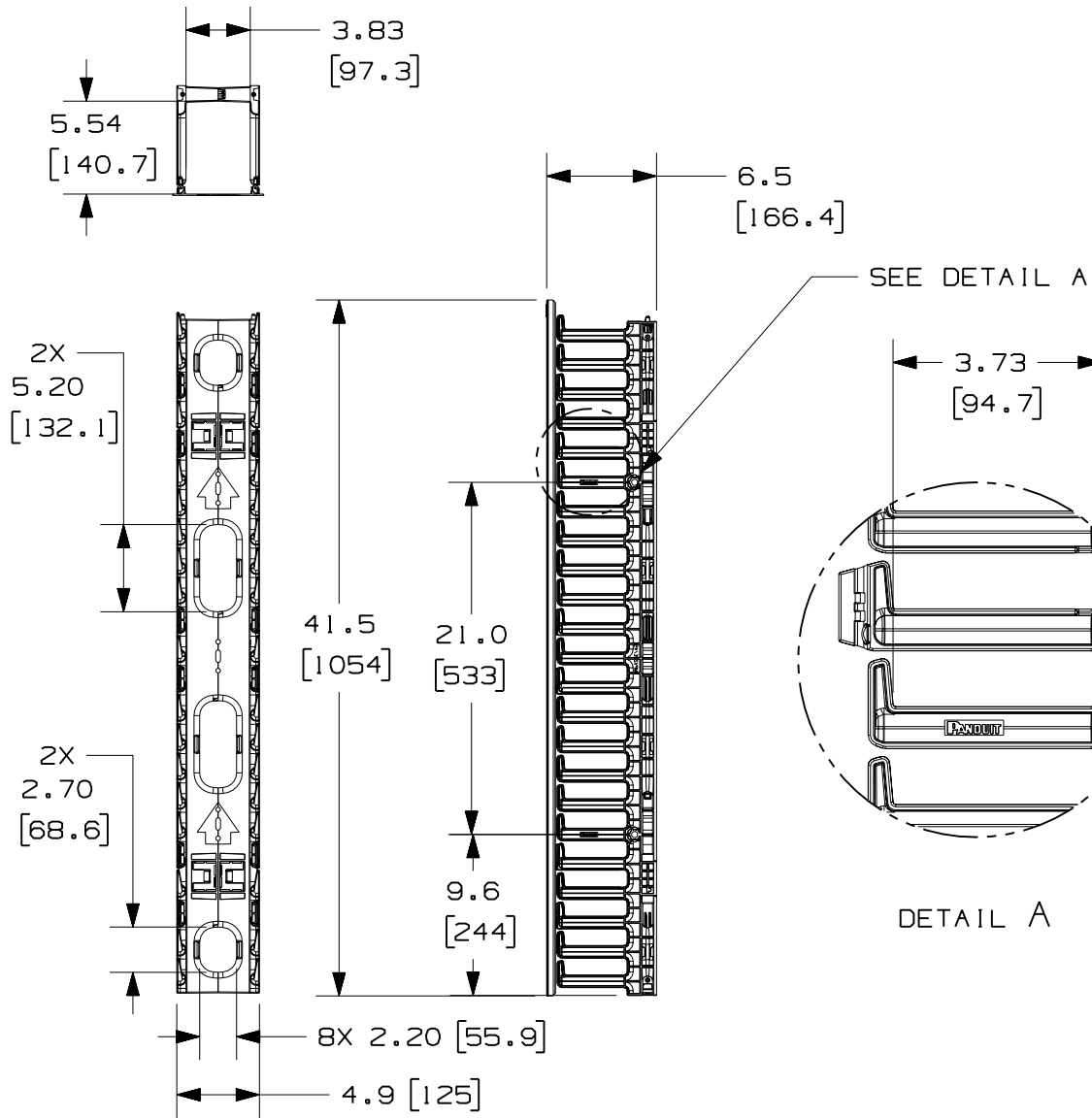


THIS COPY IS PROVIDED ON A RESTRICTED BASIS AND IS NOT TO BE USED IN ANY WAY DETRIMENTAL TO THE INTERESTS OF PANDUIT CORP.

PANDUIT P/N	WEIGHT
WMPVF22E	8.0 LBS/EACH 3.63 Kg/EACH

NOTES:

- VISIT OUR ON-LINE CATALOG AT WWW.PANDUIT.COM FOR A CURRENT LIST OF PRODUCTS APPLICABLE FOR USE WITH THIS PART.
- COMPONENTS:
 - 22.5RU FRONT ONLY CABLE MANAGEMENT SECTIONS
 - 41.5" LONG COVER
 - CABLE RETAINERS
 - MOUNTING BRACKETS
 - #12-24 X 1/2" SCREWS
- DIMENSIONS IN PARENTHESIS ARE METRIC.



MODEL FILENAME: V10225AF_WMPVF22E_ASSY_02.PRT
 CAD FILENAME/LAYERS: V10225AF_DC_02B.PRT

PANDUIT CORP. TINLEY PARK, ILLINOIS

4" WIDE FRONT ONLY VERTICAL CABLE MANAGER
 WMPVF22E
 CUSTOMER DRAWING

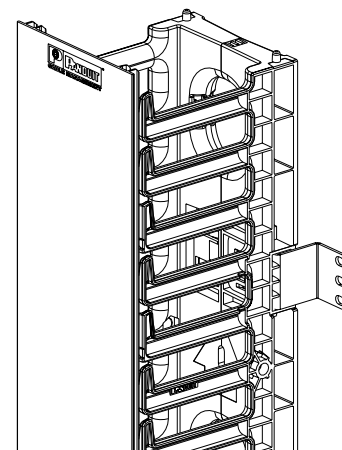
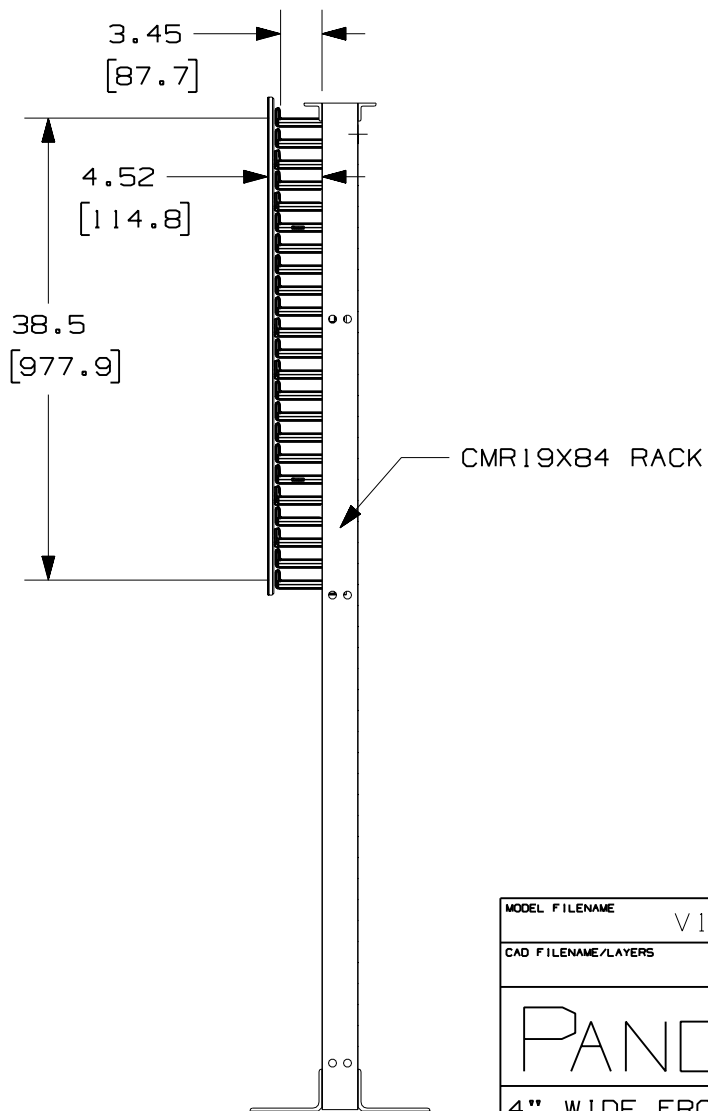
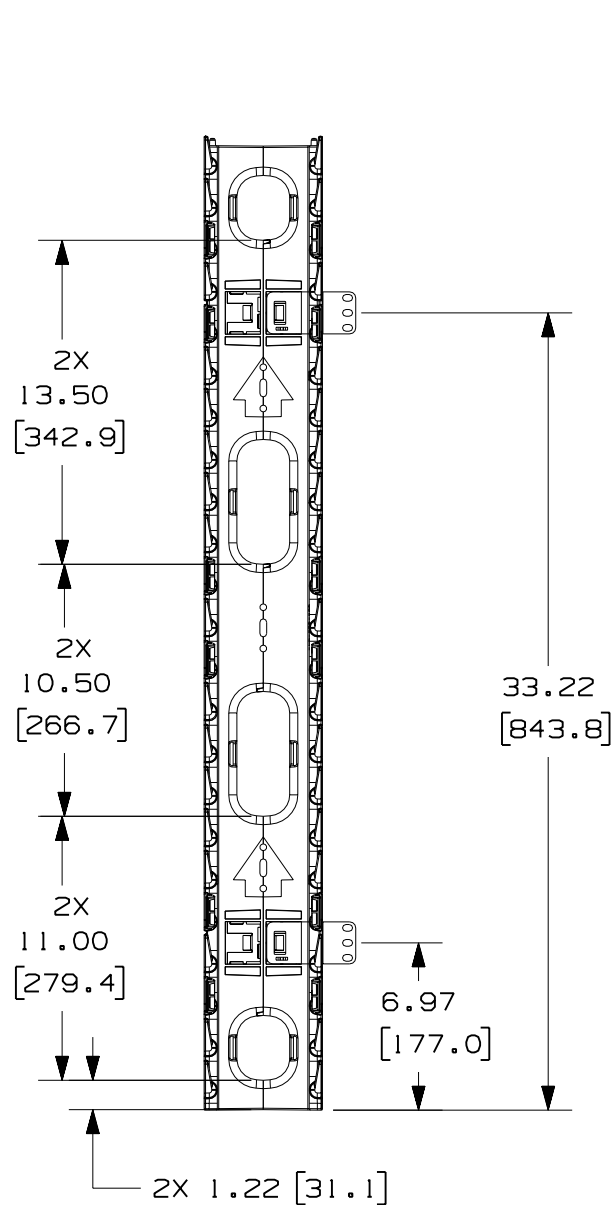
UNLESS OTHERWISE SPECIFIED,
 DIMENSIONAL TOLERANCES ARE:
 (.X) ± .03 (.XXX) ± .005
 (.XX) ± .015 ANGLES ± 1°

UNLESS OTHERWISE SPECIFIED,
 ALL DIMENSIONS ARE GIVEN
 IN INCHES, THIRD ANGLE PROJECTION.

REV	DATE	BY	CHK	DESCRIPTION	ECN	R	CUST	SUP	OTH
01	6-24-05	JDWE		A. REMOVED METRIC SCREWS.	10225-28				
00	3-15-05	JDWE	MWH	RELEASED TO PRODUCTION	10225-28		RTSU		

DRAWN BY JDWE	MAT'L: CABLE MANAGER- ABS COVER- PVC CABLE RETAINER- POLYCARBONATE	SCALE NONE
DATE 3-15-05		DRAWING NO. 10225-28 SHEET 1 OF 2
CHK'D MWH		DWG A SIZE

THIS COPY IS PROVIDED ON A RESTRICTED BASIS AND IS NOT TO BE USED IN ANY WAY DETRIMENTAL TO THE INTERESTS OF PANDUIT CORP.



MODEL FILENAME	V10225AF_WMPVF22E_ASSY_02.PRT
CAD FILENAME/LAYERS	V10225AF_DC_02B.PRT
PANDUIT CORP. TINLEY PARK, ILLINOIS	
4" WIDE FRONT ONLY VERTICAL CABLE MANAGER WMPVF22E CUSTOMER DRAWING	

UNLESS OTHERWISE SPECIFIED,
DIMENSIONAL TOLERANCES ARE:
(.X) ± .03 (.XXX) ± .005
(.XX) ± .015 ANGLES ± 1°

UNLESS OTHERWISE SPECIFIED,
ALL DIMENSIONS ARE GIVEN
IN INCHES, THIRD ANGLE PROJECTION.

REV	DATE	BY	CHK	DESCRIPTION	ECN	R	CUST	SUP	OTH	DRAWN BY	MAT'L:	SCALE	DRAWING NO.	DWG SIZE
01	6-24-05	JDWE		SEE SHEET 1 OF 2 FOR REVISIONS	10225-28					JDWE	CABLE MANAGER- ABS	NONE	10225-28	A
00	3-15-05	JDWE	MWH	SEE SHEET 1 OF 2 FOR REVISIONS	10225-28					DATE 3-15-05	COVER- PVC		SHEET 2 OF 2	
										CHK'D MWH	CABLE RETAINER- POLYCARBONATE			