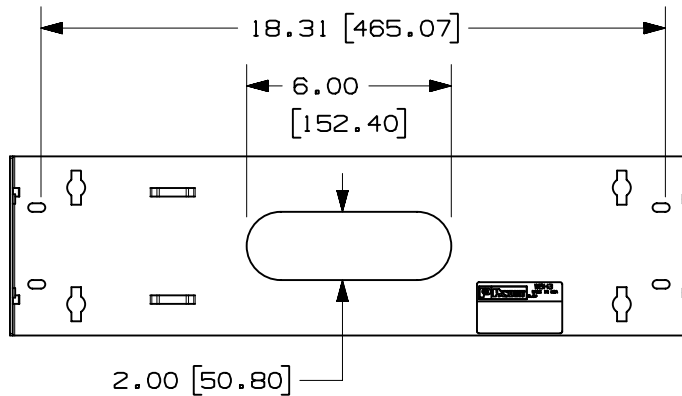
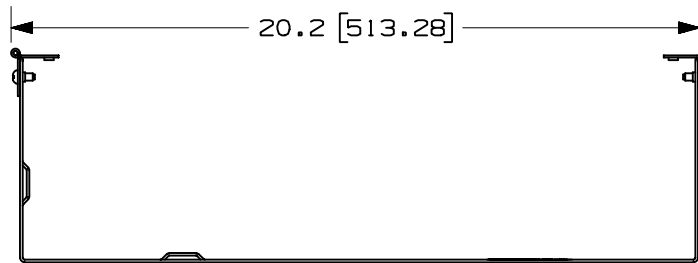
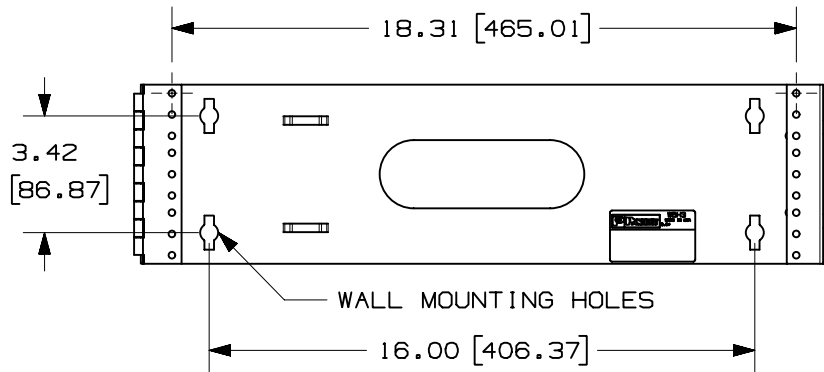


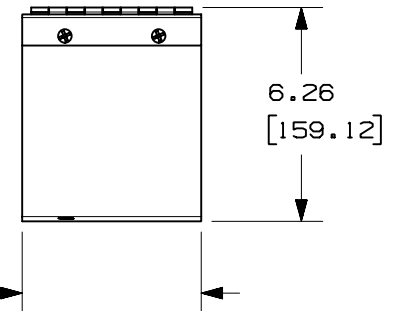
THIS COPY IS PROVIDED ON A RESTRICTED BASIS AND IS NOT TO BE USED IN ANY WAY DETRIMENTAL TO THE INTERESTS OF PANDUIT CORP.



PANDUIT P/N	WEIGHT
WBH3	3.72 LBS/EACH 1692 g/EACH

NOTES:

- VISIT OUR ON-LINE CATALOG AT WWW.PANDUIT.COM FOR A CURRENT LIST OF PRODUCTS APPLICABLE FOR USE WITH THIS PART.
- COMPONENTS:
1- WBH3
4- #12-24 X 1/2" SCREWS
- DIMENSIONS IN PARENTHESIS ARE METRIC.



MODEL FILENAME		D35331AB_WBH3_01.PRT	
CAD FILENAME/LAYERS		D35331AB_DC_01A.PRT	
<h1>PANDUIT</h1> CORP. TINLEY PARK, ILLINOIS			
<h2>WBH3 CUSTOMER DRAWING</h2>			
UNLESS OTHERWISE SPECIFIED, DIMENSIONAL TOLERANCES ARE:		UNLESS OTHERWISE SPECIFIED, ALL DIMENSIONS ARE GIVEN IN INCHES, THIRD ANGLE PROJECTION.	
(.X) ± .03 (.XX) ± .015		(.XXX) ± .005 ANGLES ± 1°	
DRAWN BY JDWE	MAT'L: STEEL - POWDER COATED BLACK	SCALE NONE	
DATE 10-28-03	CHK'D	DRAWING NO. 35331-28	DWG A SIZE

REV	DATE	BY	CHK	DESCRIPTION	ECN	R	CUST	SUP	OTH
R	10-28-03	JDWE		RELEASED TO PRODUCTION	35331-28				