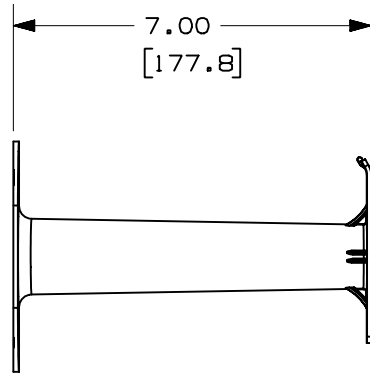
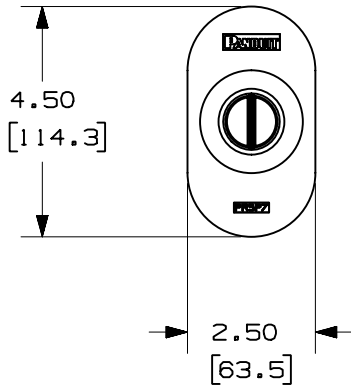
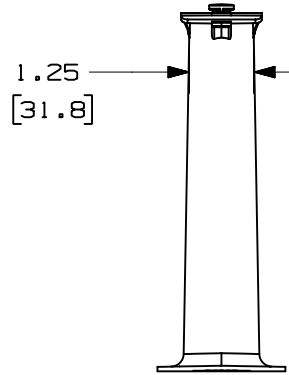


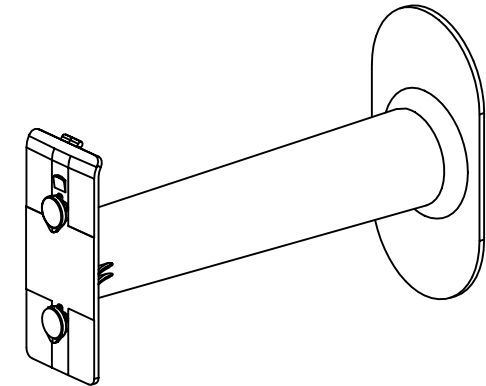
THIS COPY IS PROVIDED ON A RESTRICTED BASIS AND IS NOT TO BE USED IN ANY WAY DETRIMENTAL TO THE INTERESTS OF PANDUIT CORP.



PANDUIT PART NO.	WEIGHT
PRSP7	.18 LBS/EACH 81.6 g/EACH

NOTES:

- VISIT OUR ON-LINE CATALOG AT WWW.PANDUIT.COM FOR A CURRENT LIST OF PRODUCTS APPLICABLE FOR USE WITH THIS PART.
- DIMENSIONS IN PARENTHESIS ARE METRIC.



MODEL FILENAME V10197BB_PR_SPL_7_01.PRT

CAD FILENAME/LAYERS V10197BB_DC_01A.PRT

PANDUIT CORP. TINLEY PARK, ILLINOIS

7" LONG PATCHRUNNER SPOOL
CUSTOMER DRAWING

UNLESS OTHERWISE SPECIFIED, DIMENSIONAL TOLERANCES ARE:
 INCHES +/- 0.03 [METRIC - MILLIMETER] ANGLE
 X.X +/- 0.015 X.X +/- 0.4 +/- 1°
 X.XXX +/- 0.005 X.XX +/- 0.13

UNLESS OTHERWISE SPECIFIED,
 ALL DIMENSIONS ARE GIVEN
 IN INCHES, THIRD ANGLE PROJECTION.

DRAWN BY JDWE

MAT'L:

SCALE NONE

REV	DATE	BY	CHK	DESCRIPTION	ECN	R	CUST	SUP	OTH
R	5-18-04	JDWE		RELEASED TO PRODUCTION	10197-04				

DATE 5-18-04

POLYCARBONATE

DRAWING NO.

10197-04

DWG
A
SIZE