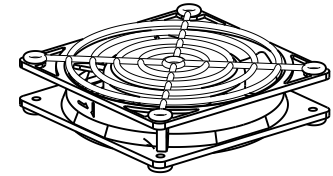
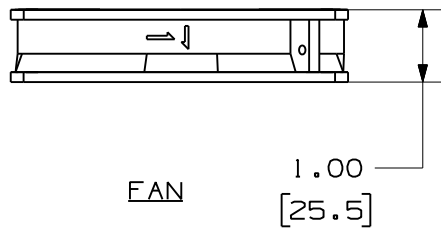
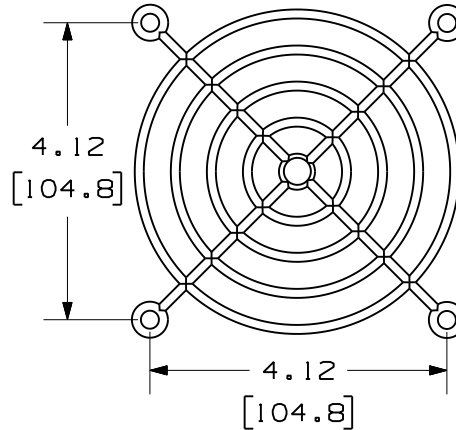
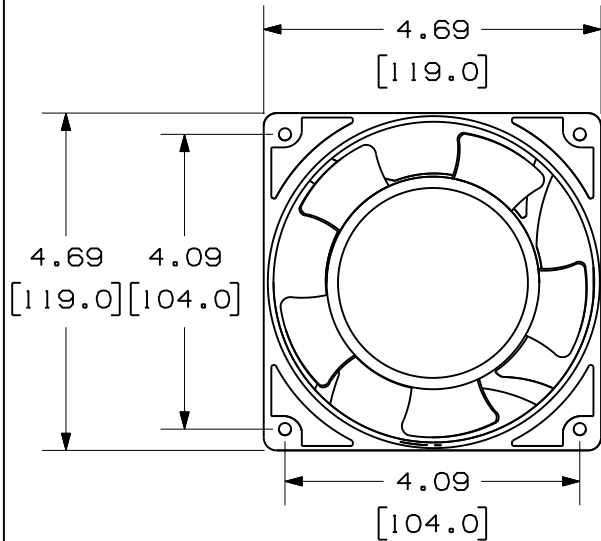


THIS COPY IS PROVIDED ON A RESTRICTED BASIS AND IS NOT TO BE USED IN ANY WAY DETRIMENTAL TO THE INTERESTS OF PANDUIT CORP.

PANDUIT P/N	WEIGHT
PZAEFAN	2.05 LB/EACH PC (929.9 g/EACH PC)



NOTES:

- SEE CATALOG FOR COMPLETE LIST OF PARTS APPLICABLE FOR USE WITH THIS PART.
- DIMENSIONS IN PARENTHESES ARE IN METRIC.
- PART INCLUDES:
1- 4.68" FAN
2- FAN GUARD
1- WIRE HARNESS ASSEMBLY
4- MOUNTING SCREW
5- LOCK WASHER
4- HEX NUT
1- #8-32 SCREW
- FAN RATING:
VOLT- 115V AC
CFM- 61CFM

MODEL FILENAME	M01247AR/01	SIZE	A
DRAWING FILENAME	M01247AR_DC/01A		

4.68^W, 61CFM, 115V AC FAN FOR
PANZONE™ ACTIVE ENCLOSURE
CUSTOMER DRAWING

<p>PANDUIT™ CORP. TINLEY PARK, ILL 60477</p>	I.I. NUMBER	N/A
	PRODUCT SPEC	N/A
<p>THIRD ANGLE PROJECTION</p>	WORK INSTRUCTION	N/A
	SCALE	NONE
DRAWN BY JsP	MATERIAL:	PART NO. PZAEFAN
DATE 12-17-03	FAN HOUSING: CAST ALUMINUM FAN BLADES: PBT FAN GUARD: CHROME PLATED STEEL	DRAWING NO. 01247-47
CHK'D		

REV	DATE	BY	CHK	DESCRIPTION	ECN	R	CUST	SUP	OTH
01A	1-13-09	BAME	RyB	UPDATED PART COMPONENTS	01247-47				
R	12-17-03	JsP		RELEASED TO PRODUCTION	01247-47				