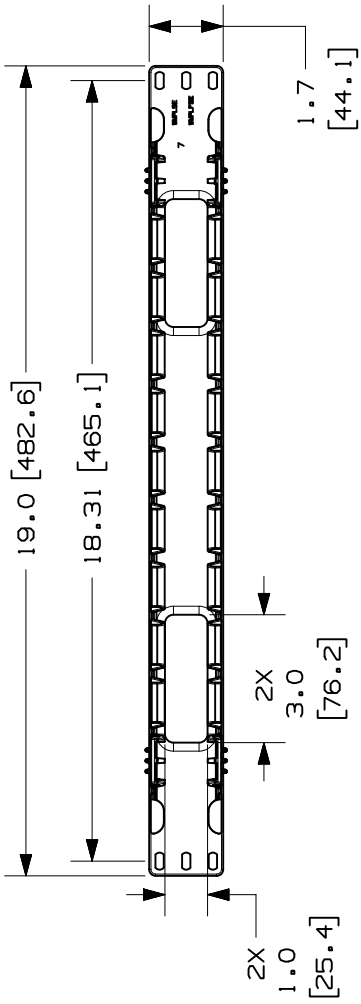
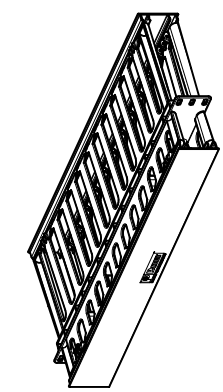
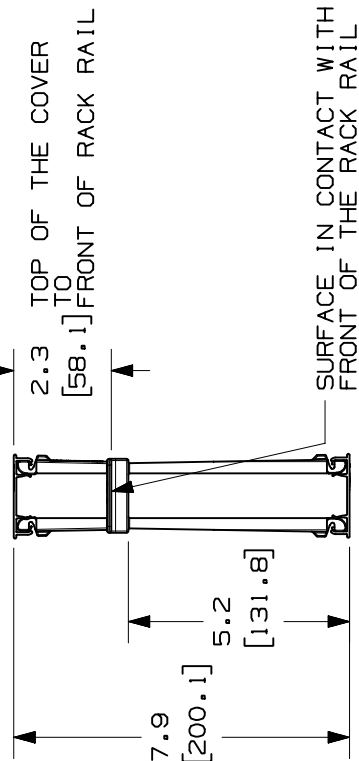
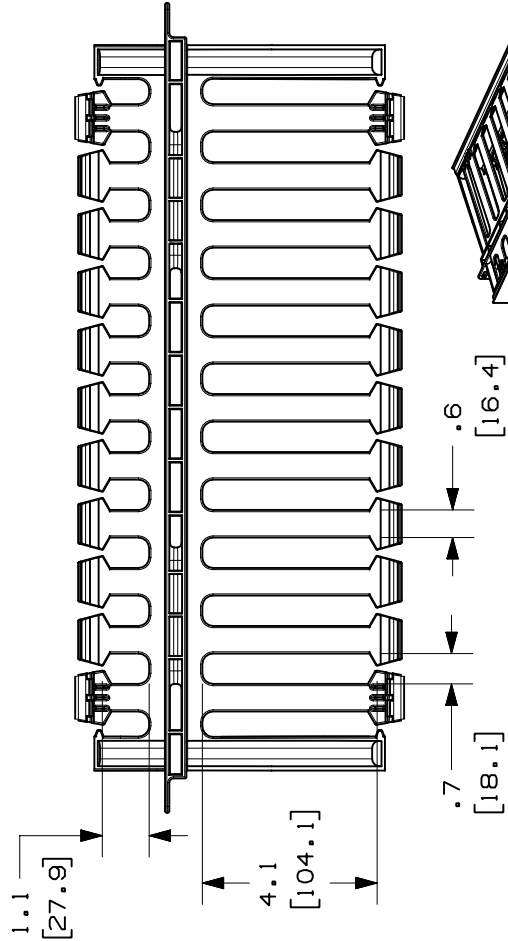


THIS COPY IS PROVIDED ON A RESTRICTED BASIS AND IS NOT TO BE USED IN ANY WAY DETRIMENTAL TO THE INTERESTS OF PANDUIT CORP.



PANDUIT P/N	WEIGHT
WMPLSE	1.9 LBS/EACH 862 g/EACH

- NOTES:
- DESIGNED FOR MOUNTING ON 19" EIA RACKS.
 - COMPONENTS:
 - MANAGER
 - 17" LONG HINGED COVERS
 - #12-24 x 1/2" SCREWS
 - M6 METRIC SCREWS
 - STRAIN RELIEF CLIPS
 - DIMENSIONS IN PARENTHESES ARE METRIC.



MODEL FILENAME V10101LS_WMPLS_03.PRT
 CAD FILENAME/LAYERS V10101LS_DC_03A.PRT

PANDUIT CORP. TINLEY PARK, ILLINOIS
 WMPLSE HORIZONTAL MANAGER
 CUSTOMER DRAWING

REV	DATE	BY	CHK	DESCRIPTION	ECN	R	CUST	SUP	OTH
1	12-29-04	TKW		A. ADDED DIMENSION FROM TOP OF THE COVER TO FRONT OF RACK RAIL.	10101-22				
R	12-17-02	JDWE/MECA		RELEASED TO PRODUCTION	10101-22		RTSU	RTSU	

UNLESS OTHERWISE SPECIFIED, DIMENSIONAL TOLERANCES ARE: (.XX) ± .03 (XXX) ± .005 (.XX) ± .015 ANGLES ± 1°		UNLESS OTHERWISE SPECIFIED, ALL DIMENSIONS ARE GIVEN IN INCHES, THIRD ANGLE PROJECTION.	
DRAWN BY JDWE	MAT'L S ABS	SCALE NONE	DWG A
DATE 12-17-02	CHK'D MECA	DRAWING NO. 10101-22	SIZE A