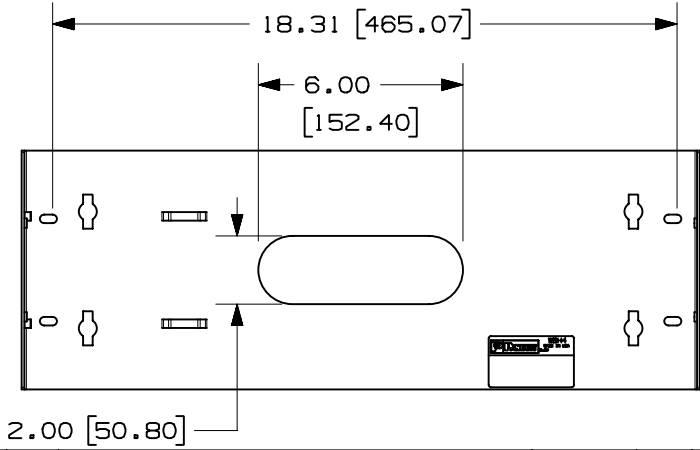
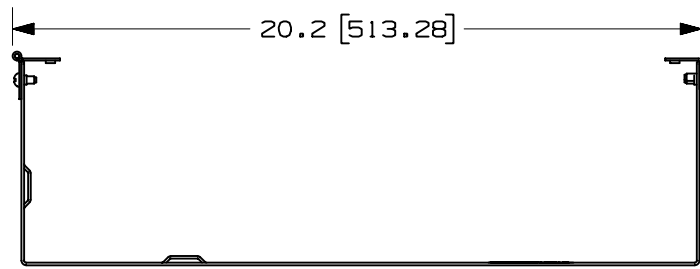
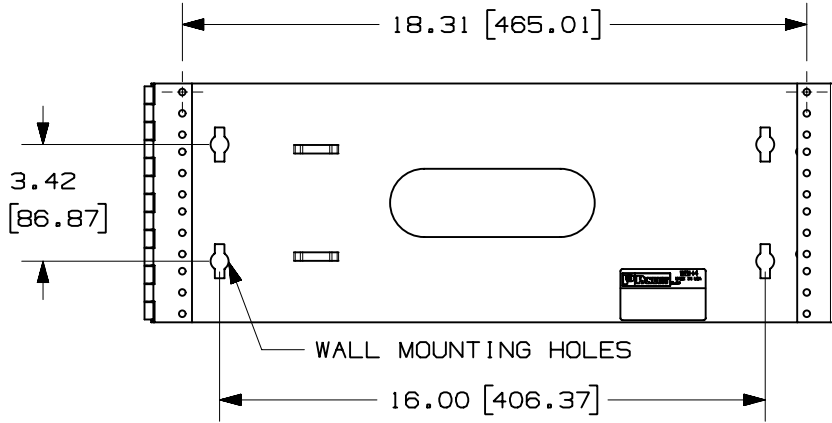


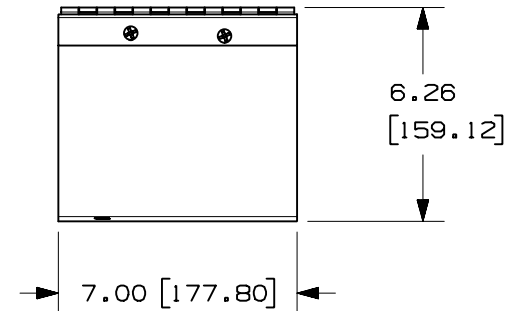
THIS COPY IS PROVIDED ON A RESTRICTED BASIS AND IS NOT TO BE USED IN ANY WAY DETRIMENTAL TO THE INTERESTS OF PANDUIT CORP.



| PANDUIT P/N | WEIGHT |
|-------------|-----------------------------|
| WBH4 | 6.5 LBS/EACH 2948 g/EACH |

NOTES:

- VISIT OUR ON-LINE CATALOG AT WWW.PANDUIT.COM FOR A CURRENT LIST OF PRODUCTS APPLICABLE FOR USE WITH THIS PART.
- COMPONENTS:
1- WBH4
4- #12-24 X 1/2" SCREWS
- DIMENSIONS IN PARENTHESIS ARE METRIC.



| | | | |
|---|---------------------------------------|---|------------------|
| MODEL FILENAME | | D35331AC_WBH4_01.PRT | |
| CAD FILENAME/LAYERS | | D35331AC_DC_01A.PRT | |
| <h1>PANDUIT</h1> CORP. TINLEY PARK, ILLINOIS | | | |
| <h2>WBH4 CUSTOMER DRAWING</h2> | | | |
| UNLESS OTHERWISE SPECIFIED, DIMENSIONAL TOLERANCES ARE: | | UNLESS OTHERWISE SPECIFIED, ALL DIMENSIONS ARE GIVEN IN INCHES, THIRD ANGLE PROJECTION. | |
| (.X) ± .03 (.XXX) ± .005 (.XX) ± .015 ANGLES ± 1° | | | |
| DRAWN BY JDWE | MAT'L: STEEL - POWDER COATED BLACK | SCALE NONE | |
| DATE 10-28-03 | CHK'D | DRAWING NO. 35331-27 | DWG SIZE A |

| REV | DATE | BY | CHK | DESCRIPTION | ECN | R | CUST | SUP | OTH |
|-----|----------|------|-----|------------------------|----------|---|------|-----|-----|
| R | 10-28-03 | JDWE | | RELEASED TO PRODUCTION | 35331-27 | | | | |