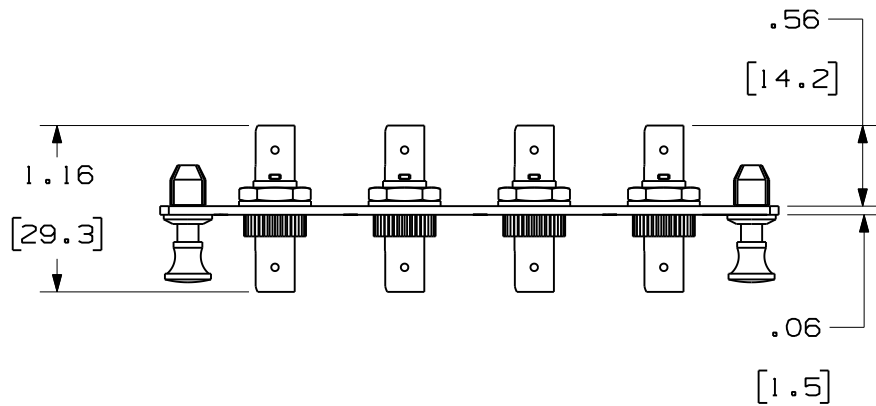
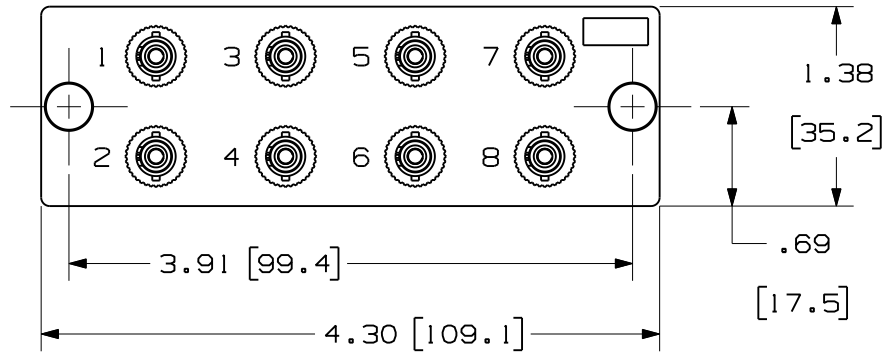


THIS COPY IS PROVIDED ON A RESTRICTED BASIS AND IS NOT TO BE USED IN ANY WAY DETRIMENTAL TO THE INTERESTS OF PANDUIT CORP.



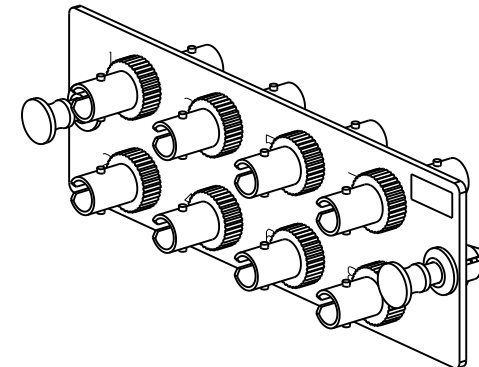
DUST CAPS NOT SHOWN FOR CLARITY



PANDUIT P/N	DUST CAP COLOR	SPLIT SLEEVE TYPE
FAP8WST	YELLOW	PHOS BRONZE
FAP8WSTZ	RED	ZIRCONIA

NOTES:

- SEE CURRENT CATALOG FOR PART NUMBER SUFFIXES TO INDICATE COLOR AND/OR PACKAGE QUANTITIES.
- SEE CATALOG FOR COMPLETE LIST OF PARTS APPLICABLE FOR USE WITH THIS PRODUCT.
- MATERIALS:
  - PLATE: C.R.S. POWDER COATED
  - ADAPTER: METALLIC BODY
  - SPLIT SLEEVE: SEE TABLE ABOVE
  - ALL MATERIALS AND COMPONENTS USED MEET THE MATERIAL RESTRICTIONS OF RoHS, (EUROPEAN DIRECTIVE 2002/95/EC ON THE RESTRICTION OF HAZARDOUS SUBSTANCES) AS PROPOSED BY THE RoHS TECHNICAL ADAPTATION COMMITTEE.
- DIMENSIONS IN BRACKETS ARE METRIC.



REV	DATE	BY	CHK	DESCRIPTION	ECN	R	CUST	SUP	OTH
R	03-31-11	MC	MTV	RELEASED TO PRODUCTION	01945-149	MTV	TCB		

8 POSITION  
ST FIBER ADAPTER PANEL  
CUSTOMER DRAWING

**PANDUIT**™  
CORP.  
TINLEY PARK, ILL 60477

 <small>THIRD ANGLE PROJECTION</small>	ALL DIMENSIONS ARE GIVEN IN INCHES, UNLESS OTHERWISE SPECIFIED. DIMENSIONAL TOLERANCES ARE: (.X) ±.03   (.XXX) ±.010   (0.3) ANGLES	DRAWING FILENAME MO1945AC_DC/00A SCALE NONE
DRAWN BY MC	REVIEW DRAWING NUMBERS	PART NO. SEE TABLE
DATE 09-14-10	CHK'D MTV	DRAWING NO. 01945-149 SIZE A