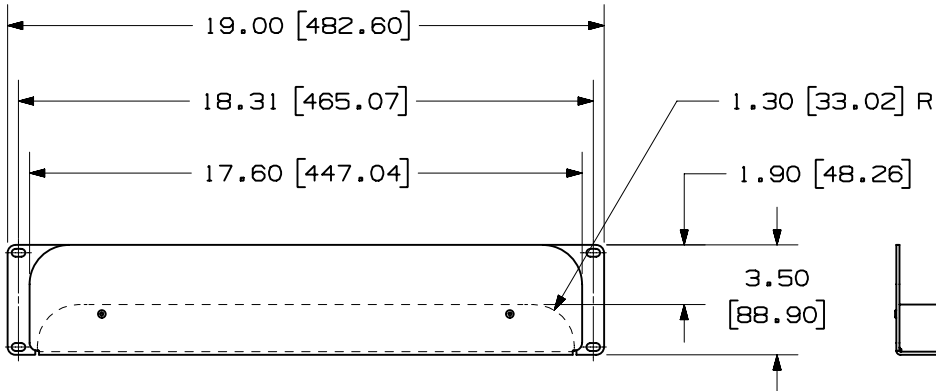
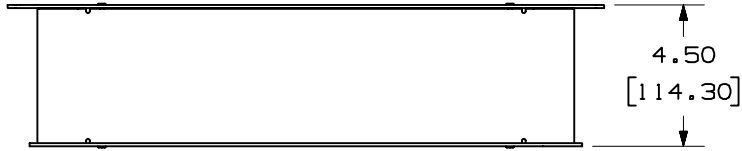


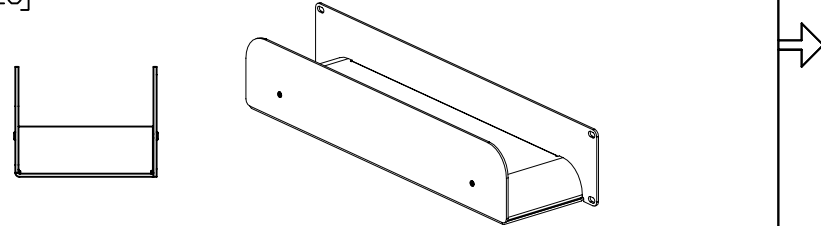
THIS COPY IS PROVIDED ON A RESTRICTED BASIS AND IS NOT TO BE USED IN ANY WAY DETRIMENTAL TO THE INTERESTS OF PANDUIT CORP.

NOTES:

1. SEE CATALOG FOR COMPLETE LIST OF PARTS APPLICABLE FOR USE WITH THIS PART.
2. DIMENSIONS IN PARENTHESES ARE IN METRIC.
3. MATERIAL: .10 THICK ALUMINUM
4. FINISH: BLACK POWDER COAT.
5. TROUGH IS DESIGNED TO FIT STANDARD "EIA" AND "WECO" RACK SPACING.



| PANDUIT P/N | WEIGHT |
|-------------|--------------------------------|
| CMUT19 | 2.38 LB/1 PC (1,184 g/1 PC) |



| | | | |
|--|------------|---|------------------|
| CAD FILENAME/LAYERS | | M00852AC_DC_00A.PRT | |
| PANDUIT CORP. TINLEY PARK, ILLINOIS | | | |
| CABLE MANAGEMENT UPPER TROUGH 19" CUSTOMER DRAWING | | | |
| UNLESS OTHERWISE SPECIFIED, DIMENSIONAL TOLERANCES ARE: (.X) ± (.XXX) ± .010 (.3) (.XX) ± .03 (.8) ANGLES ± | | UNLESS OTHERWISE SPECIFIED, ALL DIMENSIONS ARE GIVEN IN INCHES, THIRD ANGLE PROJECTION. | |
| DRAWN BY AFW | MAT'L: | SCALE NONE | |
| DATE 05-04-00 | CHECKED BY | DRAWING NO. 00852-32 | DWG SIZE A |

| REV | DATE | BY | CHK | DESCRIPTION | ECN | CHK | CUST | SUP |
|-----|----------|-----|-----|-------------------------|-----|-----|------|-----|
| R | 05-04-00 | AFW | | RELEASED TO PRODUCTION. | | | | |