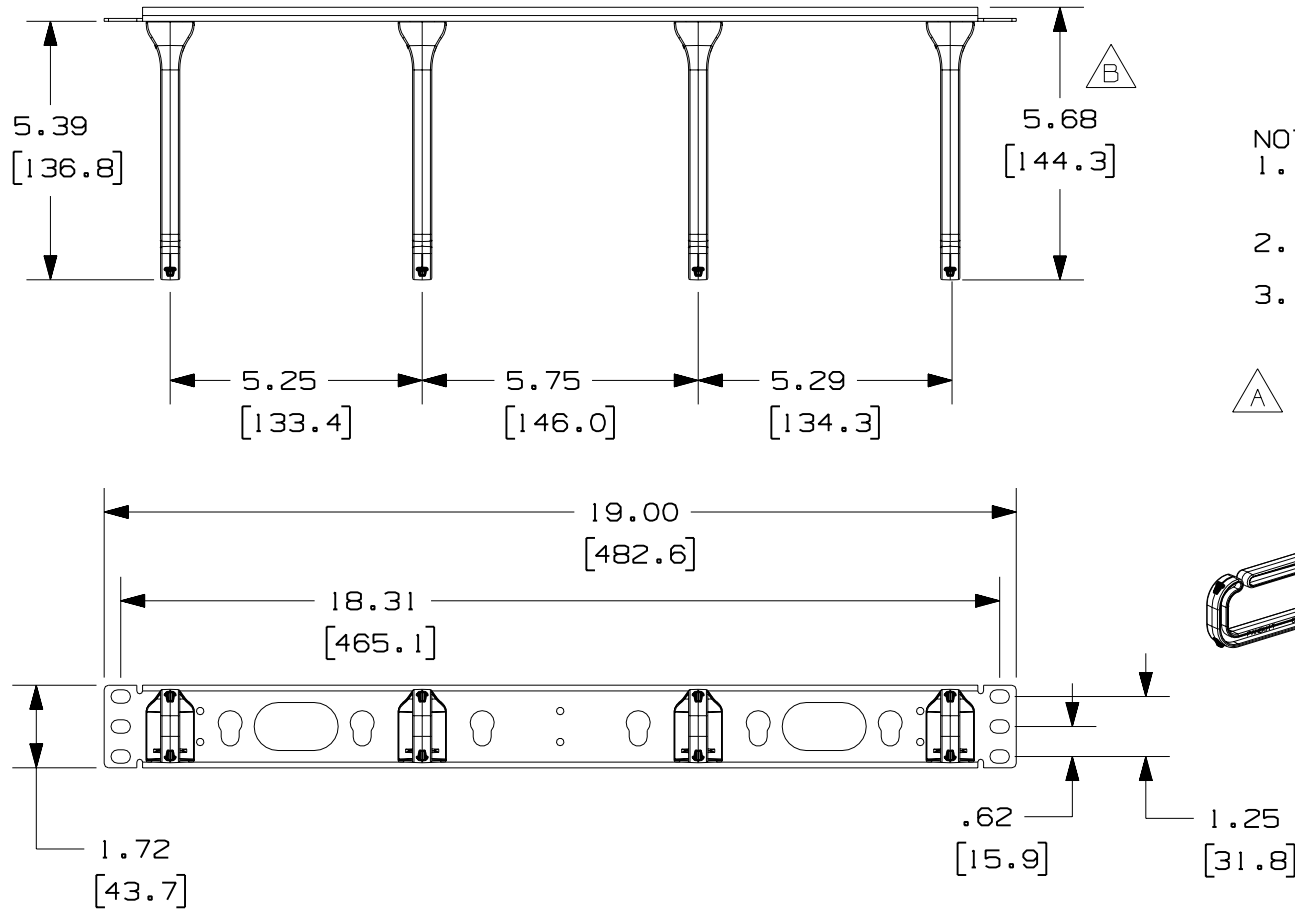
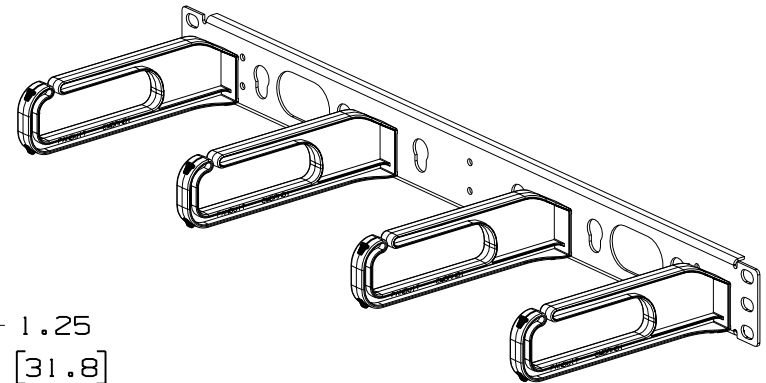


THIS COPY IS PROVIDED ON A RESTRICTED BASIS AND IS NOT TO BE USED IN ANY WAY DETRIMENTAL TO THE INTERESTS OF PANDUIT CORP.



PANDUIT P/N	WEIGHT
CMPHHF1	7.03 LB/10 PCS (3187.4 g/10 PCS)

- NOTES:
- SEE CATALOG FOR COMPLETE LIST OF PARTS APPLICABLE FOR USE WITH THIS PART.
  - DIMENSIONS IN PARENTHESES ARE IN METRIC.
  - PARTS INCLUDED:
    - 4 - D-RINGS
    - 1 - STAMPING
    - 4 - 12-24 SCREWS
    - 4 - M6 METRIC SCREWS



CAD FILENAME/LAYERS M00671AF\_DC\_00D.PRT

**PANDUIT** CORP. TINLEY PARK, ILLINOIS

OPEN CABLE MANAGEMENT PANEL  
HORIZONTAL HIGH DENSITY (CMPHHF1)  
CUSTOMER DRAWING

REV	DATE	BY	CHK	DESCRIPTION	ECN	CHK	CUST	SUP
3	2-19-07	MLVO		B. ADDED DIMENSION.	00671-14			
2	5-1-02	JDWE	KRKE	A. ADDED METRIC SCREWS.	00671-14	RTSU	RTSU	
1	12/27/99	SJA	DABE	00671-14 WAS 00671-10	00671-14	DABE	DABE	
R	12-17-99	SJA	DABE	RELEASED TO PRODUCTION.	00671-10	DABE	DABE	

UNLESS OTHERWISE SPECIFIED,  
DIMENSIONAL TOLERANCES ARE:  
(.X) ± (.XXX) ±.010(.3)  
(.XX) ±.03(.8) ANGLES ±

UNLESS OTHERWISE SPECIFIED,  
ALL DIMENSIONS ARE GIVEN  
IN INCHES, THIRD ANGLE PROJECTION.

DRAWN BY SJA

MAT'L:  
STAMPING- BLACK POWDER  
COATED C.R.S.

SCALE NONE

DATE 12-17-99

CHECKED BY DABE  
D-RINGS- BLACK PC

DRAWING NO. 00671-14  
DWG A  
SIZE