

THIS COPY IS PROVIDED ON A RESTRICTED BASIS AND IS NOT TO BE USED IN ANY WAY DETRIMENTAL TO THE INTERESTS OF PANDUIT CORP.

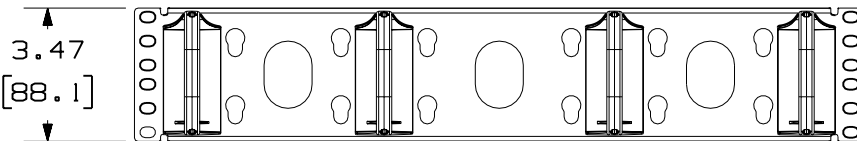
PANDUIT P/N	WEIGHT
CMPHF2	14.02 LB/10 PCS (6361.0g/10 PCS)

NOTES:

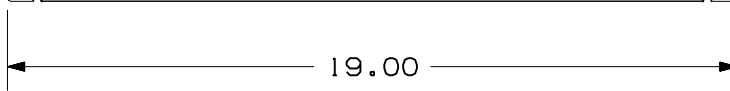
- SEE CATALOG FOR COMPLETE LIST OF PARTS APPLICABLE FOR USE WITH THIS PART.
- DIMENSIONS IN PARENTHESES ARE IN METRIC.
- PARTS INCLUDED:
 - △ B 4- D-RINGS
 - △ B 1- STAMPING
 - △ C 4- 12-24 SCREWS
 - △ C 4- M6 METRIC SCREWS



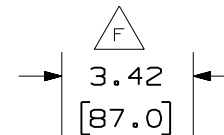
5.00 [127.0]
6.00 [152.4]
TYP



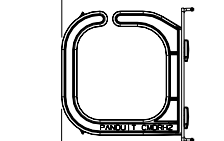
3.47 [88.1]



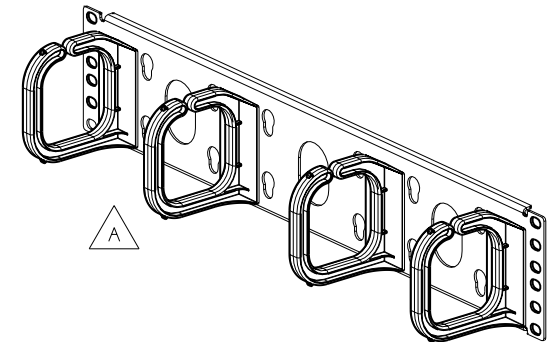
19.00 [482.6]



F
3.42 [87.0]



3.12 [79.4]



A

CAD FILENAME/LAYERS M00072AC_DC_02A.PRT

PANDUIT CORP. TINLEY PARK, ILLINOIS

OPEN CABLE MANAGEMENT PANEL
HORIZONTAL FRONT ONLY (CMPHF2)
CUSTOMER DRAWING

REV	DATE	BY	CHK	DESCRIPTION	ECN	CHK	CUST	SUP
3	2-19-07	MLVO		F. ADDED WIDTH DIMENSION.	00072-16			
2	5-1-02	JDWE	KRKE	E. UPDATED STAMPING. D. REMOVED NOTE 1. C. ADDED METRIC SCREWS.	00072-16	RTSU	RTSU	
1	10-11-99	KLGO	RLFR	B. ADDED PARTS INCLUDED A. UPDATED TO REFLECT NEW DESIGN	00072-16	CEF	CEF	
R	7-16-98	JSP	FJD	RELEASED TO PRODUCTION.	00072-16	FJD	FJD	

UNLESS OTHERWISE SPECIFIED,
DIMENSIONAL TOLERANCES ARE:
(.X) ± (.XXX) ± .010 (.3)
(.XX) ± .03 (.8) ANGLES ±

UNLESS OTHERWISE SPECIFIED,
ALL DIMENSIONS ARE GIVEN
IN INCHES, THIRD ANGLE PROJECTION.

DRAWN BY JSP
DATE 7-16-98
CHECKED BY FJD

MAT'L:
STAMPING - BLACK POWDER
COATED STEEL
RINGS - BLACK PC

SCALE NONE
DRAWING NO. 00072-16
DWG SIZE A