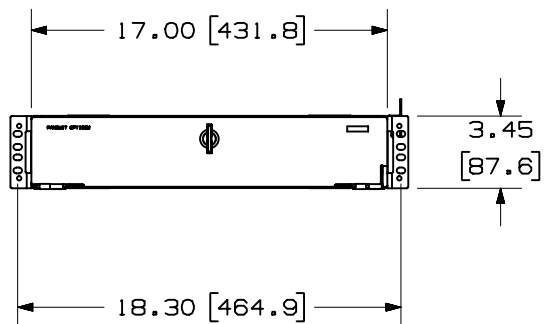
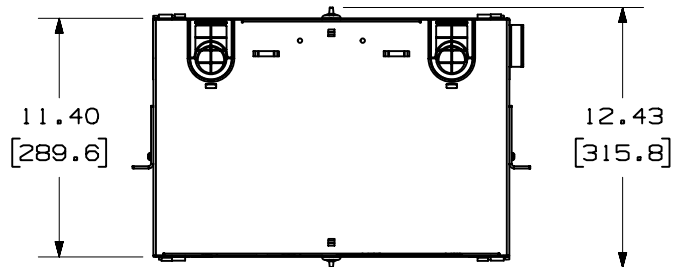


THIS COPY IS PROVIDED ON A RESTRICTED BASIS AND IS NOT TO BE USED IN ANY WAY DETRIMENTAL TO THE INTERESTS OF PANDUIT CORP.

PANDUIT P/N	WEIGHT
FRME72SBL	15.0 LB/EACH PC (6803.9g/EACH PC)



NOTES:

- SEE CATALOG FOR COMPLETE LIST OF PARTS APPLICABLE FOR USE WITH THIS PART.
- DIMENSIONS IN PARENTHESES ARE IN METRIC.
- ENCLOSURE FITS INTO A 19" OR 23" RACK SPACE.
- ENCLOSURE CAN BE MOUNTED FLUSH OR PROJECTED IN RACK OPENING.
- KIT CONTAINS (KIT INCLUDED WITH ENCLOSURE):
 - 5- PAN-TY CABLE TIES
 - 1- FRME STRAIN RELIEF KIT
 - 1- FIBER CAUTION LABEL
 - 1- FIBER LASER BEAM WARNING LABEL
 - 1- BAG OF (4) #12-24X.5" SCREWS
 - 2- 30" LENGTH OF SPIRAL WRAP
 - 1- BAG OF (8) #10-32X.5" PHILLIPS PAN HEAD SCREWS
 - 10- VELCRO CABLE TIES
 - 1- FASTENER KIT
- MATERIAL: 16 GAUGE GAVENNEALED C.R.S.

CAD FILENAME/LAYERS M00722AA_DC_00A.PRT

PANDUIT CORP. TINLEY PARK, ILLINOIS

FRME72SBL ASSEMBLY
(FRME72SBL) CUSTOMER DRAWING

UNLESS OTHERWISE SPECIFIED,
DIMENSIONAL TOLERANCES ARE:
(.X) ± (.XXX) ± .010 (.3)
(.XX) ± .03 (.8) ANGLES ±

UNLESS OTHERWISE SPECIFIED,
ALL DIMENSIONS ARE GIVEN
IN INCHES, THIRD ANGLE PROJECTION.

DRAWN BY
BAS

MAT'L:

SCALE
NONE

DATE
6-30-00

SEE
NOTES

DRAWING NO.
00722-27

DWG

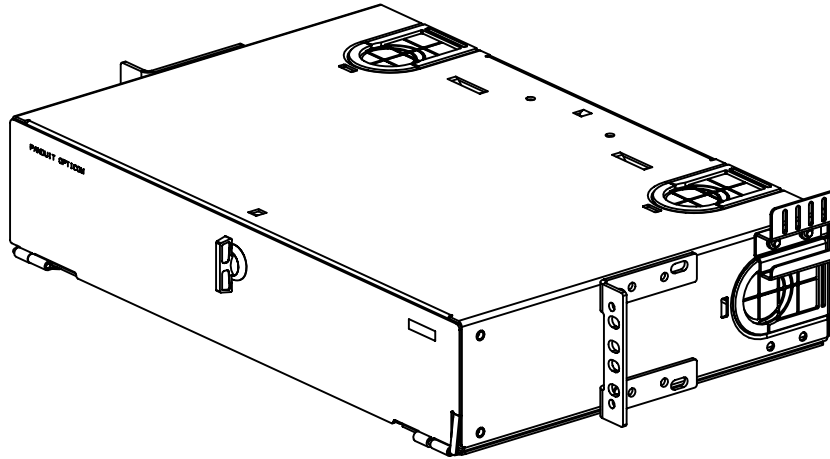
CHECKED BY

SHEET 1 OF 2

A
SIZE

REV	DATE	BY	CHK	DESCRIPTION	ECN	CHK	CUST	SUP
R	6-30-00	BAS		RELEASED TO PRODUCTION.	00722-27			

THIS COPY IS PROVIDED ON A RESTRICTED BASIS AND IS NOT TO BE USED IN ANY WAY DETRIMENTAL TO THE INTERESTS OF PANDUIT CORP.



CAD FILENAME/LAYERS M00722AA_DC_00A.PRT

PANDUIT CORP. TINLEY PARK, ILLINOIS
 FRME72SBL ASSEMBLY
 (FRME72SBL) CUSTOMER DRAWING

UNLESS OTHERWISE SPECIFIED,
 DIMENSIONAL TOLERANCES ARE:
 (.X) ± (.XXX) ±.010(.3)
 (.XX) ±.03(.8) ANGLES ±

UNLESS OTHERWISE SPECIFIED,
 ALL DIMENSIONS ARE GIVEN
 IN INCHES, THIRD ANGLE PROJECTION.

DRAWN BY
 BAS

MAT'L:

SCALE
 NONE

DATE
 6-30-00

DRAWING NO.
 00722-27
 SHEET 2 OF 2

DWG
 A
 SIZE

REV	DATE	BY	CHK	DESCRIPTION	ECN	CHK	CUST	SUP
R	6-30-00	BAS		SEE SHEET 1 OF 2.	00722-27			