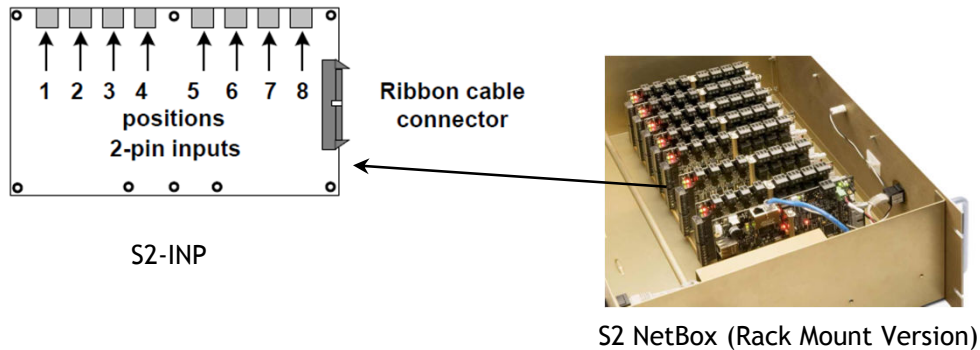


S2-INP

Supervised Input Application Extension Blade



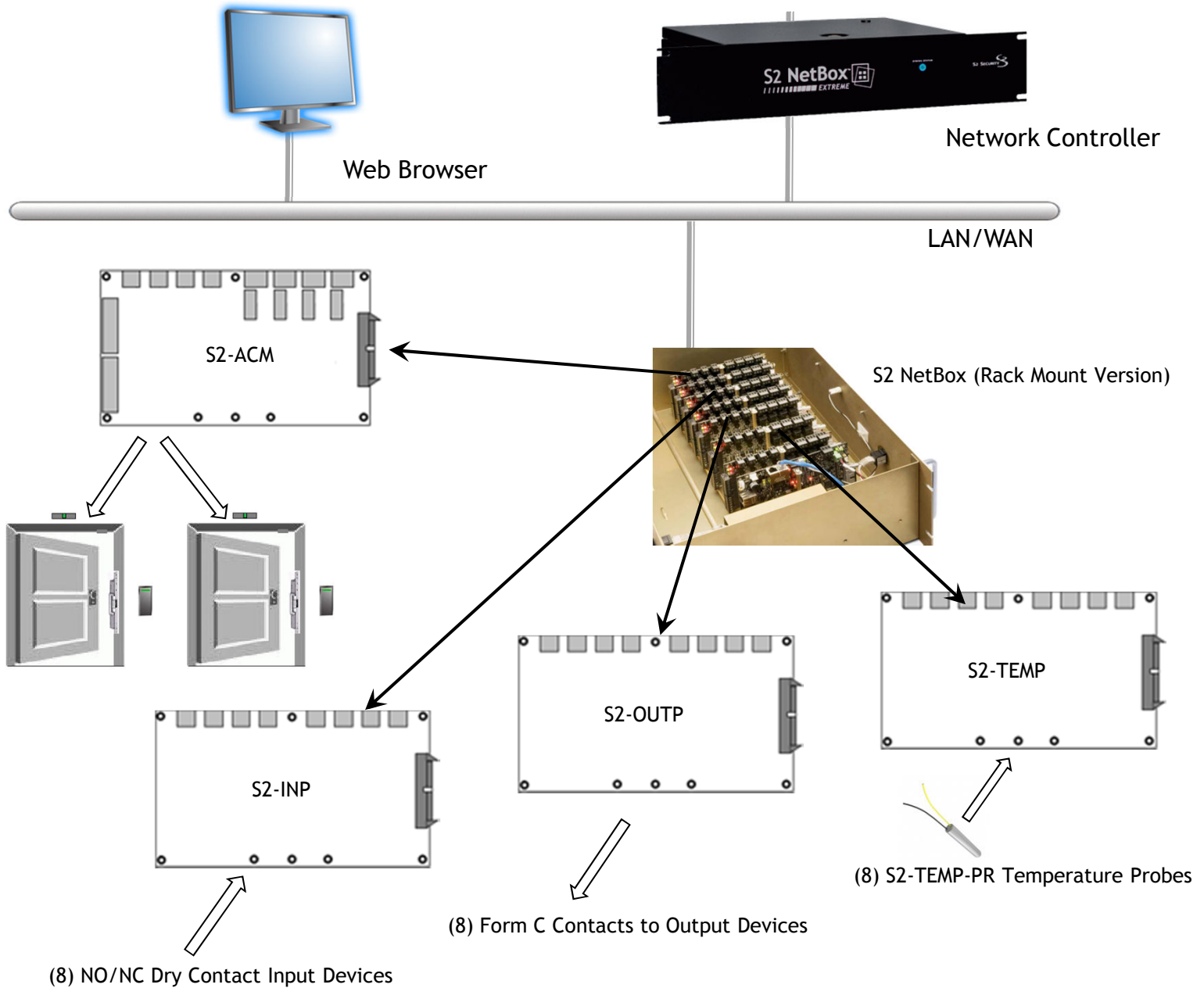
S2 Security offers a Supervised Input Extension Blade for device monitoring solutions. The Input Extension Blade, installed into a NetBox (S2-NN-Exx-xx), provides the S2 Security Control System with high-speed acknowledgment of critical alarm points in monitored areas. Up to (7) application blades, including the S2-INP, can be installed in a NetBox and connected to the Network Node blade via the bus ribbon cable. The S2-INP communicates directly with the S2-CBM or the S2-M2 via the bus ribbon cable.

The S2-INP has 8 configurable input points. It supports normally open, normally closed, supervised and non-supervised circuits. The input status is controlled by software, so that each input point can individually be programmed as a supervised or non-supervised point

Specifications

S2-INP Power Requirement	12VDC, supplied via ribbon cable connection from an S2-CBM or S2-M2
Input Points	8
Input Supervision	Quad State (Open/Short/Normal/Alarm), with use of (2) 1K EOL Resistors Supervision selectable per input (Dual Resistor, Single Resistor Series, Single Resistor Parallel, NC Unsupervised, NO Unsupervised)
Cable Requirements	
Inputs	Twisted, shielded 22 AWG Belden #9462 or equivalent
Environmental	Temperature: 32°F to 120°F (0°C to 49°C) Operating Relative Humidity Range: Up to 85% non-condensing
Mechanical	4.0" x 7.5" (102mm x 191mm)
Approvals	UL 294 and CE listed system configurations available

Typical Application



Ordering Information

Part No.	Description
S2-INP	Supervised input application extension blade: 8 inputs
S2-OUTP	Relay controlled output application extension blade: 8 outputs
S2-TEMP	Temperature Input application extension blade: 8 temperature inputs
S2-TEMP-PR	Temperature Sensor probe

S2 Security Corporation

World Headquarters
 50 Speen Street
 Framingham, MA 01701 USA
 Tel: +1 508 663 2500
 Fax: +1 508 663 2512

S2 Security ASIA

808, #04-151 French Road
 Kitchener Complex
 Singapore 200808
 Singapore
 Tel: +65 65658916

