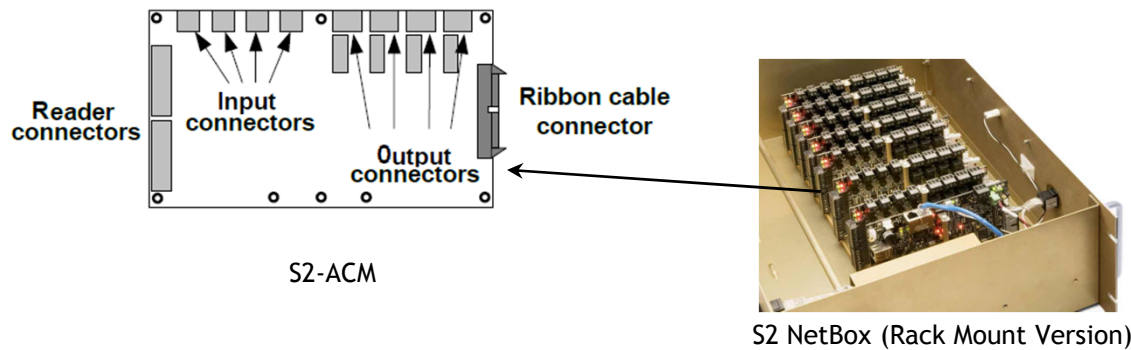


S2-ACM

Access Control Application Extension Blade



S2 Security offers an Access Control Application Extension Blade for access control solutions. Most access control card readers, keypads, or readers with keypads that use standard Wiegand Data1/Data0 communication are supported.

The S2-ACM is installed into a NetBox, (S2-NN-ExR-XX), and provides the link between the Network Node Blade (S2-CBM) or a Network Controller/Node Combo Blade (S2-M2) and the door devices (Reader, REX, Door Switch) to the interface. Up to (7) application blades, including the S2-ACM, can be installed in a NetBox and connected to the Network Node blade via the bus ribbon cable.

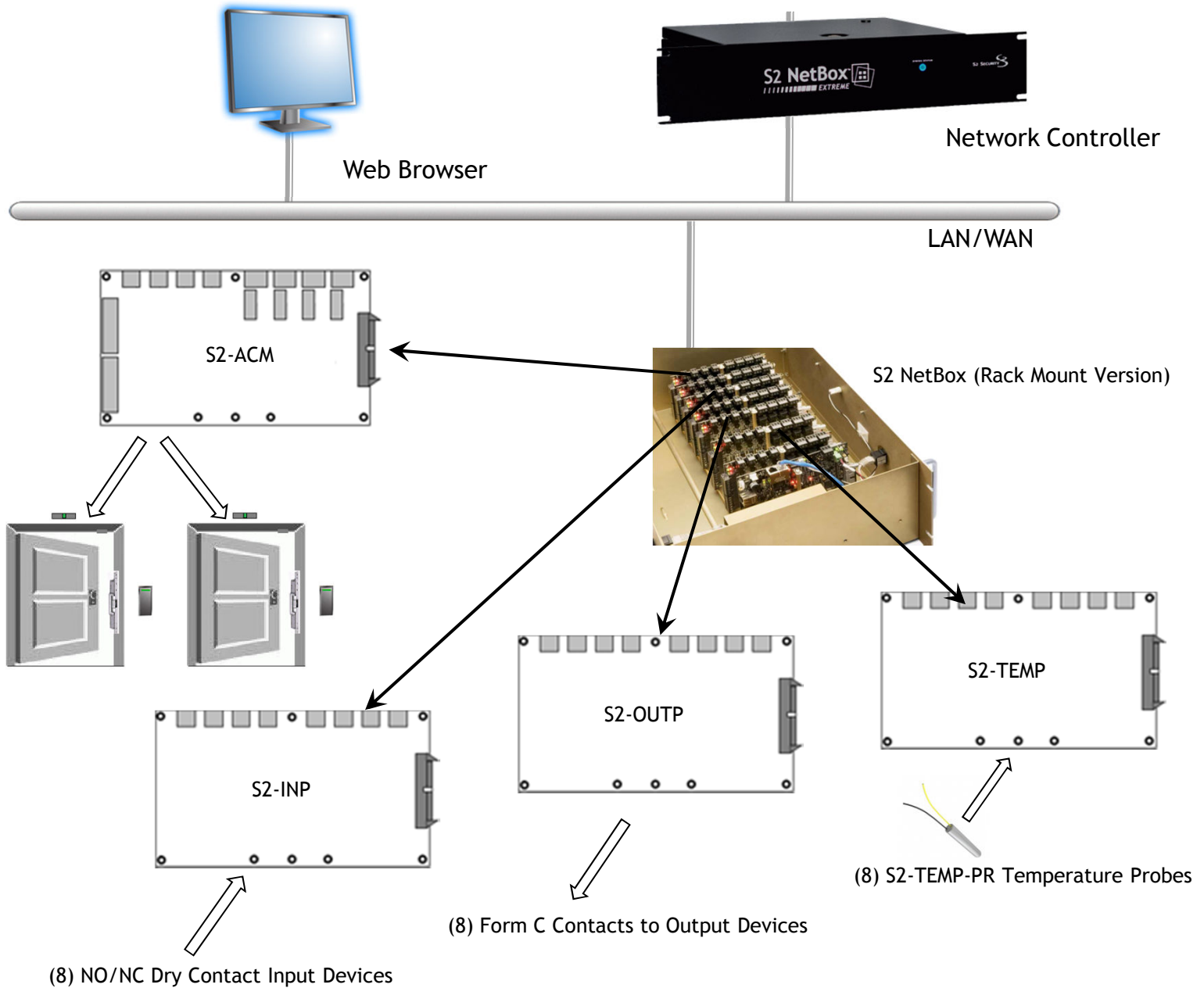
The S2-ACM includes four inputs that support normally open, normally closed, supervised, and non-supervised circuits. In addition, four output relays support fail-safe or fail-secure operation.

Specifications

S2-ACM Power Requirement	12VDC, supplied via ribbon cable connection from an S2-CBM or S2-M2
Output Power	12VDC, up to 400ma to power external devices
Reader Ports	2
Reader Port Compatibility	Wiegand Data0/Data1
Inputs	4
Input Supervision	Quad State (Open/Short/Normal/Alarm), with use of (2) 1K EOL Resistors Supervision selectable per input (Dual Resistor, Single Resistor Series, Single Resistor Parallel, NC Unsupervised, NO Unsupervised)
Outputs	4, Form C (C/NO/NC) 30 Volts DC or AC, 2.5 Amps inductive or 5.0 Amps non-inductive
Cable Requirements	
Readers	Twisted, shielded 22 AWG Belden #9536 (6 conductor) or equivalent Maximum distance: 500 feet (152 meters)
Inputs	Twisted, shielded 22 AWG Belden #9462 or equivalent Maximum distance: 2000 feet (610 meters)
Outputs	Twisted, shielded 22 AWG Belden #9462 or equivalent (typical) Maximum distance: 2000 feet (610 meters) NOTE: Voltage drop due to cable length, device current draw, and other factors may require variations in cable AWG size, check with output device specifications for proper cable selection
Environmental	Temperature: 32°F to 120°F (0°C to 49°C) Operating Relative Humidity Range: Up to 85% non-condensing
Mechanical	4.0" x 7.5" (102mm x 191mm)
Approvals	UL 294 and CE listed system configurations available



Typical Application



Ordering Information

Part No.	Description
S2-INP	Supervised input application extension blade: 8 inputs
S2-OUTP	Relay controlled output application extension blade: 8 outputs
S2-TEMP	Temperature Input application extension blade: 8 temperature inputs
S2-TEMP-PR	Temperature Sensor probe

S2 Security Corporation

World Headquarters
 50 Speen Street
 Framingham, MA 01701 USA
 Tel: +1 508 663 2500
 Fax: +1 508 663 2512

S2 Security ASIA

808, #04-151 French Road
 Kitchener Complex
 Singapore 200808
 Singapore
 Tel: +65 65658916

