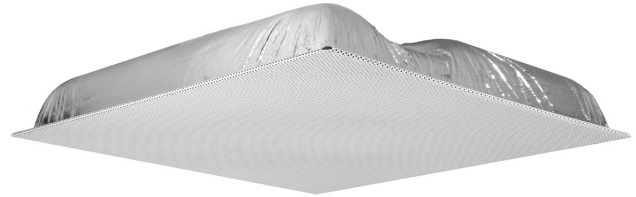
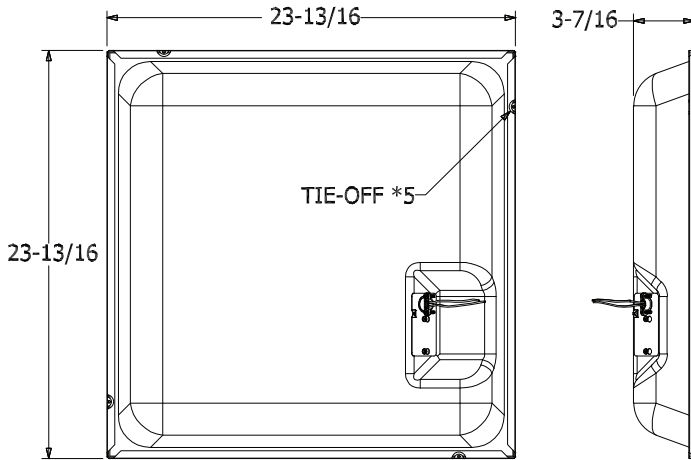




0104.5 - TILE REPLACEMENT LOUDSPEAKER



GENERAL DESCRIPTION

The SYSTEM12/8 is a complete loudspeaker assembly with an 8" O.D. full range speaker, perforated steel baffle, and integral molded fiber enclosure. Nominal impedance is 8-Ohms. Finish: Baked epoxy hybrid.

INTENDED USE

Indoor environment, mounted parallel to floor plane in a 24" wide suspended ceiling tile grid. Program Material: Signal tones, voice and music.

UL Listed 1480- (UEAY, UEAY7-Canada)

As a **General Signaling Device**: when installed in accordance with supplied installation instructions, requirements of NEC and AHJ.

CITY of CHICAGO *APPROVED- Material and construction permits use where ceiling plenum is part of the air handling system.

SYSTEM COMPONENT

Loudspeaker	8C5PAX
-------------	--------

FINISH OPTIONS

White	Order as SYSTEM12/8
Black	Order as SYSTEM 2/8/B

AUDIO SPECIFICATIONS:

Average Sensitivity	92 dB-SPL, 1W/ 1M
Loudspeaker Power Rating	12W RMS, EIA 426A Standard
Calculated Maximum System Output	103 dB-SPL, 12W / 1M
Magnet Type, Weight	BeFe Ceramic, 4.8 oz. Nominal
Frequency Response Nominal	65 Hz - 17 kHz EIA 426A Standard
Coverage Angle	100° Included angle, -6dB
Audio Connection	2 kHz, half space
	7" long, labeled tinned wires, pre-cut

Recommended construction sequences, installation instructions, A&E Guide Specifications, **EASE .GLL / .CF2 files**, are available on the web at:

www.QuamSpeakers.com/support-pages/ae-resources.shtml

Quam-Nichols Company

234 East Marquette Road, Chicago, IL 60637
 Phone: (800) NEED NOW Fax: (888) NEED NOW
 (800) 633 - 3669 (888) 633 - 3669
 E-Mail: neednow@qnc.com www.quamspeakers.com



SIGNALING



(1' x 2') SYSTEM 5 – includes 8-Ohm, /25RS and /70RS versions
(2' x 2') SYSTEM 12 – includes 8-Ohm, /25RS and /70RS versions

INTENDED USE:

All versions: Indoor environment, mounted parallel to floor plane in a 24" wide, suspended ceiling tile grid; mount height 18' or less above floor plane.

Program material: Signal tones, voice and music.



UL Listed 1480

City of Chicago * Approved

"Material and construction permits use where ceiling plenum is part of the air handling system"

Type G– General Signaling

1. Cut ceiling tile as required:

1' x 2' FORMAT LOUDSPEAKER

- 2' x 2' tile – Cut tile in half along one axis.
- 2' x 4' tile – Cut 12" from edge along 2' axis and discard smaller piece.

2' x 2' FORMAT LOUDSPEAKER

- 2' x 2' tile – No cutting required.
- 2' x 4' tile – Cut tile in half along 2' axis.

! Steps 2-3 – Required only if using conduit clamp fitting *other than what is provided* with product.

2. Loosen, but do not remove screws on cover plate; push up and remove plate from assembly.

3. Remove cable /conduit clamp fitting from plate; Install UL Listed metallic enclosure entry fitting for plenum cable or flex whip.

4. Feed supply cable through whip to connector. Make connections per wiring diagrams below; insulate all unused taps from each other, the enclosure and electrical ground.

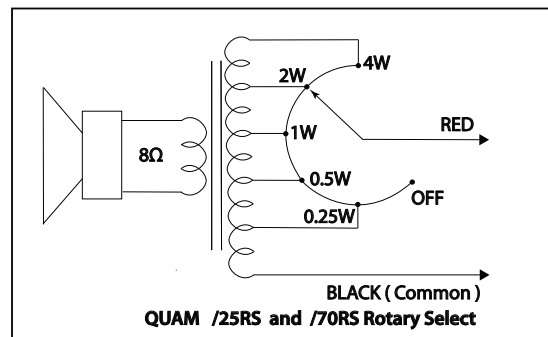
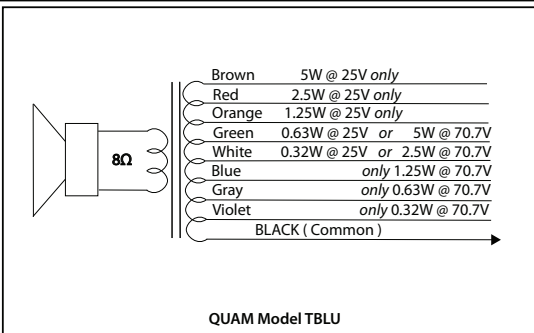
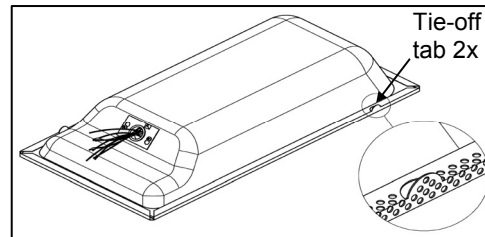
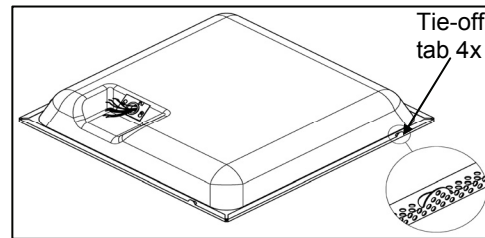
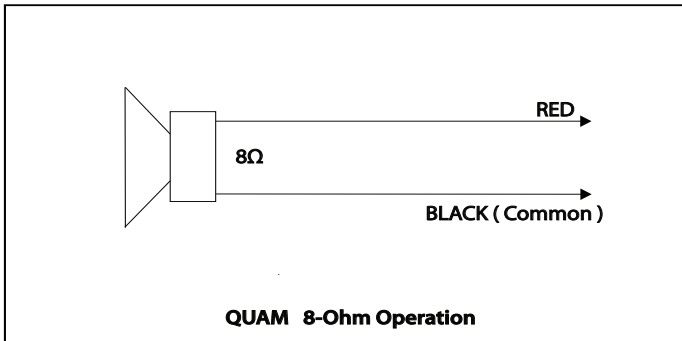
When cover plate is secured, all connections / splices and unused leads must be inside of the enclosure.

5. Place assembly onto ceiling grid, install 24" T-bar trim piece where required (furnished only with specific 1'x2' formats).

NOTE! AHJ/ local codes may require tie-off to structure. Bend up tie-off tabs as shown in illustration and install as directed.

NOTE! AHJ/ local codes may require tie-down to grid. Recommended fasteners; *not supplied.* Erico/Caddy part ATA4i and 1/4"-20 x 2" bolt, or equivalent. Install as directed.

6. Place remaining ceiling tile into opening as required.



234 East Marquette Road, Chicago, IL 60637
 Phone: (800) NEED NOW Fax: (888) NEED NOW
 (800) 633 - 3669 (888) 633 - 3669
 E-Mail: neednow@qnc.com www.quamspeakers.com

