

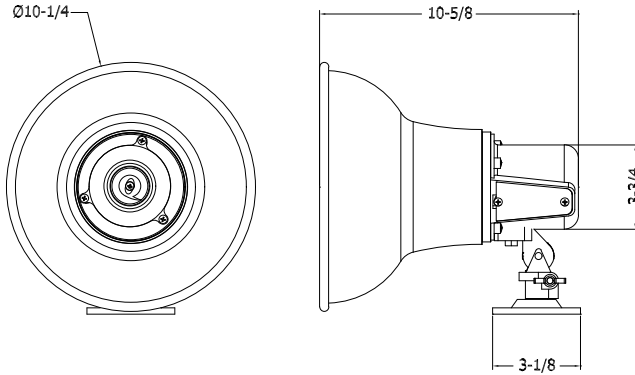


# Quam

## QH32T

### Paging Horn with Universal Mount

#### 0103 - PAGING HORN



# 01

## LOUDSPEAKER ASSEMBLIES

#### GENERAL DESCRIPTION

The QUAM QH32T is a double re-entrant horn, compression type loudspeaker and 32W-25/70.7V rotary select transformer with adjustable mount base  
 Finish: Tan enamel

#### INTENDED USE

Outdoor or indoor environment, vertical or horizontal surface mount; adapts to pole mount

Program Material: Voice and signal tone

#### SYSTEM COMPONENTS

Loudspeaker:	QH32T
Transformer:	32W*, 25V/ 70.7V, rotary select, integral to unit.

- \* 70V- 32W, 16W, 8W, 4W
- \* 25V- 32W, 16W, 8W, 4W, 2W

#### AUDIO SPECIFICATIONS

Speaker Type:	Compression, re-entrant horn
Average Sensitivity:	113 dB-SPL, 1W/ 1M
Power rating:	32W-RMS, EIA 426A Standard
Calculated Output:	124 dB-SPL, 32W / 1M
Frequency Response:	300 - 15 kHz EIA 426A Standard
Nominal Coverage Angle:	110° Included angle, -6dB 2 kHz
Transformer Tap Selection	Rotary selector switch
Audio Connection:	Binding Screw

Recommended construction sequences, installation instructions and A&E Specifications are available in various formats in the Quam Architects' and Engineers' Resources section on the web at: [www.QuamSpeakers.com](http://www.QuamSpeakers.com)

#### Quam-Nichols Distributed By:

LEE DAN COMMUNICATIONS, INC.  
[www.leedan.com](http://www.leedan.com) [info@leedan.com](mailto:info@leedan.com)  
 Toll-Free 1-800-231-1414

