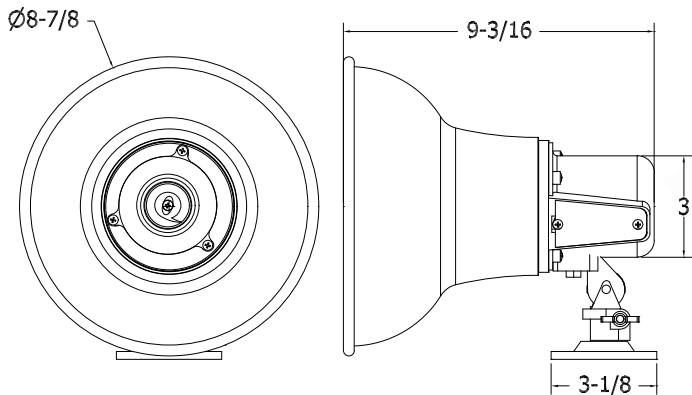


0103 - PAGING HORN



GENERAL DESCRIPTION

The QUAM QH16T is a double re-entrant horn, compression type loudspeaker and 16W-25/70.7V rotary select transformer with adjustable mount base.

Finish: Tan enamel

INTENDED USE

Outdoor or indoor environment, vertical or horizontal surface mount; adapts to pole mount

Program Material: Voice and signal tone

SYSTEM COMPONENTS

Loudspeaker:	QH16T
Transformer:	16W*, 25V/ 70.7V, rotary select, integral to unit

* 16W, 8W, 4W, 2W, 1W

AUDIO SPECIFICATIONS

Speaker Type	Compression, re-entrant horn
Average Sensitivity	110 dB-SPL, 1W/ 1M
Power rating	16W-RMS, EIA 426A Standard
Calculated Maximum System Output	121 dB-SPL, 16W / 1M
Frequency Response	300 - 15 kHz
Nominal Coverage Angle	EIA 426A Standard
Transformer Tap Selection	110° Included angle, -6dB
Audio Connection	2 kHz
	Selector switch
	Binding Screw

Recommended construction sequences, installation instructions and A&E Specifications are available in various formats on the Quam Architects' and Engineers' Resources CD or on the web at: www.quamspeakers.com

Quam-Nichols Company

234 East Marquette Road, Chicago, IL 60637
 Phone: (800) NEED NOW Fax: (888) NEED NOW
 (800) 633 - 3669 (888) 633 - 3669
 E-Mail: neednow@qnc.com www.quamspeakers.com