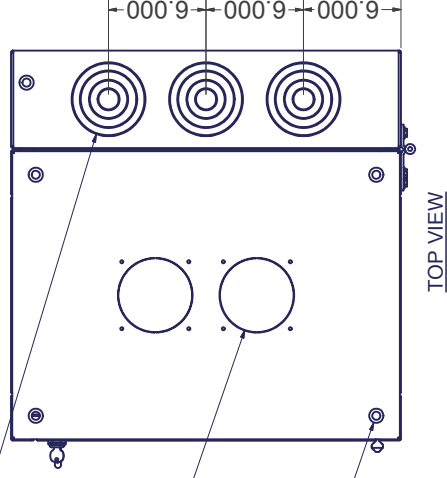


1", 2", 3", and 4"
REAR SECTION NOMINAL
CONCENTRIC CONDUIT
KNOCKOUT

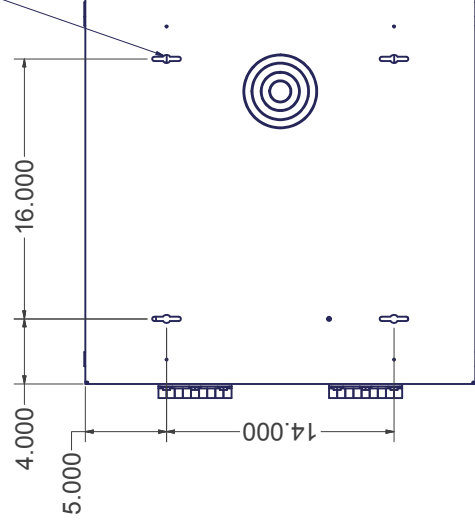
FAN KNOCKOUTS FOR
7217WS ASSEMBLY LOCATED
ON TOP AND BOTTOM

DIA. 1/2" - 13 THREADS
TOP AND BOTTOM
5 PLACES

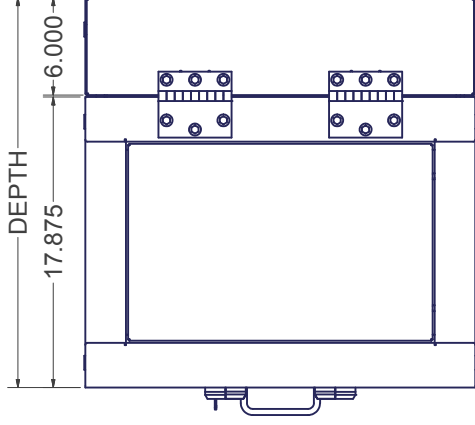


TOP VIEW

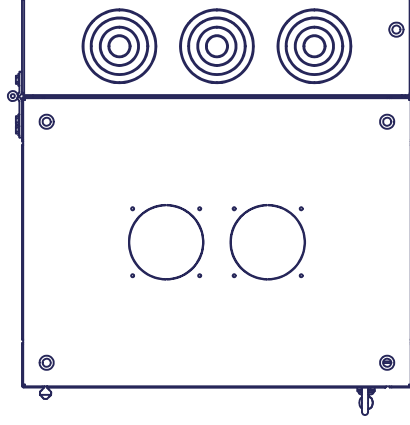
MOUNTING HOLES FOR
1/4" HARDWARE



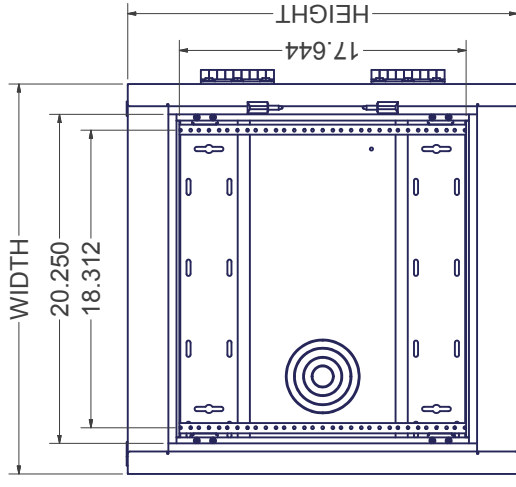
BACK VIEW



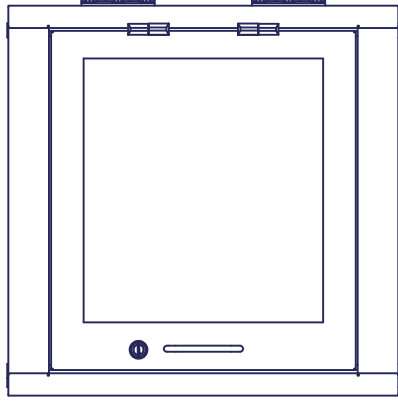
RIGHT SIDE VIEW



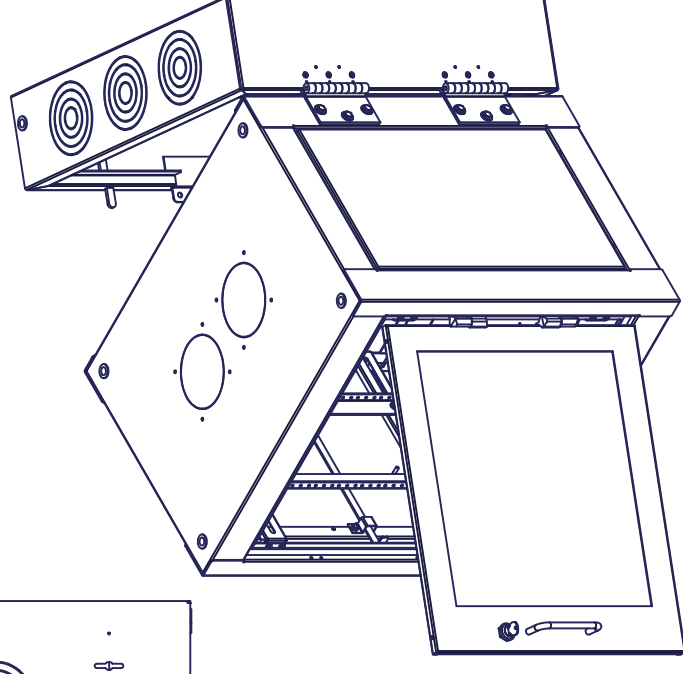
BOTTOM VIEW



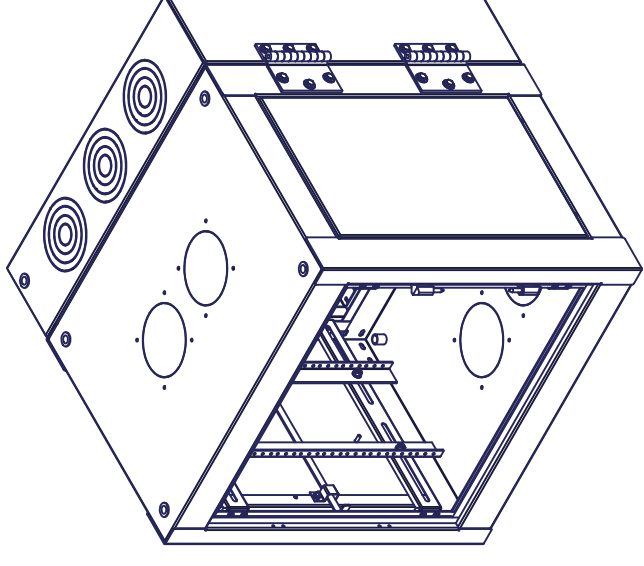
FRONT VIEW
(without Door)



FRONT VIEW
(with Door)



ISO EXPLODED
(with Door)



ISO COLLAPSED
(without Door)

Part No.	Height	Width	Depth
GL24WS	24.00"	24.00"	24.00"
GL36WS	36.00"	24.00"	24.00"
GL48WS	48.00"	24.00"	24.00"

INTERPRET DRAWING PER ASME Y14.5M-1994
DIMENSIONAL LIMITS APPLY
AFTER APPLICATION OF FINISH
DRAWING NOT TO SCALE
TOLERANCE UNLESS OTHERWISE NOTED:
ANGULAR +/- 1
.XXX +/- .010
.XX +/- .030
X FOR REF ONLY
UNLESS OTHERWISE SPECIFIED
ALL DIMENSIONS ARE IN INCHES

NOTICE:
Use of this document is subject to a confidentiality and nondisclosure agreement with Great Lakes Case & Cabinet Co., Inc. (GLCC) and may not be reproduced, disclosed or utilized in whole or in part without prior written authorization from GLCC.

PART NUMBER: 1013250
QTY PER UNIT: 1
MATERIAL TYPE:
MATERIAL GAUGE:
FINISH: SEE NOTES
DRAWN: MZ
CHECKED & APP. DATE: 1/11/2011
WSS DATE: 1/11/2011

TITLE: **WS Wall Mounts**
GREAT LAKES CASE & CABINET CO., INC.
P.O. BOX 551 EDINBORO, PA 16412
PHONE (814) 734-7303 FAX (814) 734-3907
E-MAIL glcc@greatlakes.com



THIRD ANGLE
PROJECTION

REV: 0
SHEET: 1 OF 1

DWG NO: 1013250

DATE: 1/11/2011