

RACK PIVOTS FROM EITHER SIDE

SPECIFICATIONS:

RACK SPACES: 19" EIA 310-E COMPLIANT - SEE CHART

WEIGHT CAPACITY: 100 LBS - EVENLY DISTRIBUTED.

FINISH: DURABLE TEXTURED BLACK POWDER COATING.

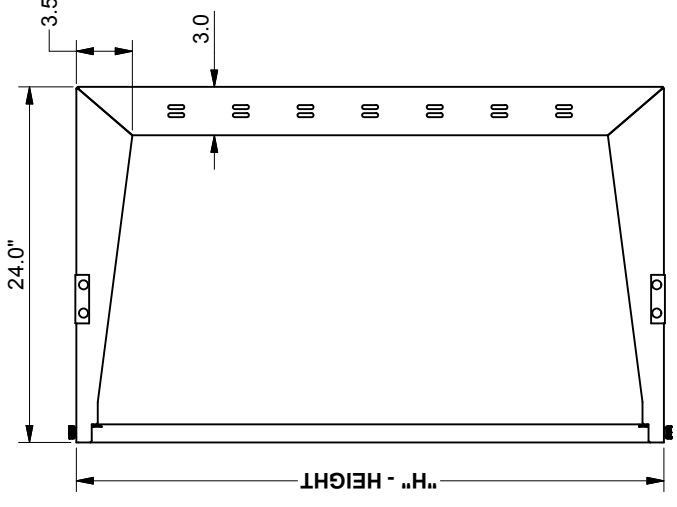
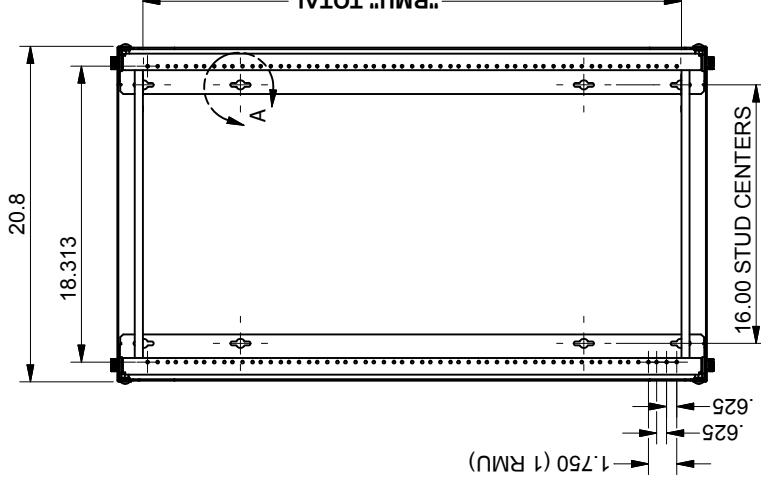
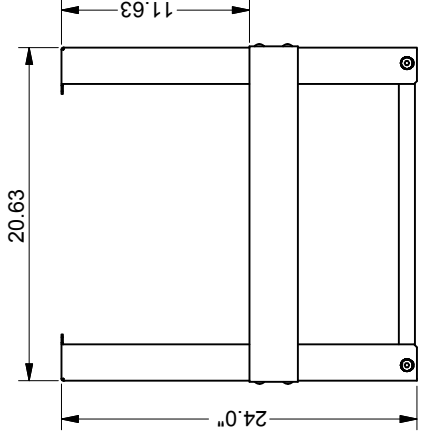
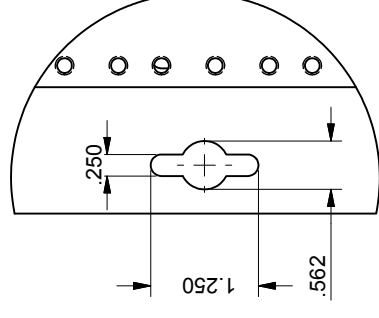
CERTIFICATIONS: UL 60950-1 STANDARD FOR I.T. & COMMUNICATIONS EQ.

CONSTRUCTION: #12 GA. C.R.S. MOUNTING CHANNELS & SUPPORT FRAME.

USABLE DEPTH: 22" FROM MOUNTING SURFACE

HARDWARE: PACKAGE OF QTY-50; #12-24 SCREWS INCLUDED.

| PART NUMBER | RMU TOTAL | H - HEIGHT |
|-------------|-----------|------------|
| 24SRD3200 | 12 | 23.97 |
| 36SRD3200 | 19 | 36.22 |
| 48SRD3200 | 26 | 48.47 |



NOTICE:
Use of this document is subject to a confidentiality and nondisclosure agreement with Great Lakes Case & Cabinet Co., Inc. (GLCC) and may not be reproduced, disclosed or utilized in whole or in part without prior written authorization from GLCC.

| | | | |
|----------------------|-----------------|---|--------|
| PART NUMBER: 1013250 | | TITLE: SWING RACKS - DEEP | |
| QTY PER UNIT: 1 | MATERIAL TYPE: | GREAT LAKES CASE & CABINET CO., INC. | |
| MATERIAL GAUGE: | | P.O. BOX 551 EDINBORO, PA 16412 | |
| FINISH: SEE NOTES | | PHONE (814) 734-7303 FAX (814) 734-3907 | |
| DATE: 1/11/2011 | DATE: 1/11/2011 | E-MAIL: glcc@greatlakes.com | |
| CHECKED & APP. WSS | DATE: 1/11/2011 | DWG NO: 1013250 | REV: 0 |
| | | SHEET: 1 OF 1 | |

INTERPRET DRAWING PER ASME Y14.5M-1994
DIMENSIONAL LIMITS APPLY AFTER APPLICATION OF FINISH
DRAWING NOT TO SCALE
TOLERANCE UNLESS OTHERWISE NOTED:
ANGULAR +/- .1
XXX +/- .010
XX +/- .015
X FOR REF. ONLY
UNLESS OTHERWISE SPECIFIED ALL DIMENSIONS ARE IN INCHES

