

POWER STRIPS

for CPI Rack and Cabinet Systems

KEY FEATURES

- Distribute power to multiple devices from a single power connection
- NEMA style outlets and plugs
- Available with thermal circuit breakers to protect circuits from overload
- Available with surge-protection to protect equipment from power spikes
- Available with local current meters to provide easy current monitoring

APPLICATIONS

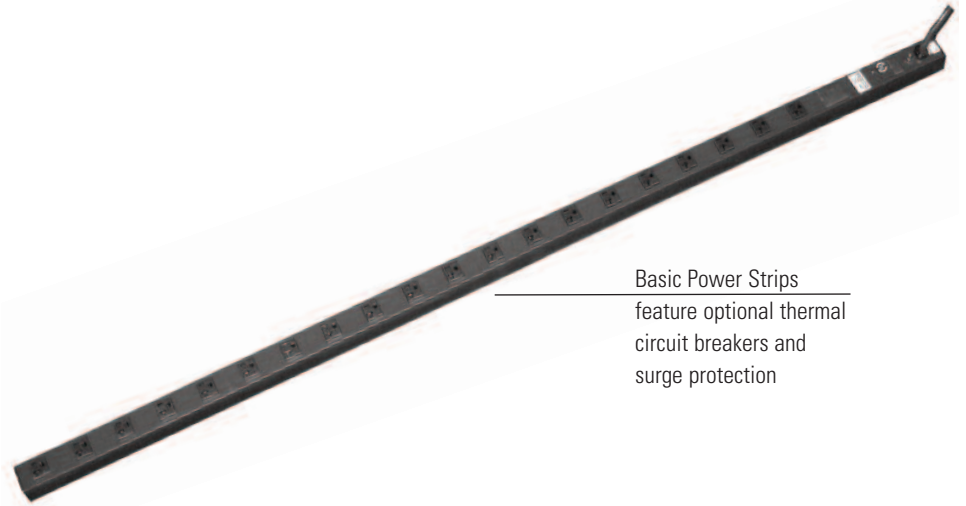
- Power Strips distribute single-phase power to multiple pieces of equipment from a single power connection.

USE WITH

- CPI Cabinet Systems
- CPI Rack Systems

RELATED ACCESSORIES

- Power Distribution Units (PDUs)
- Electronic Locking System (ELS)
- Remote Infrastructure Management (RIM-600) System



Basic Power Strips feature optional thermal circuit breakers and surge protection

CPI Power Strips provide basic power distribution into racks and cabinets allowing you to share a single power connection with multiple pieces of equipment.

CPI Power Strips are available in two configurations: basic and metered. Basic Power Strips feature optional thermal circuit breakers and surge protection. Circuit breakers limit the amount of current available to equipment while surge protection blocks excessive voltage from equipment. Both features are critical with unconditioned line power. Metered configurations include an in-line digital ammeter with display to show the amount of current being used by attached equipment. This feature allows the user to monitor current use and judge the amount of remaining capacity on the power strip before adding a new device to the circuit.

Choose vertical or horizontal rack-mount power strips that match the voltage and current rating of the power connection. NEMA-NEMA style plug and outlet combinations are available.

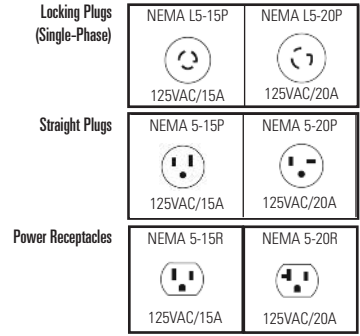
See inside for product selection. Contact CPI Technical Support for configuration assistance.



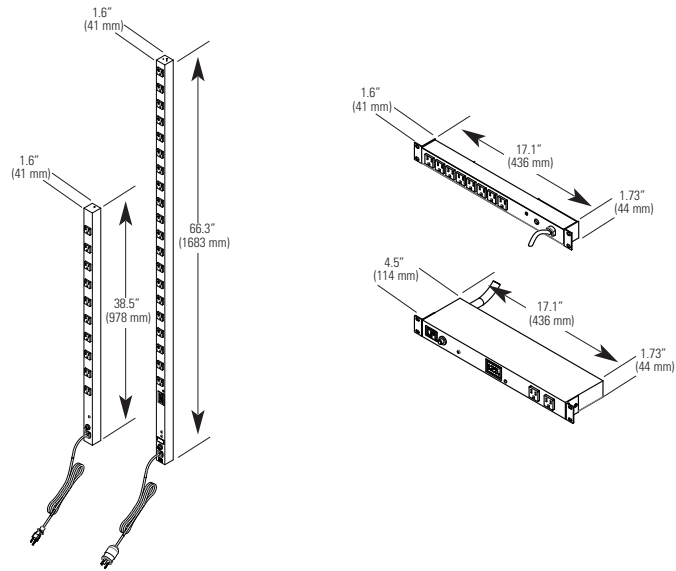
SPECIFICATIONS

- Single-input, vertical and horizontal rack-mount power strips
- For indoor use only, in environmentally controlled areas; may not be used outdoors, in harsh environments or in air-handling spaces
- Power Input:
 - Specific to Power Strip (see order tables)
 - Stated as maximum rated voltage and current of inlet/plug
 - 50/60 Hz
- Power Output:
 - Specific to Power Strip (see order tables)
 - Same voltage/frequency as input
- Power Inlet/Plugs:
 - Specific to Power Strip (see order tables)
 - NEMA plug, straight or locking
- Power Cord:
 - Attached, 10'L (3.0 m)
 - Not rated for plenum use
- Power Outlet Receptacles:
 - Specific to Power Strip (see order tables)
 - NEMA outlets/receptacles
- Circuit Protection:
 - Optional Thermal (T) circuit breakers
 - Optional Surge Protection
 - 330 Volt, 720 Joules
 - UL & c-UL 1449 Recognized rating
 - Surge suppression active indicator – red LED
- Current Metering:
 - Digital ammeter(s) are included on metered Power Strips
 - Each ammeter has a 3-digit LED display
- Certifications:
 - Specific to Power Strip
 - Most Power Strips are UL & c-UL Listed Accessory 60950
 - P/Ns 13239-7XX are UL & c-UL Recognized 1363
- Includes Rack/Cabinet Mounting Brackets:
 - Vertical Power Strips include brackets for attaching the Power Strip to a CPI Rack System or a Cabinet depending on the part number ordered
 - The Rack System part numbers include one pair of 6.5"D (165 mm) Offset Rack-Mount Brackets that attach to the rack's equipment mounting channels. Each bracket uses 1U of rack-mount space. Other sizes are available as accessories (ordered separately)
 - The Cabinet part numbers include a bracket that attach the power strip to M-Series MegaFrame® or C-Series SlimFrame® Cabinets and tool-less mounting hardware that can be used to attach the Power Strip to the mounting bracket that is included with the F-Series TeraFrame® or GlobalFrame™ Cabinet or an accessory power manager
 - Horizontal Power Strips include mounting brackets for 19"EIA rack-mounting
- Finish: Black only

PLUG & RECEPTACLE CONFIGURATIONS

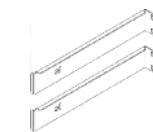


DIMENSIONS



ACCESSORIES

Offset Rack-Mount Brackets



Two brackets included in each kit

Use Versa-Clamp brackets where additional depth is required over the standard 6.5"D (165 mm) clamp included with vertical power strips for racks systems (RBK).

- Versa-Clamp allows rotation of power strip into preferred orientation prior to securing in place
- Versa-Clamp allows vertical positioning
- Designed to be used in conjunction with 12851 and 12853 series power strips purchased separately

Part Number	Description	Shipping Weight
12847-701	6.5" (165 mm) Offset Bracket Kit*	2 lb (0.9 kg)
12847-702	9.1" (231 mm) Offset Bracket Kit	2 lb (0.9 kg)
12847-703	11.7" (297 mm) Offset Bracket Kit	2 lb (0.9 kg)

*Vertical Power Strips for racks systems include 6.5"D (165 mm) mounting brackets

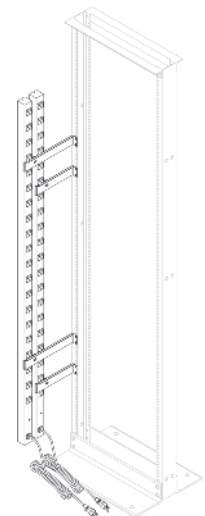


Illustration shows 9.1" (231 mm) and standard 6.5" (165 mm) brackets

ORDERING INFORMATION

Single-Phase, Vertical Power Strips with Versa-Clamp Mounting Brackets for Cabinets ¹											
Inlet			Outlets		Circuit Breaker (Thermal)	Surge Protector	Size ⁴ Length in (mm)	Part Number ²			
Volts	Amps	Plug ³	Qty	Type ³				Basic	Metered		
125	15	5-15P	10	5-15R	-	-	38.5 (978)	12850-721	-		
			10	5-15R	1 x 15A	-	38.5 (978)	12850-701	-		
			10	5-15R	1 x 15A	Yes	38.5 (978)	12850-702	-		
			20	5-15R	-	-	66.3 (1683)	12848-721	-		
			20	5-15R	1 x 15A	-	66.3 (1683)	12848-701	12848-751		
			20	5-15R	1 x 15A	Yes	66.3 (1683)	12848-702	12848-752		
		L5-15P	10	5-15R	1 x 15A	-	38.5 (978)	12850-703	-		
			10	5-15R	1 x 15A	Yes	38.5 (978)	12850-704	-		
			20	5-15R	1 x 15A	-	66.3 (1683)	12848-703	-		
			20	5-15R	1 x 15A	Yes	66.3 (1683)	12848-704	12848-754		
			20	5-20P	10	5-20R	-	-	38.5 (978)	12850-723	-
					10	5-20R	1 x 20A	-	38.5 (978)	12850-705	-
	10	5-20R			1 x 20A	Yes	38.5 (978)	12850-706	-		
	20	5-20R			-	-	66.3 (1683)	12848-723	12848-773		
	20	5-20R			1 x 20A	-	66.3 (1683)	12848-705	12848-755		
	20	5-20R			1 x 20A	Yes	66.3 (1683)	12848-706	12848-756		
	L5-20P	10	5-20R	-	-	38.5 (978)	12850-724	-			
		10	5-20R	1 x 20A	-	38.5 (978)	12850-707	-			
		10	5-20R	1 x 20A	Yes	38.5 (978)	12850-708	-			
		20	5-20R	-	-	66.3 (1683)	12848-724	12848-774			
		20	5-20R	1 x 20A	-	66.3 (1683)	12848-707	12848-757			
		20	5-20R	1 x 20A	Yes	66.3 (1683)	12848-708	12848-758			

- Note:
1. The part numbers in the order table above include Versa-Clamp Mounting Brackets for CPI's M-Series MegaFrame® and C-Series SlimFrame® Cabinets and tool-less mounting hardware for F-Series TeraFrame® and GlobalFrame® Cabinet System PDU/power strip mounting brackets. Order Power Strip Bracket Kit (P/N 34434-C01) or other power manager accessory to install the power strips in TeraFrame Cabinets if the cabinet does not include a PDU mounting bracket.
 2. There is a different part number for Basic and Metered Power Strips. Metered Power Strips include a single in-line ammeter with digital display.
 3. Plugs and outlets are NEMA. LX-XXP means locking plug. Power Strips have a 10'L (3 m) power cord.
 4. Power Strips are 1.6"W x 1.6"D (41 mm x 41 mm). Note that Power Strips with 10 outlets are 38.5"L (978 mm).
 5. Tool-less mounting hardware is spaced 36.75" (933 mm) apart on 38.5"L (978 mm) power strips and 64.75" (1645 mm) apart on 66.3"L (1683 mm) power strips.
 6. 15 Ampere power strips are de-rated to 12 Amperes; 20 Ampere power strips are de-rated to 16 Amperes.

Contact CPI Technical Support (800-834-4969) to request other options.

ORDERING INFORMATION

Single-Phase, Vertical Power Strips with Versa-Clamp Mounting Brackets 2-Post and 4-Post Rack Systems ¹									
Inlet			Outlets		Circuit Breaker (Thermal)	Surge Protector	Size ⁴ Length in (mm)	Part Number ²	
Volts	Amps	Plug ³	Qty	Type ³				Basic	Metered
125	15	5-15P	10	5-15R	-	-	38.5 (978)	12853-721	-
			10	5-15R	1 x 15A	-	38.5 (978)	12853-701	-
			10	5-15R	1 x 15A	Yes	38.5 (978)	12853-702	-
			20	5-15R	-	-	66.3 (1683)	12851-721	-
			20	5-15R	1 x 15A	-	66.3 (1683)	12851-701	12851-751
			20	5-15R	1 x 15A	Yes	66.3 (1683)	12851-702	12851-752
		L5-15P	10	5-15R	1 x 15A	-	38.5 (978)	12853-703	-
			10	5-15R	1 x 15A	Yes	38.5 (978)	12853-704	-
			20	5-15R	1 x 15A	-	66.3 (1683)	12851-703	-
			20	5-15R	1 x 15A	Yes	66.3 (1683)	12851-704	12851-754
	20	5-20P	10	5-20R	-	-	38.5 (978)	12853-723	-
			10	5-20R	1 x 20A	-	38.5 (978)	12853-705	-
			10	5-20R	1 x 20A	Yes	38.5 (978)	12853-706	-
			20	5-20R	-	-	66.3 (1683)	12851-723	12851-773
			20	5-20R	1 x 20A	-	66.3 (1683)	12851-705	12851-755
			20	5-20R	1 x 20A	Yes	66.3 (1683)	12851-706	12851-756
		L5-20P	10	5-20R	-	-	38.5 (978)	12853-724	-
			10	5-20R	1 x 20A	-	38.5 (978)	12853-707	-
			10	5-20R	1 x 20A	Yes	38.5 (978)	12853-708	-
			20	5-20R	-	-	66.3 (1683)	12851-724	12851-774
			20	5-20R	1 x 20A	-	66.3 (1683)	12851-707	12851-757
			20	5-20R	1 x 20A	Yes	66.3 (1683)	12851-708	12851-758

Note:

1. The part numbers in the order table above include a 6.5"D (165 mm) Offset Rack-Mount Bracket Kit (P/N 12847-701) for 2-Post and 4-Post Rack Systems. Brackets use 2U.
2. There is a different part number for Basic and Metered Power Strips. Metered Power Strips include a single in-line ammeter with digital display.
3. Plugs and outlets are NEMA. LX-XXP means locking plug. Power Strips have a 10'L (3 m) power cord.
4. Power Strips are 1.6"W x 1.6"D (41 mm x 41 mm). Note that Power Strips with 10 outlets are 38.5"L (978 mm).
5. 15 Ampere power strips are de-rated to 12 Amperes; 20 Ampere power strips are de-rated to 16 Amperes.

Contact CPI Technical Support (800-834-4969) to request other options.

ORDERING INFORMATION

Single-Phase, Horizontal Rack-Mount Power Strips with 19"W EIA Mounting Brackets ¹										
Inlet			Outlets		Circuit Breaker (Thermal)	Surge Protector	Size ⁴ H x D in (mm)	Part Number ²		
Volts	Amps	Plug ³	Qty	Type ³				Basic	Metered	
125	15	5-15P	8	5-15R	-	-	1U x 1.6 (41)	12816-709	-	
			8	5-15R	1 x 15A	-	1U x 1.6 (41)	12816-701	-	
			8	5-15R	1 x 15A	Yes	1U x 1.6 (41)	12816-703	-	
			10	5-15R	1 x 15A	-	1U x 4.5 (114)	-	13239-751	
		10	5-15R	1 x 15A	Yes	1U x 4.5 (114)	-	13239-753		
		L5-15P	8	5-15R	-	-	-	1U x 1.6 (41)	12816-710	-
			8	5-15R	1 x 15A	-	-	1U x 1.6 (41)	12816-702	-
			8	5-15R	1 x 15A	Yes	-	1U x 1.6 (41)	12816-704	-
	8		5-20R	-	-	-	1U x 1.6 (41)	12816-711	-	
	20	5-20P	8	5-20R	1 x 20A	-	1U x 1.6 (41)	12816-705	-	
			8	5-20R	1 x 20A	Yes	1U x 1.6 (41)	12816-707	-	
			10	5-20R	1 x 20A	-	1U x 4.5 (114)	-	13239-755	
			10	5-20R	1 x 20A	Yes	1U x 4.5 (114)	-	13239-757	
		L5-20P	8	5-20R	-	-	-	1U x 1.6 (41)	12816-712	-
			8	5-20R	1 x 20A	-	-	1U x 1.6 (41)	12816-706	-
			8	5-20R	1 x 20A	Yes	-	1U x 1.6 (41)	12816-708	-
10			5-20R	1 x 20A	-	-	1U x 4.5 (114)	-	13239-756	
10	5-20R	1 x 20A	Yes	-	1U x 4.5 (114)	-	13239-758			

- Note:
1. The Part Numbers in the order table above include Mounting Brackets for 19"W EIA Cabinets or Racks.
 2. There is a different part number for Basic and Metered Power Strips. Metered Power Strips include a single in-line ammeter with digital display.
 3. Plugs and outlets are NEMA. LX-XXP means locking plug. All Power Strips have a 10'L (3 m) power cord.
 4. 15 Ampere power strips are de-rated to 12 Amperes; 20 Ampere power strips are de-rated to 16 Amperes.

Contact CPI Technical Support (800-834-4969) to request other options.



Front & Rear View
P/N 13239-755
Listed on this page

