

Product Cut Sheet

RACK LINE-UP SPACER KIT

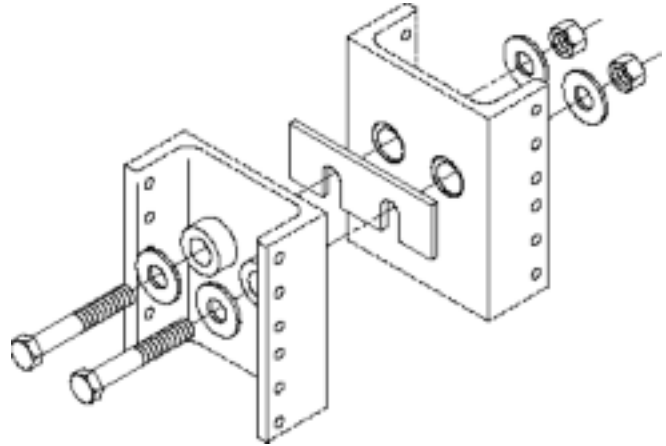
Bolts and spacer securely attach two racks mounted side-by-side.

Rack Kit consists of:

- 2 spacer plates 1" x 3" x 1/8" (30 mm x 80 mm x 3.18 mm) thick aluminum
- 4 each 5/16-18 x 2" hex cap screws
- 4 each 5/16-18 hex nuts
- 8 each 5/16 plain washers

Standard Rack Kit consists of:

- 2 spacer plates 1" x 3" x 1/8" (30 mm x 80 mm x 3.18 mm) thick aluminum
- 4 each 1/2-20 x 1" hex cap screws
- 4 each 1/2-20 hex nuts
- 4 each 1/2 plain washers



Kits for Universal Racks	Kits for Standard Racks	Color	Shipping Weight
40602-100	40702-100	Gray	1 lb (0.5 kg)
40602-200	40702-200	White	1 lb (0.5 kg)
40602-500	40702-500	Clear	1 lb (0.5 kg)
40602-700	40702-700	Black	1 lb (0.5 kg)

800-834-4969 in U.S. & Canada • www.chatsworth.com



CHATSWORTH PRODUCTS, INC.

©2012 Chatsworth Products, Inc. All rights reserved. CPI, CPI Passive Cooling, MegaFrame, Saf-T-Grip, Seismic Frame, SlimFrame, TeraFrame, GlobalFrame, Cube-iT Plus, Evolution, OnTrac, QuadraRack and Velocity are federally registered trademarks of Chatsworth Products, Inc. eConnect and Simply Efficient are trademarks of Chatsworth Products, Inc. All other trademarks belong to their respective companies.