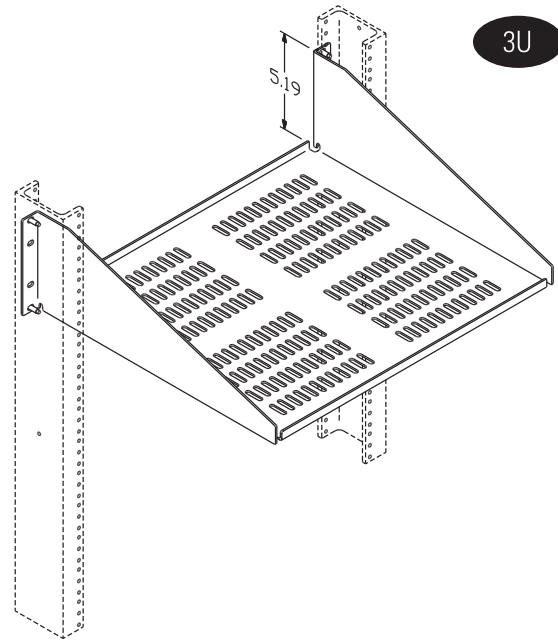


Product Information Sheet

SINGLE-SIDED VENTED SHELF

Supports routers, switches, CPUs or any equipment requiring bottom ventilation. Mounting hardware not included.

- Wall, backboard or rack mountable
- 19" version holds equipment up to 17.25"W x 14.82"D (438.2 mm x 376.4 mm)
- 23" version holds equipment up to 21.25"W x 14.82"D (539.8 mm x 376.4 mm)
- Made of strong, lightweight aluminum with airflow perforations
- Supports up to 50 lb (22.7 kg)



Part Number	Color	Shipping Weight lb (kg)
19" Rack		
40117-119	Gray	6 (2.7)
40117-219	Computer White	6 (2.7)
40117-519	Clear	6 (2.7)
40117-719	Black	6 (2.7)
23" Rack		
40118-123	Gray	8 (3.6)
40118-223	Computer White	8 (3.6)
40118-523	Clear	8 (3.6)
40118-723	Black	8 (3.6)

+1800-834-4969 in U.S. & Canada • www.chatsworth.com



CHATSWORTH PRODUCTS, INC.

©2010 Chatsworth Products, Inc. All rights reserved. CPI, CPI Passive Cooling, MegaFrame, Saf-T-Grip, Seismic Frame, SlimFrame and TeraFrame are federally registered trademarks of Chatsworth Products, Inc. Cube-iT Plus, Evolution, OnTrac, QuadraRack, Simply Efficient and Velocity are trademarks of Chatsworth Products, Inc. All other trademarks belong to their respective companies. 07/10