

Product Information Sheet

FILLER PANEL

Filler panels fill empty spaces between mounted equipment.

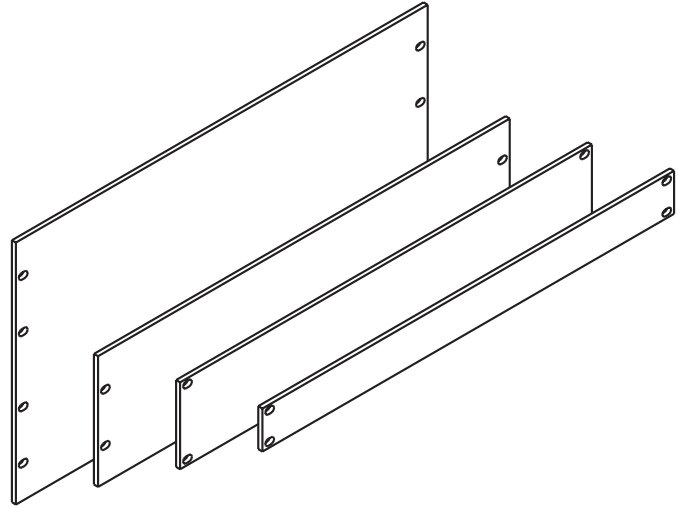
300	Filler Panels	
------------	----------------------	--

	Thickness	Width
24	3/16"	19"
25	3/16"	23"
26	1/8"	19"
27	1/8"	23"

Color	
1	Gray
2	Computer White
5	Clear
7	Black

Mounting Spaces	
01	1.72"
02	3.47"
03	5.22"
04	6.97"
05	8.72"
06	10.47"
07	12.22"
08	13.97"
09	15.72"
10	17.47"
11	19.22"
12	20.97"

300	XX	-	X	XX
------------	-----------	----------	----------	-----------



800-834-4969 in US & Canada • www.chatsworth.com



CHATSWORTH PRODUCTS, INC.

©2002 Chatsworth Products, Inc. 5/02/GT