

Product Information Sheet

RACK RADIUS DROP

The Rack Radius Drop provides a transition from a horizontal cable run onto a rack while maintaining the recommended bend radius. Cable bundles are held securely in place on the Rack Radius Drop by using the included Saf-T-Grip® Center Grommet Buckle Cable Management Strap, (9" length for 12392-X09 and 12393-X01 and 6" length for 12392-X06 and 12394-X01 only).

*For UTP and STP-A, the required bend radius is no less than four times the cable diameter. For optical fiber, the required bend radius is either 10 times the cable diameter or 1.2", whichever is larger. (reference BICSI TDDM).

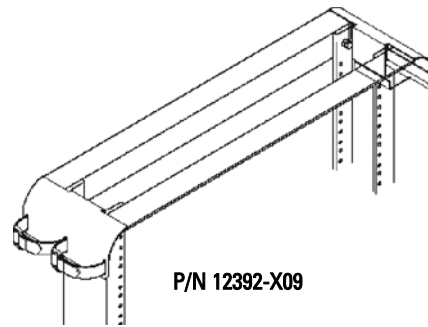
Three styles are available:

3" or 6" rack channels without vertical rack cabling sections use P/N 12392-X06 (3") or 12392-X09 (6").

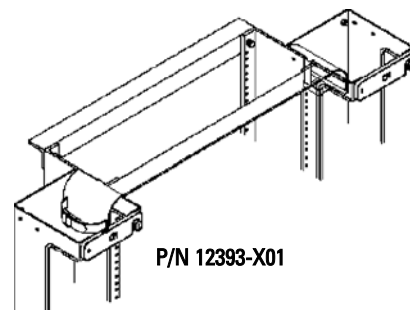
Single sided vertical rack cabling sections (series 11374 and 11730) use the P/N 12393-X01 series.

Double sided vertical rack cabling sections (series 11729 and 12096) use the P/N 12394-X01 series.

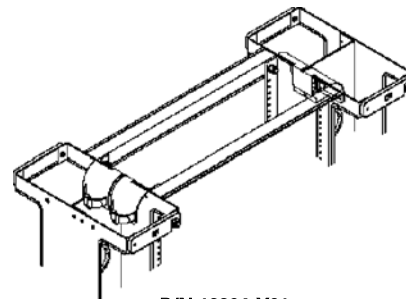
- Provides an organized method to transition from horizontal cable run onto the rack while maintaining bend radius. Styles offered for use with or without vertical rack cabling sections
- Provides 1-1/2" bend radius
- Quick and easy slip-on installation onto rack channel
- Available in four colors to complement rack installations
- Sold individually



P/N 12392-X09



P/N 12393-X01



P/N 12394-X01

Part Number	Description	Shipping Weight
12392-X06	Rack Radius Drop for 3" Rack Channels w/o Vertical Cabling Sections	1 lb
12392-X09	Rack Radius Drop for 6" Rack Channels w/o Vertical Cabling Sections	1 lb
12393-X01	Rack Radius Drop For Use with Single Sided Vertical Cabling Section	1 lb
12394-X01	Rack Radius Drop For Use with Double Sided Vertical Cabling Section	1 lb

* Note: X=Color: 1=Gray, 2=White, 5=Clear, 7=Black

800-834-4969 in US & Canada • www.chatsworth.com