

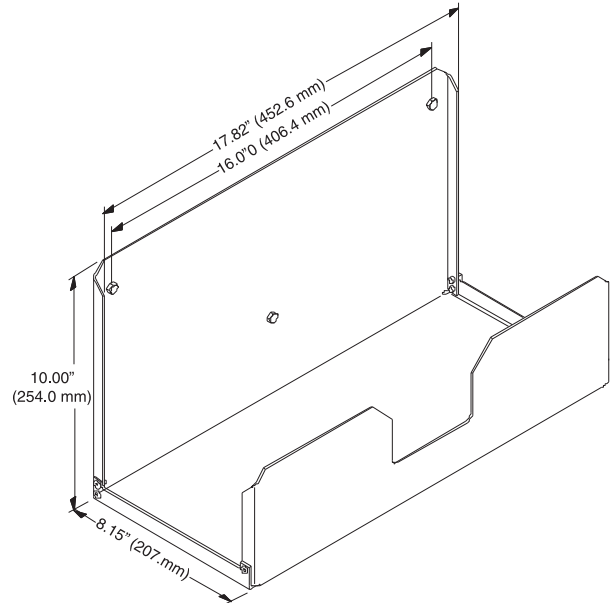
Product Cut Sheet

WALL-MOUNT CPU SHELF

Use the CPI Wall-Mount CPU Shelf whenever you need to raise mini-tower CPUs or other equipment, up to 7.5"W and 17"D (191 mm and 430 mm), off the floor or desk. This lightweight aluminum shelf provides an attractive, easy method to save space, provide convenience and protect CPUs from ground level environment hazards. Mounting hardware not included.

- Mount on secure plywood backboard or wall studs
- Fits most mini-tower CPUs
- Made of sturdy, lightweight aluminum
- Usable Dimensions: 17.35"W x 7.78"D
(440.7 mm x 197.6 mm) maximum
- Supports up to 35 lb (15.9 kg)

Note: CPI strongly recommends that this shelf be securely attached to wall studs or a 3/4" wooden backboard with three 1/4-10 x 2" lag screws.



Part Number	Color	Shipping Weight lb (kg)
12332-101	Gray	5 (2.3)
12332-201	Computer White	5 (2.3)
12332-501	Clear	5 (2.3)
12332-701	Black	5 (2.3)

800-834-4969 in U.S. & Canada • www.chatsworth.com



CHATSWORTH PRODUCTS, INC.

©2012 Chatsworth Products, Inc. All rights reserved. CPI, CPI Passive Cooling, MegaFrame, Saf-T-Grip, Seismic Frame, SlimFrame, TeraFrame, GlobalFrame, Cube-iT Plus, Evolution, OnTrac, QuadraRack and Velocity are federally registered trademarks of Chatsworth Products, Inc. Simply Efficient is a trademark of Chatsworth Products, Inc. All other trademarks belong to their respective companies.