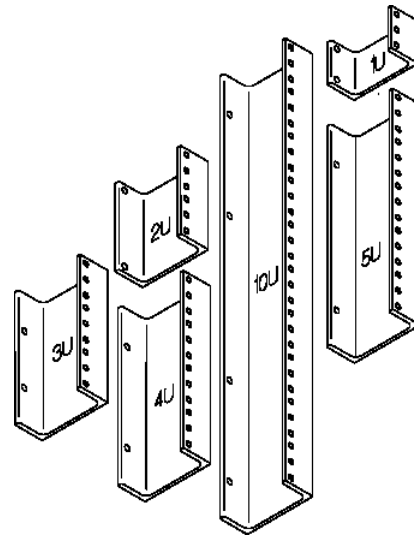
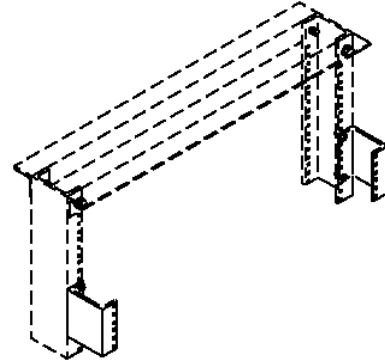


Product Information Sheet

RACK CHANNEL STANDOFFS

CPI Rack Channel Standoffs offer solutions to many electronic component positioning problems including:

- Adding deeper electronic components to existing CPI Wall Racks, Heavy Duty Wall Racks, Standard Stacker Swing Gate Racks, Universal Swing Gate Racks or Self-Support Racks
- Repositioning electronic components mounted on the CPI Standard Stacker Swing Gate Rack to change the swing radius of the component
- Providing improved patch panel cable transitioning when a double-sided cabling section is used with a 3" Rack Channel. (Use 1-1/2" Rack Channel Standoff)
- Repositioning rack mounted electronic components to redistribute component weight or to realign component for whatever reason
- Available in 3 depths and 6 heights
- Packaged one pair per box



Front of channel tapped with 12/24 threaded holes, EIA 310 Universal Holes Spacing.

Part Number	Overall Height	Mounting Holes	Shipping Weight
3" Depth			
12309-X01	1 RMU	3	1 lb
12309-X02	2 RMU	6	1 lb
12309-X03	3 RMU	9	2 lb
12309-X04	4 RMU	12	2 lb
12309-X05	5 RMU	15	2 lb
12309-X10	10 RMU	30	4 lb
6" Depth			
12310-X01	1 RMU	3	1 lb
12310-X02	2 RMU	6	1 lb
12310-X03	3 RMU	9	2 lb
12310-X04	4 RMU	12	2 lb
12310-X05	5 RMU	15	2 lb
12310-X10	10 RMU	30	4 lb
1 1/2" Depth			
12311-X01	1 RMU	3	1 lb
12311-X02	2 RMU	6	1 lb
12311-X03	3 RMU	9	2 lb
12311-X04	4 RMU	12	2 lb
12311-X05	5 RMU	15	2 lb
12311-X10	10 RMU	30	4 lb

Note: X=Color: 1=Gray, 2=White, 5=Clear, 7=Black

800-834-4969 in US & Canada • www.chatsworth.com