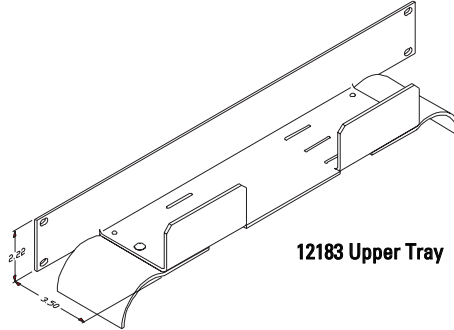


# Product Information Sheet

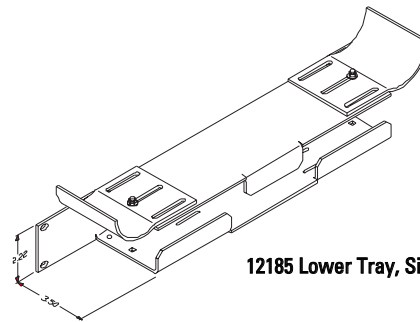
## JUMPER AND TRANSITION TRAYS

The CPI Jumper and Transition Trays aid in compliance with ANSI/TIA/EIA-568B bend radius requirements. Two styles are available to provide upper and lower horizontal/vertical cable management and promote a gradual, controlled bend for both UTP and optical fiber cable. Slotted holes allow bend radius location to be user adjustable. Attachment of optional transition plate creates a solid wireway between racks. Mounting screws not included. Sold individually

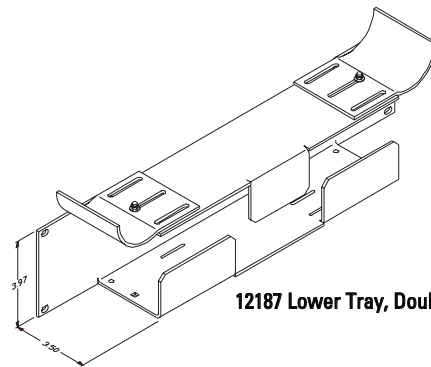
- Provides 1 1/2" bend radius for compliant installation of Category 5/5e/6 or fiber cable
- Telescopes to adjust cable entry or exit position
- Mounts on 19" or 23" rack. May also be wall mounted
- Strong lightweight aluminum construction



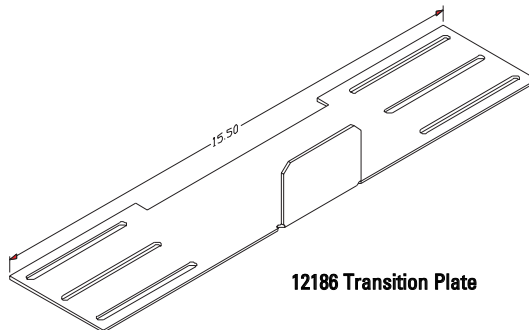
12183 Upper Tray



12185 Lower Tray, Single



12187 Lower Tray, Double



12186 Transition Plate

Upper Tray			
Part Number		Color	Shipping Weight
19"	23"		
12183-119	12183-123	Gray	3 lb
12183-219	12183-223	White	3 lb
12183-519	12183-523	Clear	3 lb
12183-719	12183-723	Black	3 lb
Lower Tray, Single			
12185-119	12185-123	Gray	4 lb
12185-219	12185-223	White	4 lb
12185-519	12185-523	Clear	4 lb
12185-719	12185-723	Black	4 lb
Lower Tray, Double			
12187-119	12187-123	Gray	5 lb
12187-219	12187-223	White	5 lb
12187-519	12187-523	Clear	5 lb
12187-719	12187-723	Black	5 lb
Transition Plate			
12186-101	N/A	Gray	2 lb
12186-201	N/A	White	2 lb
12186-501	N/A	Clear	2 lb
12186-701	N/A	Black	2 lb

800-834-4969 in US & Canada • [www.chatsworth.com](http://www.chatsworth.com)



CHATSWORTH PRODUCTS, INC.

©2002 Chatsworth Products, Inc. 5/02/GT