

# Product Cut Sheet

## SINGLE-SIDED WIDE VERTICAL CABLING SECTION

Provides convenient cable run between equipment racks.  
Conceals cable for a more attractive installation.

- Bolts to CPI Standard and Universal racks and the 6" Deep High Density Frame
- Includes formed cabling section, lockable cabling latches (12" in between latches), protective edge guards, and mounting hardware
- 6"W x 6.38"D; single-sided cable trough
- 9' version consists of 7' section with a 2' extension
- Sold individually

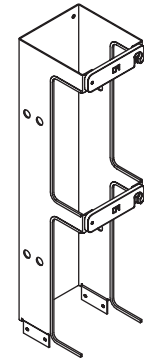
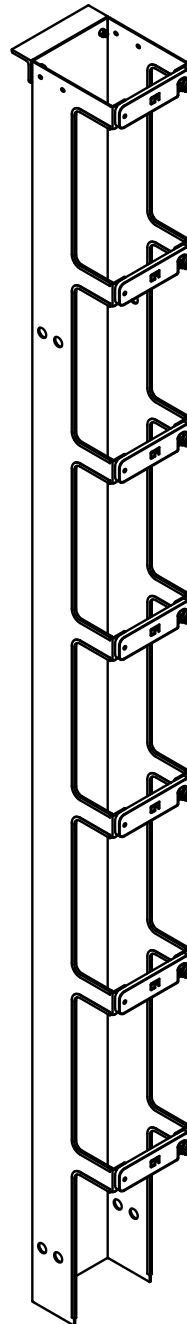
11374	<b>Cabling Section, Single-Sided, Wide</b>		
	<b>Color</b>		
1	Gray		
2	Computer White		
5	Clear		
7	Black		
	<b>Height</b>		
00	Five foot Six inch		
01	Six foot		
02	Six foot Six inch		
03	Seven foot		
05	Seven foot Six inch		
15	Eight foot		
08	Nine foot		
11374	-	X	XX

### Single-Sided Wide Vertical Cabling Section Extensions

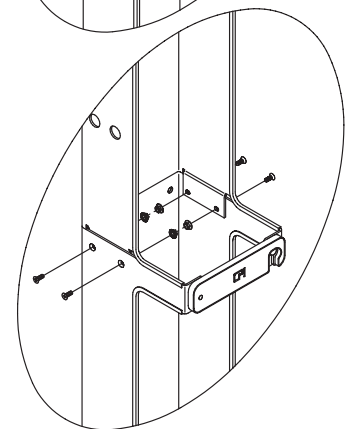
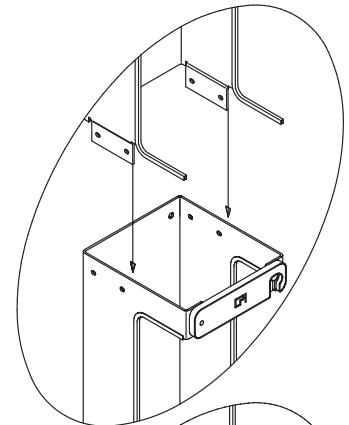
Adds one or two feet of height to vertical cabling sections, providing a uniform vertical pathway from ceiling to rack. Mounting hardware included.

Part Number	Description	Shipping Weight
11584-X01	One-Foot Extension 6"W x 6.38"D	3 lb
11378-X01	Two-Foot Extension 6"W x 6.38"D	4 lb

\* Note: X=color: 1=Gray, 2=White, 5=Clear, 7=Black



Two-Foot Extension



Extension Installation

800-834-4969 in U.S. & Canada • [www.chatsworth.com](http://www.chatsworth.com)



CHATSWORTH PRODUCTS, INC.

©2010 Chatsworth Products, Inc. All rights reserved. CPI, CPI Passive Cooling, MegaFrame, Saf-T-Grip, Seismic Frame, SlimFrame, TeraFrame, Cube-IT Plus, Evolution, OnTrac, and QuadraRack are federally registered trademarks of Chatsworth Products, Inc. GlobalFrame, Simply Efficient and Velocity are trademarks of Chatsworth Products, Inc. All other trademarks belong to their respective companies. 12/10