



FDW75 FusionDome™

With its attractive design and compact size, Moog Videolarm's FusionDome offers versatility and added protection to your video surveillance system.

Compatible with most of today's leading IP and analog camera manufacturers, the FusionDome is constructed of a durable engineered plastic top, 94V0 UV protected, and includes an enhanced optical dome. To better meet the demands of your particular surveillance application, the FusionDome is available with several unique options: pendant or wall mount, 12Vdc input, heater/blower, fixed or PTZ camera bracket, and more.

Key Features

- Thermostatically controlled 12Vdc or 24Vac heater and surge protection (outdoor models only)
- Integrated wall mount standard; pendant mount available (1½" pipe thread)
- Enhanced optically clear lower dome for increased visibility
- Universal mounting plate accepts most IP network and analog camera systems
- Durable engineered plastic top, 94V0 UV protected
- IP66 rated
- PoE models are also available



FDW75175

PTZ

Outdoor / Indoor Housings:

FDW75C2N

IP network ready 7" outdoor dome housing with wall mount, clear polycarbonate dome, with 24Vac input, heater/blower, for an IP network PTZ camera, 120 to 24Vac transformer

IFDP75TN

Indoor dome housing with pendant mount, tinted dome, for an IP network PTZ camera, no electronics

FDW75C12N

12Vdc version of the FDW75C2N

Fixed

Outdoor / Indoor Housings:

FDW75F2N

IP network ready 7" outdoor dome housing with wall mount, clear polycarbonate dome, with 24Vac input, heater/blower, for an IP fixed camera, 120 to 24Vac transformer

IFDP75TF

Indoor dome housing with pendant mount, tinted dome, for an IP network fixed camera, no electronics

PoE

Housings:

FDW75C8N/FDW75CF8N


Standard outdoor wall mount dome housing for PoE and PoE Plus enabled PTZ/fixd cameras. DPA system, 60W, 100-240Vac input, midspan included (see supported cameras)

COMPATIBLE CAMERAS:

To view the latest listing of compatible cameras please visit www.videolarm.com/thirdparty.jsp

PTZ:

	ACM-8201/8211, ACM-8511, CAM-6510
	213, 214, 215, 232D+, 233D
	VB-C10, VB-C300, VB-C50i, VB-C60, VC-C50i
	PTC-200C, PTC-400C, PTC-401C IP
	IK-WB21A
	SND-3080, SND-5080, SND-560 SNP-3301/3370, SNP-1000A
	2564

	iCanView 250/252
	VN-C625U, VN-V685U, VN-C655U, VN-V686BU, VN-V686U
	WV-NS202A, WV-NF284, WV-NS202A, WV-NS954, WV-NF302, WV-NW502S, WV-SF336, KX-HCM180
	SNC-RH124, SNC-RS44/46, SNC-RX530/550/570, SNC-RZ25, SNC-RZ30, SNC-RZ50

ALSO AVAILABLE IN FIXED COMPATIBLE CAMERAS

For detailed list see web site****

ACCESSORIES:

PB24M24

Rugged outdoor wireless box, with a 220/110Vac input and 24Vac output for camera, fuse protected with a wireless 2.4GHz MIMO transmitter. Directional antenna

PRM50G

Heavy-duty aluminum parapet mount bracket with 20" extension, includes 1 1/2" NPT

APM3

Aluminum pole mount bracket with female inserts

SPECIFICATIONS:

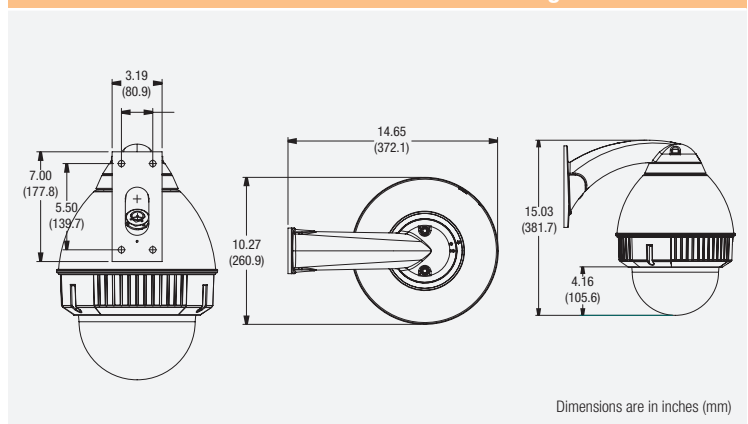
Mechanical Specifications	
Size (h*w*d):	14.7" x 8.2" x 14.5" (374 x 208 x 369mm)
Weight:	11 Lbs. (5 Kg.)
Construction TOP:	3mm engineered plastic
Construction DOME:	Polycarbonate
Mount Bracket:	Machined & cast aluminum

Electrical Specifications	
Power Requirements:	24Vac 55W (Heater/Blower 27W)
Dome 24Vac model:	12Vdc, 50W
Dome 12Vdc model:	(includes 20W for heater)

Environmental Specifications	
Operating Temperature:	-20°F to 120°F (-29°C to 49°C)

Shipping Specifications		
MODEL	SHIPPING WEIGHT	BOX DIMENSIONS
FDW75	110 Lbs. (49.9 Kg.)	17 x 14 x 17 (431.8 x 355.6 x 431.8mm)

Dimensions / Architectural Drawings



Certifications and Ratings

			
UL Listed	WEEE	CE	RoHS