



Four Channel Digital Video Transmission System With Bi-Directional Multi-Protocol Data and Contact Closure

**946
SERIES**
**MULTIMODE
SINGLEMODE**



FEATURES:

- Compatible with NTSC; RS-170A & RS-343A, PAL, and SECAM
- 10 Bit Digital Video Transmission
- Diagnostics: Video, DC Power, Data Activity, Digital Frame Sync, and Optical Presence
- Full Color, Real Time Video Transmission
- Serial Digital Transmission
- Available with Enhanced "Afinety" Intelligent Monitoring System

SPECIFICATIONS:

Video:

I/O Level	1 Vpp (±3 dB)
I/O Impedance	75 Ohms
Bandwidth	7 MHz
Differential Gain	2%
Differential Phase.....	0.7 °
SNR.....	65 dB
Connector.....	BNC

Data:

Choice of: RS485 (2 or 4 Wire), RS422, RS232, or Manchester/Bosch	
Format.....	Asynchronous
Data Rate.....	DC to 115Kbit/s
Connector.....	Terminal Block

Contact Closure:

Input.....	Switch Closure to Ground
Output	Dry Contact
Response Time.....	2 ms
Maximum Voltage.....	100 VDC or Peak AC
Maximum Current.....	0.5 amp
Connector	Terminal Block

Optical (946 Series):

Wavelength	1310/1550 nm
Loss Budget (62.5/125µ).....	12 dB
Maximum Transmission Distance	2 Km
Connector	ST

Optical (946SL Series):

Wavelength	1310/1550 nm
Loss Budget (9/125µ):.....	21 dB
Connector	FC/PC

Temperature (Operating):

-40°C to +75°C, non-condensing

Power Supply:

Module - 12 VDC (AFI Part #: PS-12D)
Rack Card (See AFI Part #: SR-20D/2)

Size:

Module - 8 1/8" x 4 1/8" x 1 1/8"
Rack Card - 6 1/2" x 2" x 5"

Note: Rack Card Requires Two Slots

MULTIMODE ORDERING INFORMATION:

MT-946 = Module Transmitter
RT-946 = Rack Card Transmitter
MR-946 = Module Receiver
RR-946 = Rack Card Receiver

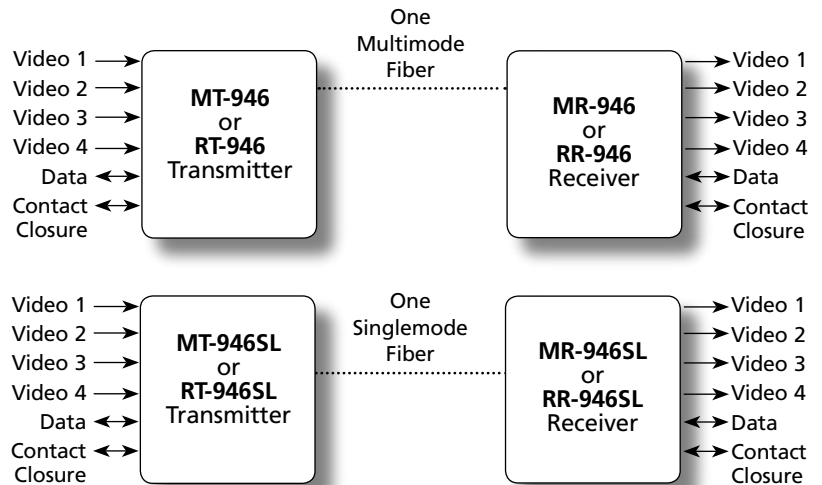
SINGLEMODE ORDERING INFORMATION:

MT-946SL = Module Transmitter
RT-946SL = Rack Card Transmitter
MR-946SL = Module Receiver
RR-946SL = Rack Card Receiver



The American Fibertek 946 Series transmits four channels of high-quality, 10 bit digitized video along with one channel of bi-directional data and one channel of bi-directional contact closure on one multimode optical fiber. The 946SL Series transmits four channels of high-quality, 10 bit digitized video along with one channel of bi-directional data and one channel of bi-directional contact closure on one singlemode optical fiber. Available data formats are switch selectable and include: RS485 (2 or 4 wire), RS422, RS232, and Manchester/Bosch. Designed to be completely transparent to all camera and monitor manufacturers, the system requires no field adjustments at installation or additional maintenance thereafter. Diagnostic indicators provide a quick visual indication of system status. **The "Afinety" intelligent remote monitoring system is available on this product, please consult factory.**

Equipment may be ordered as stand alone modules or rack cards that are mounted in SR-20D/2 or SR-20R/1 American Fibertek Card Cages.



SEE WEBSITE FOR CURRENT RoHS PRODUCT AVAILABILITY