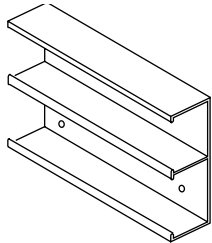




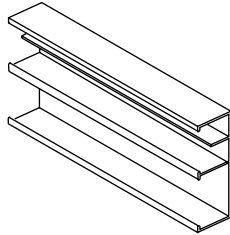
5400 Series Surface Nonmetallic Raceway System

INSTALLATION INSTRUCTIONS

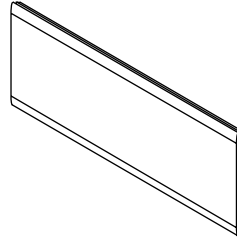
Wiremold Electrical Systems conform to and should be installed and properly grounded in compliance with requirements of the current National Electrical Code, Canadian Electrical Code or codes administered by local authorities.
 All electrical products may represent possible shock or fire hazard if improperly installed or used. Wiremold electrical products are UL listed. Made for interior use only and should be installed in conformance with current local and/or the National Electrical Code.



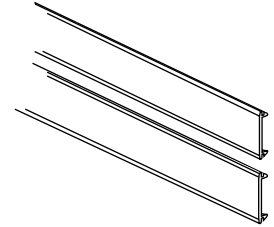
5400TB



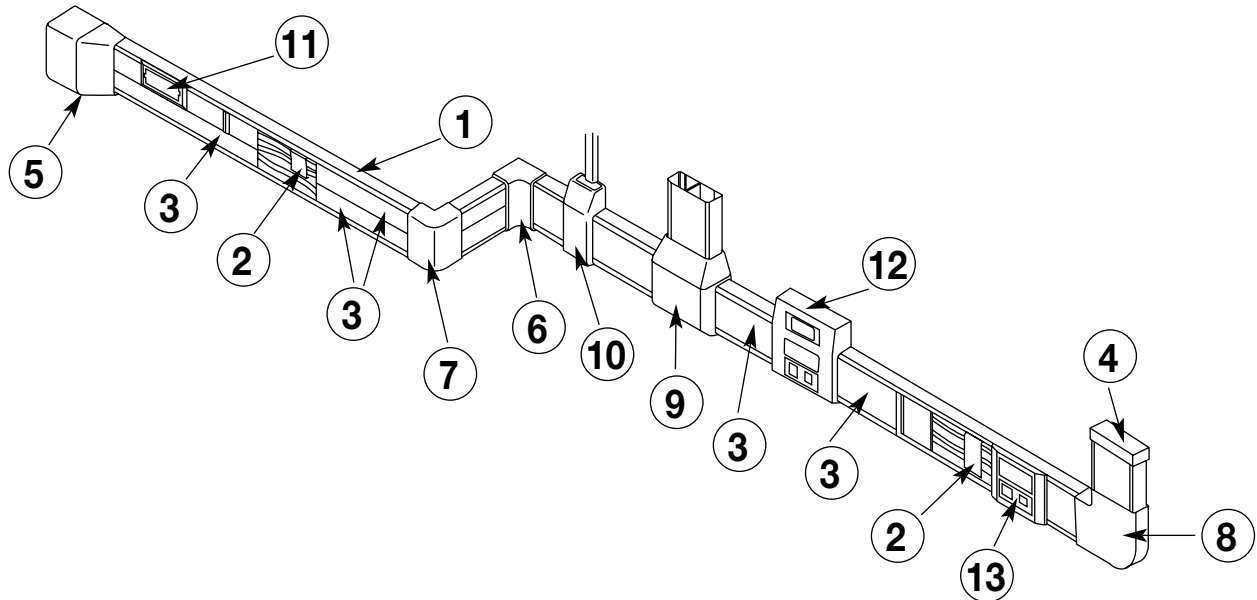
5400TBD



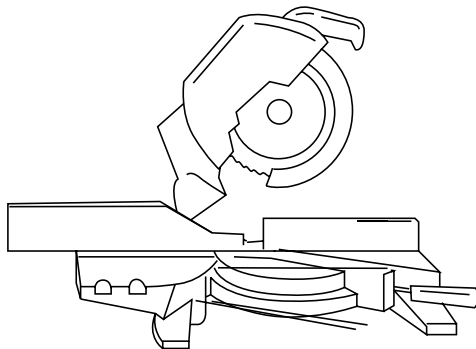
5400C



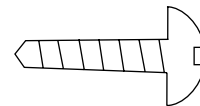
5400TC



Recommended Cutting Tools & Fasteners*



Miter Saw

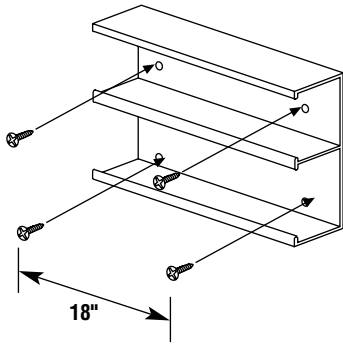


#8 [5/16", 7.9mm Head Size]
Pan Head Screw

* Not supplied.

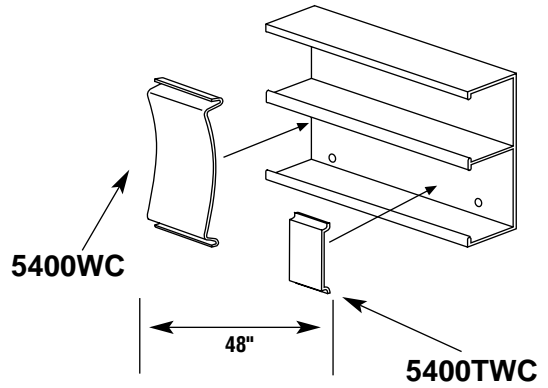
Typical Installation Layout

1



5400TB/5400TBD

2

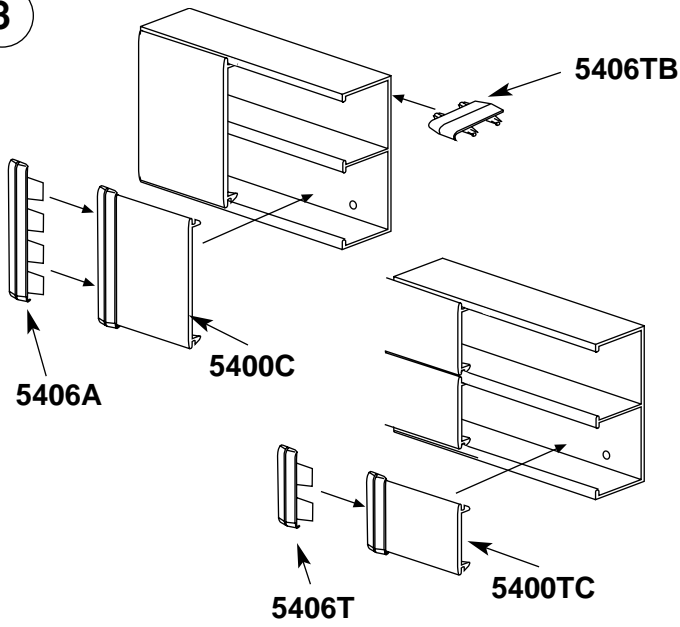


5400WC

48"

5400TWC

3



5406TB

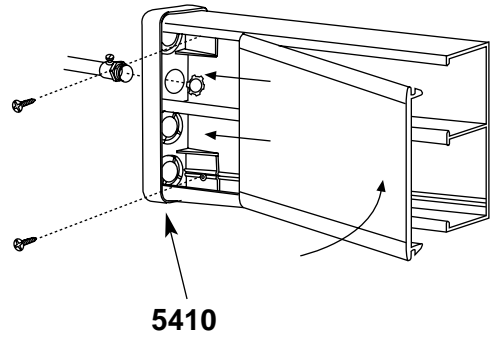
5406A

5400C

5406T

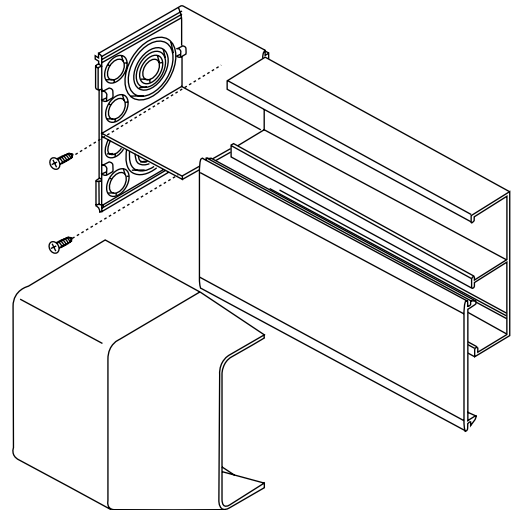
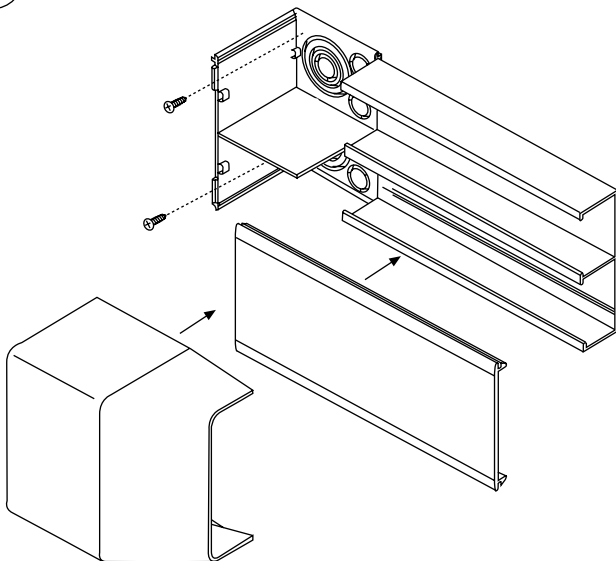
5400TC

4



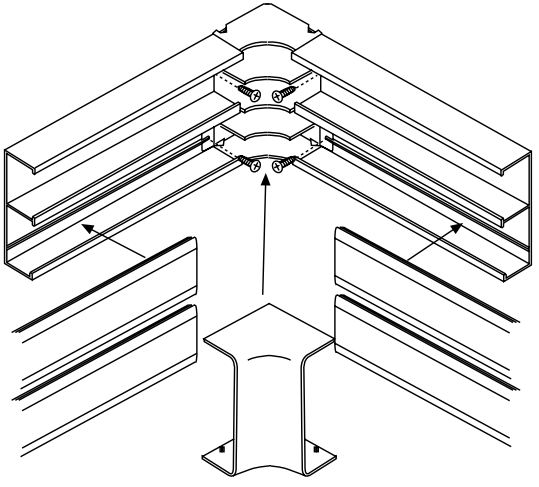
5410

5



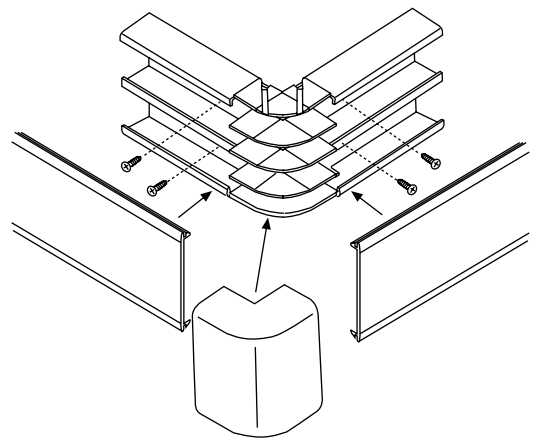
5410D

6



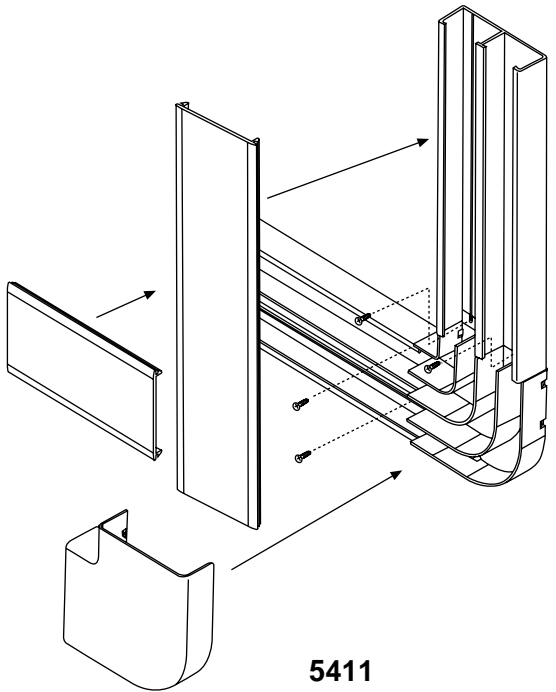
5417

7



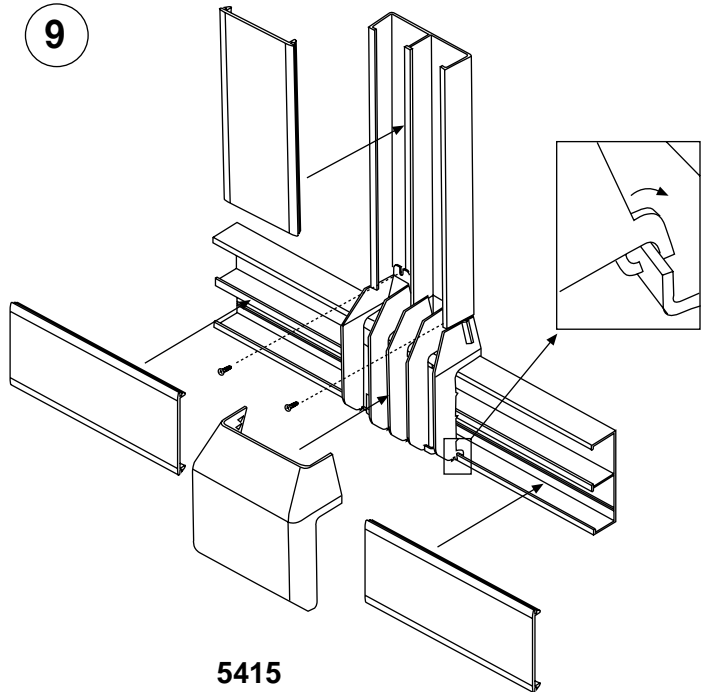
5418

8



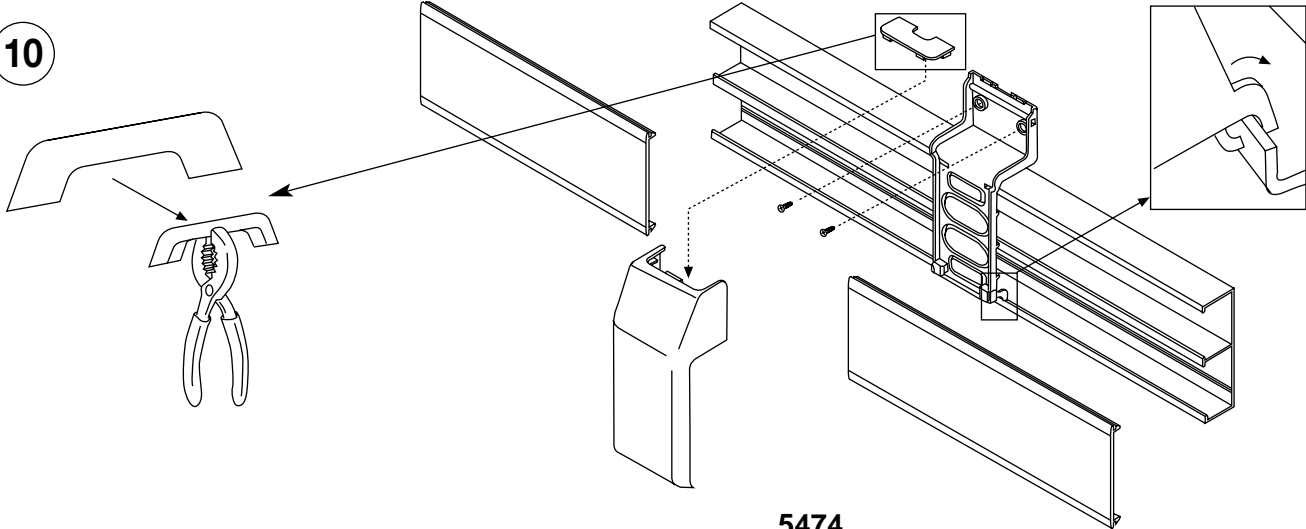
5411

9



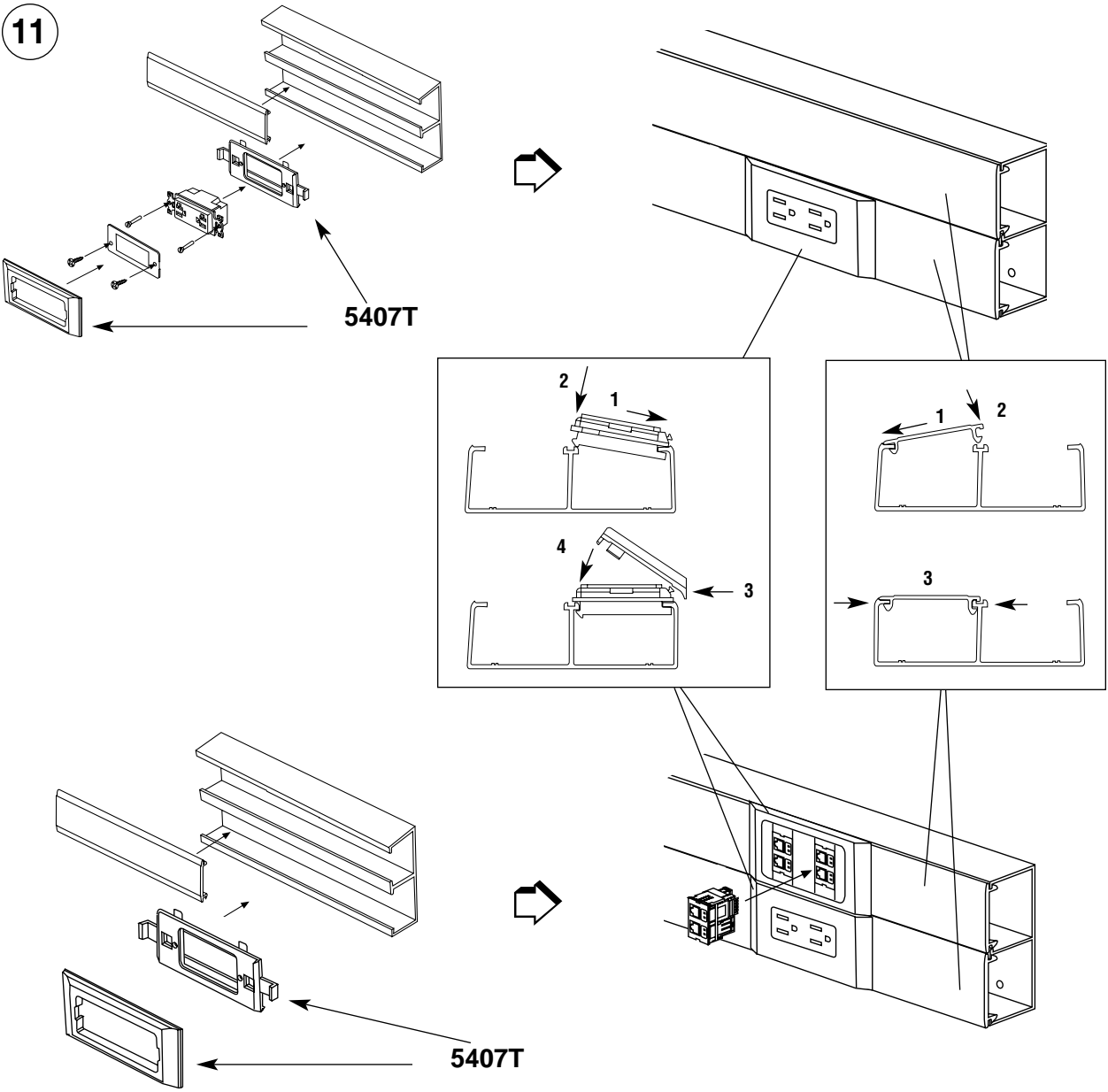
5415

10

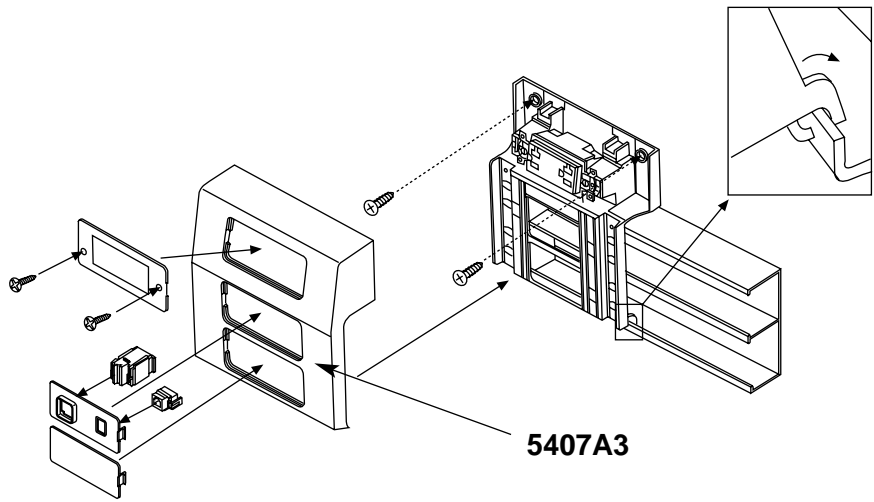


5474

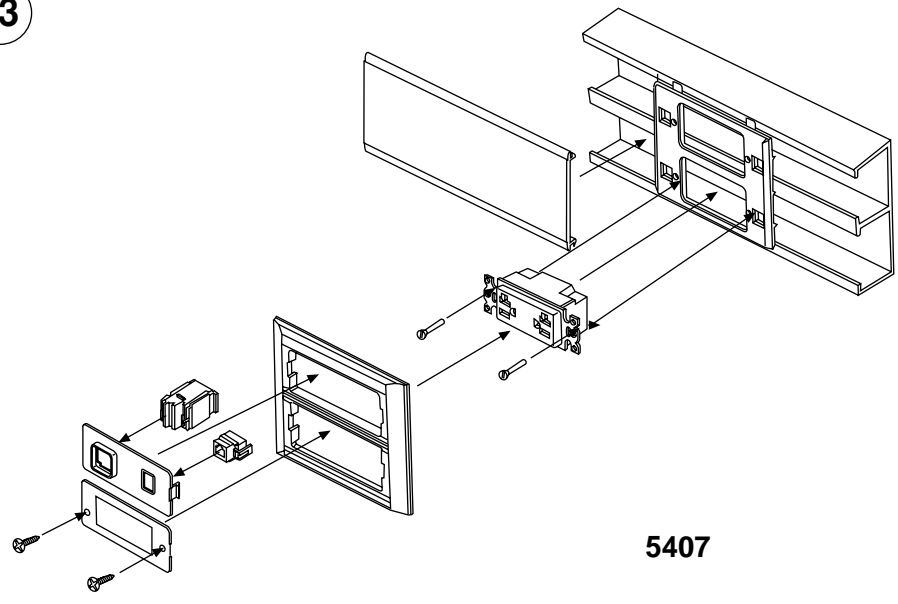
11



12



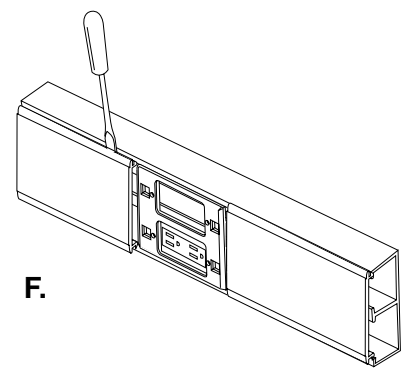
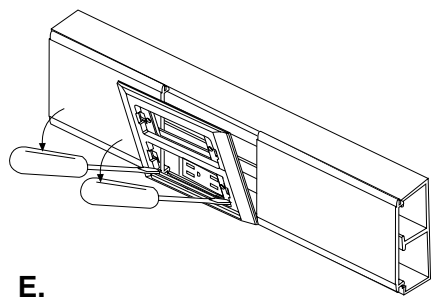
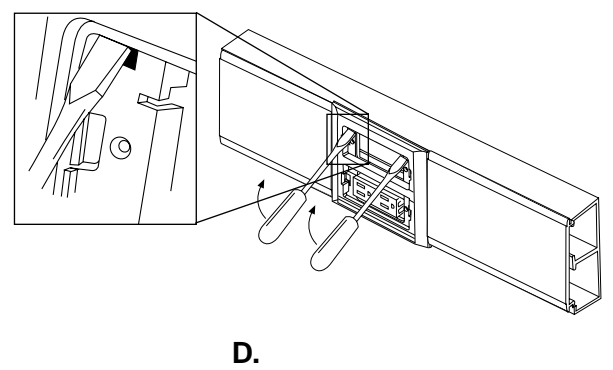
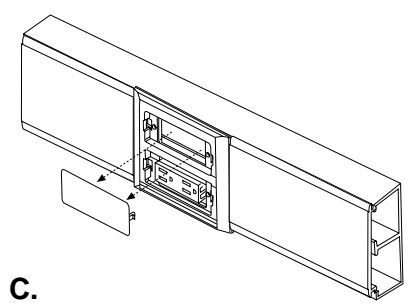
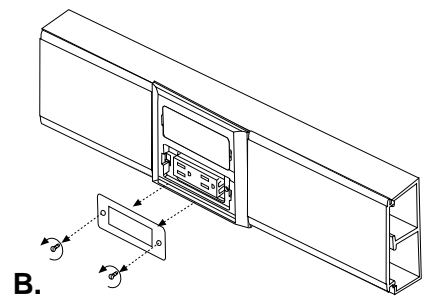
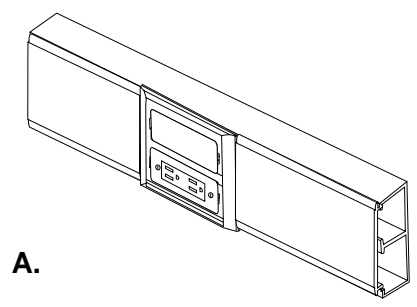
13



5407

14

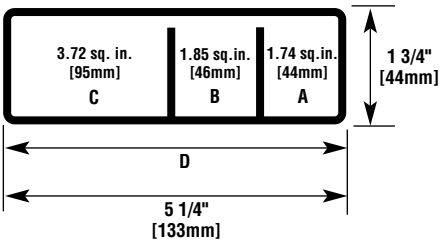
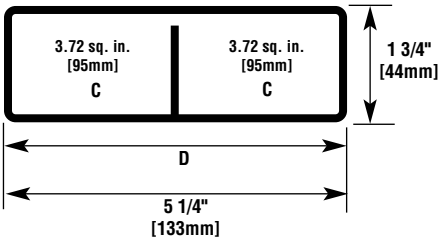
Disassembly



5400 RACEWAY WIRE FILL CAPACITIES FOR COMMUNICATION (DIVIDED)*

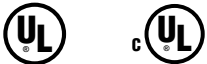
	CABLE/WIRE SIZE	O.D.		20% FILL			40% FILL		
		Inches	[mm]	A	B	C	A	B	C
UNSHIELDED TWISTED PAIR	4-pair, 24 AWG Cat 5 UTP	0.220	[5.6]	9	9	19	18	19	39
	4-pair, 24 AWG Cat.3 UTP	0.190	[4.8]	12	13	26	24	26	52
TELEPHONE	2-pair, 24 AWG	0.140	[3.6]	22	24	48	45	48	96
	3-pair, 24 AWG	0.150	[3.8]	19	20	42	39	41	84
	4-pair, 24 AWG	0.190	[4.8]	12	13	26	24	26	52
	25-pair, 24 AWG	0.410	[10.4]	2	2	5	5	5	11
COAXIAL	RG58/U	0.195	[5.0]	11	12	24	23	24	4
	RG59/U	0.242	[6.1]	7	8	16	15	16	32
	RG62/U	0.242	[6.1]	7	8	16	15	16	32
	RG6/U	0.270	[6.9]	6	6	12	12	12	25
TWINAXIAL	100 Ohm	0.330	[8.4]	4	4	8	8	8	17
SHIELDED TWISTED PAIR	TYPE 1	0.390	[9.9]	2	3	6	5	6	12
	TYPE 2	0.465	[11.8]	2	2	4	4	4	8
	TYPE 3	0.245	[6.2]	7	7	15	14	15	31
FIBER OPTIC	Two Strand (Duplex) Multimode,62.5/125 μm	0.190	[4.8]	12	13	26	24	26	52

*Capacity range is calculated at 20% to 40% of raceway area as stated in a proposed revision to the Commercial Building Standard for Telecommunication Pathways & Spaces, EIA/TIA-569. Actual wire fill capacity may vary based on applications, cable types, and number, as well as type of fittings. (Fittings may cause additional variances to the fill capacity.)



Wire Capacity 5400 Raceway					
WITHOUT DEVICES					
	14	12	10	8	6
A	41	30	35	13	13
B	41	30	35	13	13
C	71	48	60	26	26
D	71	48	60	26	26
WITH IN-LINE DEVICES					
	14	12	10	8	6
A					
B					
C	71	48	60	26	26
D	71	48	60	26	26
Note — No one compartment may exceed capacity specified in A, B, and C. Total Raceway wire capacity may not exceed as specified in D					

Wire Capacity is reduced to allow for proper conductor bend radius and maximum permissible heat rise.



The Wiremold Company
60 Woodlawn Street
West Hartford, CT 06110
1-800-621-0049 • Fax 860-232-2062