

Small, Two-Piece, Nonmetallic Raceway Systems


Ideal for Low Voltage and Power Applications

The 400, 800, and 2300 Series™ Raceways, from Wiremold/Legrand, are a family of single compartment raceway systems designed for communication or power applications. Ideal for use in classrooms, offices, hotel applications, or anywhere a small, secure, low profile raceway is needed. The 2300BACD Nonmetallic Divided Raceway is ideal for use when power and low voltage cabling are needed in a single raceway.

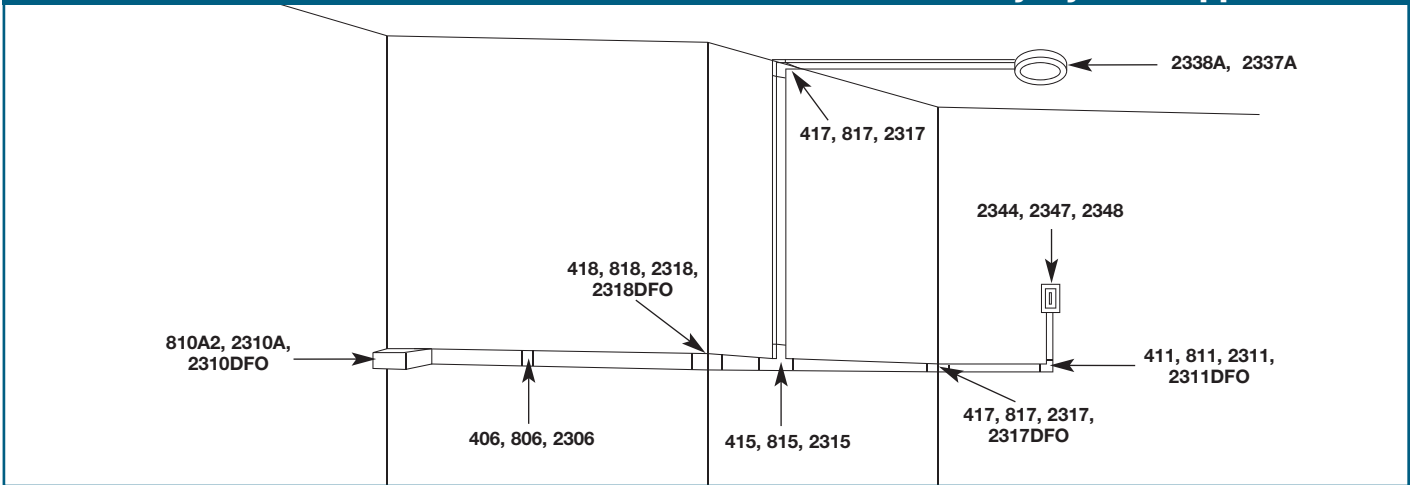


400, 800, 2300, and 2300D
Series Raceway Profiles

Features & Benefits

- **Accommodates communication and/or power wiring.** Can be used for communications, computer lines, surveillance systems, fire alarms, outlets, and more.
- **Available in three sizes.** 400BAC, 800BAC, and 2300BAC sizes provide flexibility for meeting a variety of capacity requirements. Perfect for most small drops and horizontal runs to work stations.
- **Durable, textured PVC ivory or white finish.** Blends with any decor. Paintable using latex paint. Consult factory for custom color options.
- **Single- and dual-compartment low profile design.** Provides functionality and flexibility with aesthetics for single- or dual-service applications.
- **Adhesive backing for low voltage (under 50V) applications.** Allows base to be pressed onto mounting surface. Speeds installation.
- **Lightweight and easy to handle.** Saves time and labor costs. Standard 5' [1.525m] raceway lengths can be easily installed by one person. Custom lengths up to 10' [3.05m] are also available.
- **Divided FiberReady® fittings.** For use with 2300BAC and 2300BACD. Full capacity fittings provide 2" [51mm] bend radius.
- **Over-the-raceway box for 2300 and 2300D.** Boxes mount over continuous run of raceway base eliminating the need to cut raceway when locating devices.
- **Sure-Snap® boxes for 2300BACD.** Provides flush look and ease of installation.
- **Snap-on cover.** Provides security with access to wiring for changes or additions.
- **Datacom connectivity options.** Accepts industry standard and proprietary devices from a wide range of manufacturers to provide a seamless and aesthetically pleasing interface for voice, data, audio, and video applications at the point of use.
-  **UL** Listed File E90378 Raceway, E90377 Fittings.

400BAC, 800BAC, 2300BAC, 2300BACD Series Raceway System Application



NOTE: Illustration shows product applications only. 2315 Tee Fitting cannot be used with 2300BACD Divided Raceway.

400BAC, 800BAC, 2300BAC, 2300BACD Raceway Series Wire Fill Capacities for Power

WIRE SIZE THHN/THWN	O.D.		NUMBER OF CONDUCTORS			
	Inches	[mm]	400BAC	800BAC	2300BAC	2300BACD [†]
14 AWG	0.111	[2.8]	5	6	25	12
12 AWG	0.130	[3.3]	3	5	18	8
10AWG	0.164	[4.2]	0	4	12	5

400BAC, 800BAC, 2300BAC, 2300BACD Raceway Series Wire Fill Capacities for Communications

	CABLE/WIRE SIZE	O.D.		40% FILL*			
		inches	[mm]	400	800	2300	2300D [†]
UNSHIELDED TWISTED PAIR	4-Pair, 24 AWG Cat. 3	0.190	[4.8]	1	3	11	5
	4-Pair, 24 AWG Cat. 5e	0.210	[5.3]	1	3	9	4
	4-Pair, 24 AWG Cat. 6	0.250	[6.3]	1	2	6	3
	4-Pair, 24 AWG Cat. 6a**	0.354	[9.0]	0	1	3	1
	25-Pair, 24 AWG	0.410	[10.4]	0	0	2	1
COAXIAL	RG6/U	0.270	[6.9]	0	1	5	2
FIBER	Zip Cord 0.118 x 0.157	[3 x 6]	1	3	12	6	
	Round 4 Strand Fiber	0.187	[4.8]	1	3	12	6
	Round 6 Strand Fiber	0.256	[6.5]	1	2	6	3

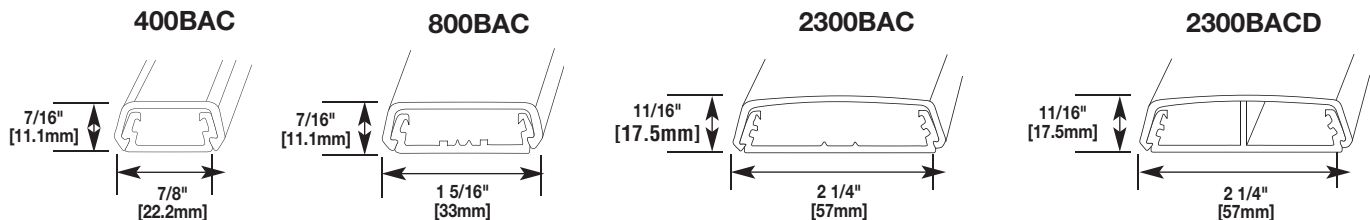
* Wire capacity is reduced to allow for proper conductor bend radius and maximum permissible heat rise.

** Category 6 augmented (6a) cable for 10 gigabit ethernet – max allowed cable diameter per addenda No. 11 ANSI TIA/EIA 568-B.2.

[†] each compartment.

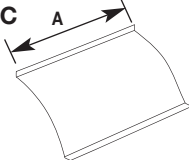
400BAC, 800BAC, 2300BAC, 2300BACD Series

Catalog No./Item	Description/Specifications
400BAC 400BAC-WH 800BAC 800BAC-WH 2300BAC 2300BAC-WH 2300BACD 2300BACD-WH	Low profile, two-piece raceway with snap-on cover – Available in 5' [1.525m] and length. Supplied with wide adhesive tape along entire length of base.

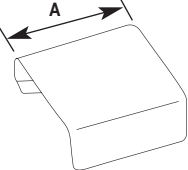


400BAC, 800BAC, 2300BAC, 2000BACD Series Fittings

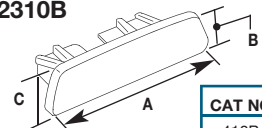
Catalog No./Item	Description/Specifications								
400WC 800WC 2300WC	Wire Clip – For holding conductors in place. <table border="1" style="margin-top: 10px; width: 100px; border-collapse: collapse;"> <thead> <tr> <th>CAT NO.</th> <th>A</th> </tr> </thead> <tbody> <tr> <td>400WC</td> <td>1/2" [12.7mm]</td> </tr> <tr> <td>800WC</td> <td>1" [25mm]</td> </tr> <tr> <td>2300WC</td> <td>1" [25mm]</td> </tr> </tbody> </table>	CAT NO.	A	400WC	1/2" [12.7mm]	800WC	1" [25mm]	2300WC	1" [25mm]
CAT NO.	A								
400WC	1/2" [12.7mm]								
800WC	1" [25mm]								
2300WC	1" [25mm]								



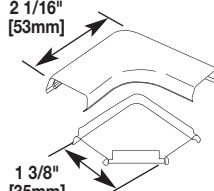
406 806 2306	Cover Clip – For covering joint where two pieces of 400BAC, 800BAC or 2300BAC Series Raceway cover come together. <table border="1" style="margin-top: 10px; width: 100px; border-collapse: collapse;"> <thead> <tr> <th>CAT NO.</th> <th>A</th> </tr> </thead> <tbody> <tr> <td>406</td> <td>13/16" [20.6mm]</td> </tr> <tr> <td>806</td> <td>1" [25mm]</td> </tr> <tr> <td>2306</td> <td>2" [51mm]</td> </tr> </tbody> </table>	CAT NO.	A	406	13/16" [20.6mm]	806	1" [25mm]	2306	2" [51mm]
CAT NO.	A								
406	13/16" [20.6mm]								
806	1" [25mm]								
2306	2" [51mm]								



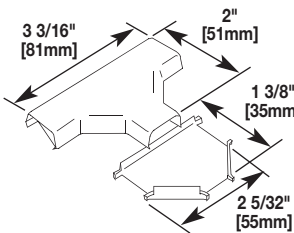
410B 810B 2310B	Blank End Fitting – For closing open end of 400BAC, 800BAC, or 2300BAC Raceway Series. <table border="1" style="margin-top: 10px; width: 150px; border-collapse: collapse;"> <thead> <tr> <th>CAT NO.</th> <th>A</th> <th>B</th> <th>C</th> </tr> </thead> <tbody> <tr> <td>410B</td> <td>13/16" [20.6mm]</td> <td>1/2" [12.7mm]</td> <td>3/8 [9.5mm]</td> </tr> <tr> <td>810B</td> <td>1 1/4" [32mm]</td> <td>1/2" [12.7mm]</td> <td>3/8 [9.5mm]</td> </tr> <tr> <td>2310B</td> <td>2 1/4" [57mm]</td> <td>1" [25mm]</td> <td>3/8 [9.5mm]</td> </tr> </tbody> </table>	CAT NO.	A	B	C	410B	13/16" [20.6mm]	1/2" [12.7mm]	3/8 [9.5mm]	810B	1 1/4" [32mm]	1/2" [12.7mm]	3/8 [9.5mm]	2310B	2 1/4" [57mm]	1" [25mm]	3/8 [9.5mm]
CAT NO.	A	B	C														
410B	13/16" [20.6mm]	1/2" [12.7mm]	3/8 [9.5mm]														
810B	1 1/4" [32mm]	1/2" [12.7mm]	3/8 [9.5mm]														
2310B	2 1/4" [57mm]	1" [25mm]	3/8 [9.5mm]														



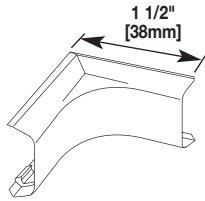
411*	90° Flat Elbow – For right angle turns on same surface. <table border="1" style="margin-top: 10px; width: 100px; border-collapse: collapse;"> <thead> <tr> <th>CAT NO.</th> <th>A</th> </tr> </thead> <tbody> <tr> <td>411*</td> <td>2 1/16" [53mm]</td> </tr> <tr> <td>411*</td> <td>1 3/8" [35mm]</td> </tr> </tbody> </table>	CAT NO.	A	411*	2 1/16" [53mm]	411*	1 3/8" [35mm]
CAT NO.	A						
411*	2 1/16" [53mm]						
411*	1 3/8" [35mm]						



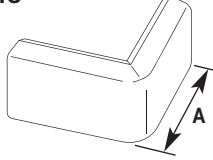
415*	Tee – For branches at right angles. <table border="1" style="margin-top: 10px; width: 150px; border-collapse: collapse;"> <thead> <tr> <th>CAT NO.</th> <th>A</th> <th>B</th> </tr> </thead> <tbody> <tr> <td>415*</td> <td>3 3/16" [81mm]</td> <td>2" [51mm]</td> </tr> <tr> <td>415*</td> <td>1 3/8" [35mm]</td> <td>2 5/32" [55mm]</td> </tr> </tbody> </table>	CAT NO.	A	B	415*	3 3/16" [81mm]	2" [51mm]	415*	1 3/8" [35mm]	2 5/32" [55mm]
CAT NO.	A	B								
415*	3 3/16" [81mm]	2" [51mm]								
415*	1 3/8" [35mm]	2 5/32" [55mm]								

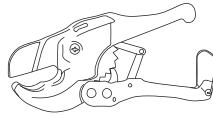


417*	Internal Elbow – For surfaces at right angles. <table border="1" style="margin-top: 10px; width: 100px; border-collapse: collapse;"> <thead> <tr> <th>CAT NO.</th> <th>A</th> </tr> </thead> <tbody> <tr> <td>417*</td> <td>1 1/2" [38mm]</td> </tr> </tbody> </table>	CAT NO.	A	417*	1 1/2" [38mm]
CAT NO.	A				
417*	1 1/2" [38mm]				

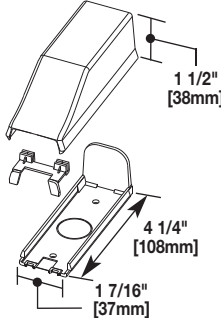


418 818 2318*	90° External Elbow – For right angle turns around external corners. <table border="1" style="margin-top: 10px; width: 100px; border-collapse: collapse;"> <thead> <tr> <th>CAT NO.</th> <th>A</th> </tr> </thead> <tbody> <tr> <td>418</td> <td>1 1/2" [38mm]</td> </tr> <tr> <td>818</td> <td>2" [51mm]</td> </tr> <tr> <td>2318</td> <td>2 1/2" [64mm]</td> </tr> </tbody> </table>	CAT NO.	A	418	1 1/2" [38mm]	818	2" [51mm]	2318	2 1/2" [64mm]
CAT NO.	A								
418	1 1/2" [38mm]								
818	2" [51mm]								
2318	2 1/2" [64mm]								

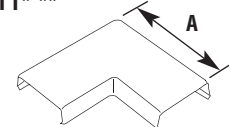


PVC-1	PVC Cutter – Regular duty cutter. Ideal for use with small nonmetallic raceway. 
-------	---

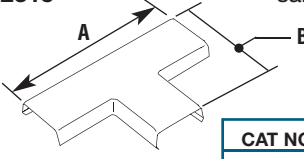
810A2	Entrance End Fitting – For connecting 400 or 800 Series Raceway with 1/2" trade size conduit or armored cable. 1/2" trade size KO on end and bottom. <table border="1" style="margin-top: 10px; width: 150px; border-collapse: collapse;"> <thead> <tr> <th>CAT NO.</th> <th>A</th> <th>B</th> <th>C</th> </tr> </thead> <tbody> <tr> <td>810A2</td> <td>1 1/2" [38mm]</td> <td>4 1/4" [108mm]</td> <td>1 7/16" [37mm]</td> </tr> </tbody> </table>	CAT NO.	A	B	C	810A2	1 1/2" [38mm]	4 1/4" [108mm]	1 7/16" [37mm]
CAT NO.	A	B	C						
810A2	1 1/2" [38mm]	4 1/4" [108mm]	1 7/16" [37mm]						



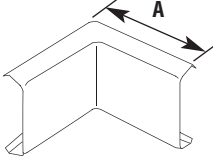
811 2311**	90° Flat Elbow – For right angle turns on same surface. <table border="1" style="margin-top: 10px; width: 100px; border-collapse: collapse;"> <thead> <tr> <th>CAT NO.</th> <th>A</th> </tr> </thead> <tbody> <tr> <td>811</td> <td>2 1/2" [64mm]</td> </tr> <tr> <td>2311</td> <td>4 3/16" [106mm]</td> </tr> </tbody> </table>	CAT NO.	A	811	2 1/2" [64mm]	2311	4 3/16" [106mm]
CAT NO.	A						
811	2 1/2" [64mm]						
2311	4 3/16" [106mm]						



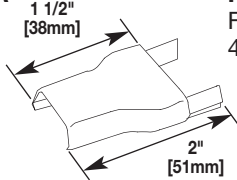
815 2315**	Tee – For right angles turns on same surface. <table border="1" style="margin-top: 10px; width: 150px; border-collapse: collapse;"> <thead> <tr> <th>CAT NO.</th> <th>A</th> <th>B</th> </tr> </thead> <tbody> <tr> <td>815</td> <td>4 1/8" [105mm]</td> <td>2 3/4" [70mm]</td> </tr> <tr> <td>2315</td> <td>6" [152mm]</td> <td>4 1/8" [105mm]</td> </tr> </tbody> </table>	CAT NO.	A	B	815	4 1/8" [105mm]	2 3/4" [70mm]	2315	6" [152mm]	4 1/8" [105mm]
CAT NO.	A	B								
815	4 1/8" [105mm]	2 3/4" [70mm]								
2315	6" [152mm]	4 1/8" [105mm]								



817 2317*	Internal Elbow – For surfaces at right angles. <table border="1" style="margin-top: 10px; width: 100px; border-collapse: collapse;"> <thead> <tr> <th>CAT NO.</th> <th>A</th> </tr> </thead> <tbody> <tr> <td>817</td> <td>2" [51mm]</td> </tr> <tr> <td>2317</td> <td>2 1/2" [64mm]</td> </tr> </tbody> </table>	CAT NO.	A	817	2" [51mm]	2317	2 1/2" [64mm]
CAT NO.	A						
817	2" [51mm]						
2317	2 1/2" [64mm]						

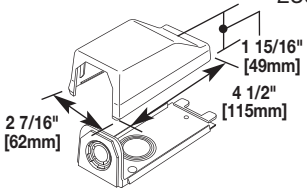
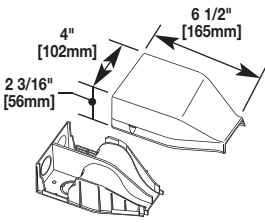
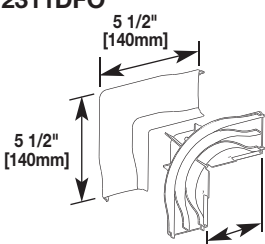
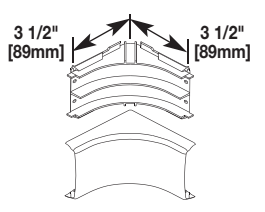
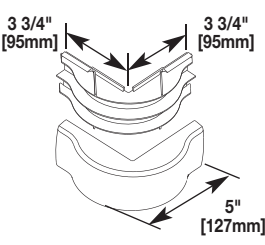
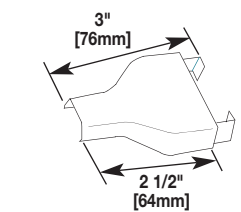


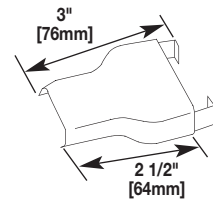
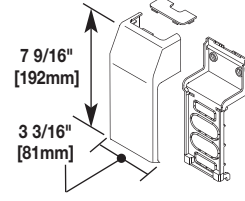
889A	Reducing Connector (800-400) – For transitioning from 800 to 400 Series Raceway. <table border="1" style="margin-top: 10px; width: 100px; border-collapse: collapse;"> <thead> <tr> <th>CAT NO.</th> <th>A</th> </tr> </thead> <tbody> <tr> <td>889A</td> <td>1 1/2" [38mm]</td> </tr> <tr> <td>889A</td> <td>2" [51mm]</td> </tr> </tbody> </table>	CAT NO.	A	889A	1 1/2" [38mm]	889A	2" [51mm]
CAT NO.	A						
889A	1 1/2" [38mm]						
889A	2" [51mm]						



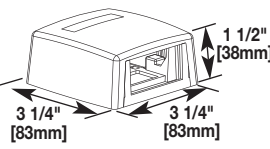
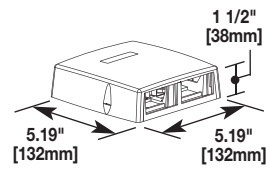
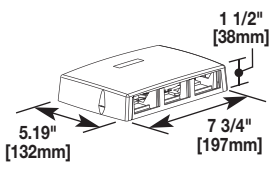
NOTE: No suffix denotes ivory finish. Add "-WH" suffix for white finish.
 * For 2300BAC and 2300BACD Raceway must be mitered to use 2311 and 2318. 2315 cannot be used in divided raceway.

400, 800, 2300, 2300D Series and Communication Boxes

Catalog No./Item	Description/Specifications
2310A	<p>Entrance End Fitting – 1/2", 3/4", and 1" trade size KOs for feeding 2300 Series Raceway.</p> 
2310DFO	<p>Bend Radius Divided Entrance End Fitting – Divided fitting to feed 2300BAC and 2300BACD Series Raceway. Includes 1/2", 3/4" and 1" trade size KOs on back and top.</p> 
2311DFO	<p>Bend Radius Divided Flat Elbow – A 90° flat corner with integral dividers to provide 2" [51mm] cable bend radius for UTP and fiber optic installations.</p> 
2317DFO	<p>Bend Radius Divided Internal Elbow – A 90° internal corner with integral dividers to provide 2" [51mm] cable bend radius for UTP and fiber optic installations.</p> 
2318DFO	<p>Bend Radius Divided External Elbow – A 90° external corner with integral dividers to provide 2" [51mm] cable bend radius for UTP and fiber optic installations.</p> 
2389	<p>Reducing Connector (2300BAC-800BAC) – For transitioning from 2300BAC to 800BAC Series Raceway.</p> 

Catalog No./Item	Description/Specifications
2389A	<p>Reducing Connector (2300BAC-400BAC) – For transitioning from 2300BAC to 400BAC Series Raceway.</p> 
5474	<p>Transition Tap Fitting – Makes transition from 5400 Raceway to 400BAC, 800BAC, 2300BAC Series Raceway.</p> 

Communication Boxes

Catalog No./Item	Description/Specifications
CM-MMB-231	<p>One Insert Multimedia Box – Compatible with 400BAC and 800BAC Series Raceway. Accepts Pass & Seymour Activate Inserts and Wiremold Open System Communication Modules.</p> 
CM-MMB-232	<p>Two Insert FiberReady® Multimedia Box – Compatible with 400BAC, 800BAC, and 2300BAC Series Raceway. Accepts Pass & Seymour Activate Inserts and Wiremold Open System Communications Modules.</p> 
CM-MMB-233	<p>Three-Insert FiberReady® Multimedia Box – Compatible with 400BAC, 800BAC and 2300BAC Series Raceway. Accepts Pass & Seymour Activate Inserts and Wiremold Open System Communications Modules.</p> 

NOTE: No suffix denotes ivory finish. Add “-WH” suffix for white finish.

400BAC, 800BAC, 2300BAC Series Raceway Sure-Snap® Device Boxes

- **Interchangeable covers and bases.** Provides installation flexibility.
- **Large knockout.** Accommodates many cable types and quantities.
- **Cover removes easily.** One twist of a screwdriver removes the cover for fast changes.
- **No screws to assemble.** The secure snap assembly requires fewer tools and parts, which means a shorter installation time.



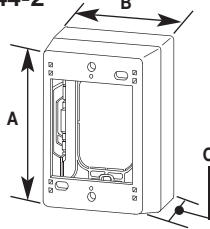
Sure-Snap Device Boxes are available in a variety of sizes and depths.

400BAC, 800BAC, 2300BAC Series Raceway Sure-Snap® Device Boxes (For Non-Divided Raceways)

Catalog No./Item

Description/Specifications

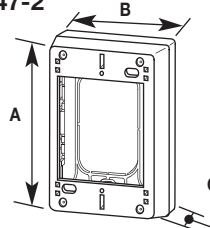
2344
2344-2



Extra Deep Device Box – 2344 one-gang, 2344-2 two-gang. 2344-2 base has rectangular KO to enable extension from existing single-gang flush wall box and 1/2" and 1" trade size concentric KOs. Accepts NEMA Faceplates

CAT #	GANG(s)	A	B	C
2344	1	4 3/4" [121mm]	3" [76mm]	2 3/4" [70mm]
2344-2	2	4.3/4" [121mm]	4 7/8" [124mm]	2 3/4" [70mm]

2347
2347-2



Device Box – 2347 one-gang, 2347-2 two-gang. For standard switches and devices. 2347 and 2347-2 Bases have rectangular KO to enable extension from existing flush wall box and 1/2" and 1" trade size concentric KOs. Accepts NEMA Faceplates

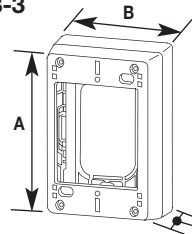
CAT #	GANG(S)	A	B	C
2347	1	4 3/4" [121mm]	3" [76mm]	1 3/8" [35mm]
2347-2	2	4 3/4" [121mm]	4 7/8" [124mm]	1 3/8" [35mm]

NOTE: No suffix denotes ivory finish. Add “-WH” suffix for white finish. All single-gang bases have a rectangular knockout on the base.

Catalog No./Item

Description/Specifications

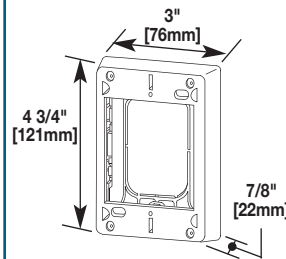
2348
2348-2
2348-3



Deep Device Box – 2348 one-gang, 2348-2 two-gang, 2348-3 three-gang. For deeper switches and devices. 2348, 2348-2, and 2348-3 Bases have rectangular KO to enable extension from existing flush wall box and 1/2" and 1" trade size concentric KOs. Accepts NEMA Faceplates.

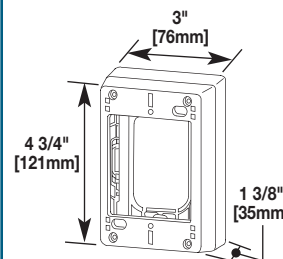
CAT #	GANG(S)	A	B	C
2348	1	4 3/4" [121mm]	3" [76mm]	1 3/4" [35mm]
2348-2	2	4 3/4" [121mm]	4 7/8" [124mm]	1 3/4" [44mm]
2348-3	3	4 3/4" [121mm]	7" [178mm]	1 3/4" [44mm]

2348S/51



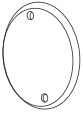


Shallow Device Box / Extension Box – For shallow switches and receptacles. Base has rectangular KO. Accepts NEMA Faceplates.

2348AMP



Magnetic Deep Device Box (with Grommet) – For deeper switches and devices. Magnetic backing. Base has rectangular KO. Accepts NEMA Faceplates

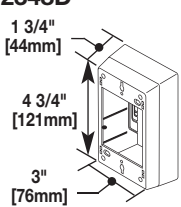
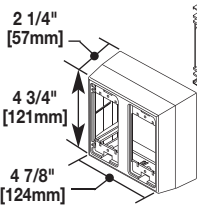
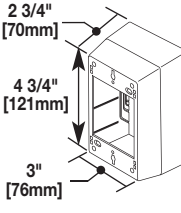
400BAC, 800BAC, 2300BAC Series Raceway Round Fixture Boxes for Non-Divided Raceway

Item	Description	Cat. No.	Diameter	Depth	Specifications
	Blank Cover	2336	4 1/2" [114mm]	—	Use with any round nonmetallic device box to convert into junction box.
	Round Extension Box	2337A	5 1/2" [140mm]	1" [25mm]	For hanging fixtures, smoke/fire alarms and other security devices with 3 1/2" [89mm] or 4 1/16" [103mm] mounting centers. 5 1/2" [140mm] diameter with open base. Not for use with ceiling fans.
	Fixture Box	2338A	5 1/2" [140mm]	1" [25mm]	For hanging smoke/fire alarms and other security devices with 3 1/2" [89mm] or 4 1/16" [103mm] mounting centers. Not for use with ceiling fans.

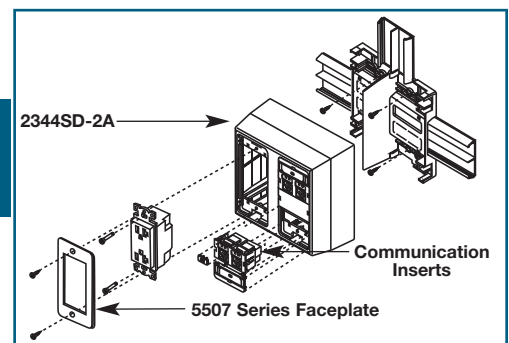
NOTE: No suffix denotes ivory finish. Add “-WH” suffix for white finish.

The 2300BAC and 2300BACD Series Divided Raceway Box family provides two unique benefits; labor savings with “over-the-raceway” installation and Sure-Snap® device boxes. The 2348D and 2344D “over-the-raceway” design eliminates cutting the raceway base to mount boxes. The base snaps on anywhere along the raceway. The Sure-Snap integral device box of the 2344SD-2A combines aesthetics with labor savings. 5507 Series Faceplates, Pass & Seymour Activate Inserts, Wiremold Open System Communication Modules and Ortronics Series II and TracJack Modules snap directly into the Sure-Snap Device Box, eliminating the need for additional faceplates. The single-gang boxes accept standard NEMA faceplates.

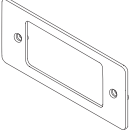
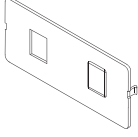
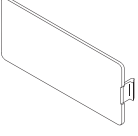
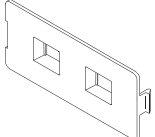
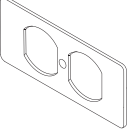
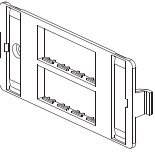
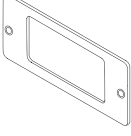
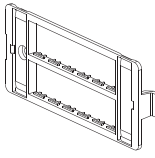
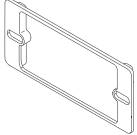
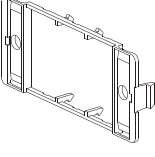
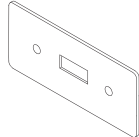
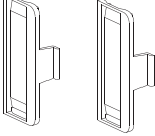
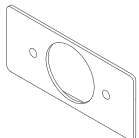
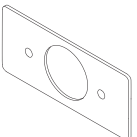
Sure-Snap® Device Boxes for 2300BACD Divided Series Raceway

Catalog No./Item	Description/Specifications	Catalog No./Item	Description/Specifications
2348D 	Device Box – For use with 2300BACD Divided Raceway. For mounting standard switches, receptacles and industry standard faceplates for communication devices. Accepts NEMA Faceplates.	2344SD-2A 	Two-Gang Deep Divided Box – A divided two-gang box for use with 2300D Series Raceway. Provides the ability to have both power and low voltage at a single point of use. Accepts 5507 Series Faceplates, Ortronics® TracJack & Series II Modules, Pass & Seymour Activate™ Series Inserts, and Wiremold Open System Communication Modules.
2344D 	Extra Deep Device Box – For use with 2300BACD Divided Raceway when additional depth is required. For mounting standard switches, receptacles and industry standard faceplates for communication devices. Accepts NEMA Faceplates.	<p>Note: Not for use with NEMA Faceplates. CM-EPLA End Plates are required when using Wiremold Open System communication modules and Pass & Seymour Activate inserts. S2-EPL End Plates are required when using Ortronics Series II inserts. To mount Ortronics TracJack modules, use 5507-4TJ or 5507-6TJ Faceplates.</p>	

2344SD-2 Over-the-Raceway Box Application



5507 Series Faceplates

Catalog No./Item	Description/Specifications	Catalog No./Item	Description/Specifications
5507AD	 <p>Modular Furniture Adapter – For mounting Activate modular furniture bezels and other modular furniture adapters. Not for use with rectangular (decorator) style devices.</p>	5507RJ	 <p>Dual RJ11/RJ45 Connector Faceplate – For mounting one or two RJ type connectors – has one opening and a KO for the other.</p>
5507B	 <p>Blank Faceplate – For covering unused compartments in the device bracket.</p>	5507FRJ	 <p>Flush Dual RJ11/RJ45 Connector Faceplate – Same as 5507RJ except the connectors are recessed to provide a flush installation.</p>
5507D	 <p>Duplex Receptacle Faceplate – For covering duplex style devices. Accepts 106 Frame.</p>	5507-4TJ	 <p>Ortronics® Faceplate – For mounting Ortronics datacom inserts. Accepts four TracJack Devices.</p>
5507R	 <p>Rectangular Receptacle Faceplate – For covering rectangular decorator style devices.</p>	5507-6TJ	 <p>Ortronics® Faceplate – For mounting Ortronics datacom inserts. Accepts six TracJack Devices.</p>
5507S	 <p>Rectangular Spacer – For mounting commercial device plates. Installs between the device bracket and a device.</p>	CM-EPLA	 <p>End Plates – Includes two outlet identification labels with clear covers and two matching screw covers. Required for mounting Pass & Seymour Activate™ and Wiremold Open System communication modules into the 2344SD-2A.</p>
5507SW	 <p>Switch Faceplate – For covering standard toggle switches.</p>	S2-EPL	 <p>End Plates – Includes two outlet identification labels with clear covers and two matching screw covers. Required for mounting Ortronics® Series II modules into the 2344SD-2A.</p>
5507T1	 <p>Single Receptacle Faceplate – For covering single receptacles – 1.59" [40mm] diameter.</p>		
5507T2	 <p>Single Receptacle Faceplate – For covering single receptacles – 1.41" [36mm] diameter.</p>		

NOTE: No suffix denotes ivory finish. Add “-WH” suffix for white finish, and “G” for Gray finish. Consult factory for custom colors.

Datacom Connectivity Options

Now you have a wide range of options for providing datacom connectivity into Wiremold® Cable Management Systems. They are:

- Ortronics® TracJack® and Series II Modular Connectivity Solutions
- Pass & Seymour Activate™ Modular Inserts
- Open System Communication Modules

ORT	ORT	ORT
P&S	P&S	P&S
OPEN	OPEN	OPEN

Use these icons to determine connectivity options for each Wiremold System component:

ORT
P&S
OPEN

Ortronics® Connectivity

TracJack® Individual Jack System

- Front-loading, snap-in design supports future moves adds and changes
- Inserts for voice, data, audio, and video
- Available Category 3, 5e, 6, USOC 6-position, and other media
- Flat or angled 45° exit configurations
- Choice of 13 colors and color matched to Wiremold Systems
- Universal T568A/B wiring format



Series II Front-Loading, Module System

- Module design features easy snap-in front-loading design
- Linear 110 punch down format for easy termination
- Inserts for voice, data, audio, and video
- Available Category 3, 5e, 6, USOC 6-position, and other media
- Available in flat or angled 45° exit configurations
- Color matched to Wiremold Systems



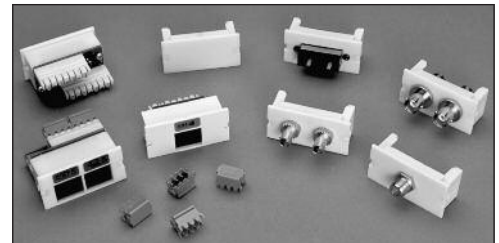
For detailed product selection refer to the Ortronics Catalog or visit www.ortronics.com.

ORT
P&S
OPEN

Pass & Seymour Legrand Network Wiring

Activate™ Series Front-Loading Inserts

- Modular inserts for voice, data, audio and video applications
- Front-load, snap-in design
- Color and texture matched to Wiremold Systems
- Available Category 3, 5e, 6, as well as 6-position USOC
- Universal T568A/B wiring format



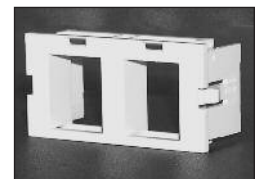
For detailed product selection refer to the Pass & Seymour Network Wiring Catalog or visit www.passandseymour.com.

ORT
P&S
OPEN

Open Connectivity Solutions

Wiremold Open System Communications Modules

- Accommodate a wide range of manufacturers' communications outlets including keystone jacks, as well as proprietary solutions from Avaya (Systemax) and NORDX
- Modules insert into a wide range of Wiremold Systems
- Pre-punched faceplates accept common communication devices



NOTE: For more information on integrating connectivity into Wiremold Cable Management Systems contact the Wiremold Applications Engineering Team or your local Wiremold Sales Representative.

WIREMOLD



Wiremold/Legrand

U.S. and International:

60 Woodlawn Street • West Hartford, CT 06110

1-800-621-0049 • FAX 860-232-2062 • Outside U.S. 860-233-6251

Canada:

570 Applewood Crescent • Vaughan, Ontario L4K 4B4

1-800-723-5175 • FAX 905-738-9721

ED296R15 – Updated March 2009 – For latest specs visit www.wiremold.com

