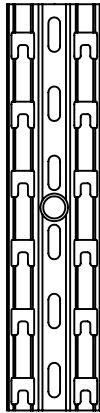


FAS PCH CENTER HANGER

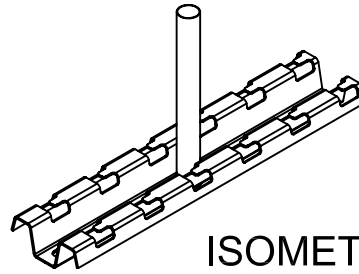
CABLOFIL®

INNOVATORS IN CABLE MANAGEMENT

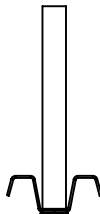
8319 State Route 4
 Mascoutah IL 62258
 Phone: 800-658-4641
 618-566-3230
 Fax: 618-566-3250
www.cablofil.com



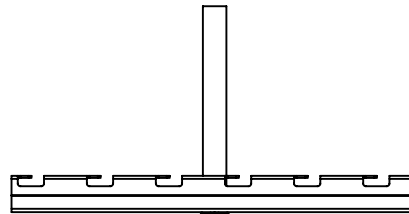
TOP



ISOMETRIC

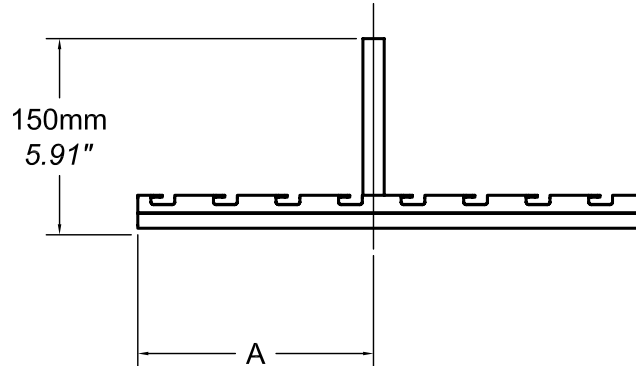
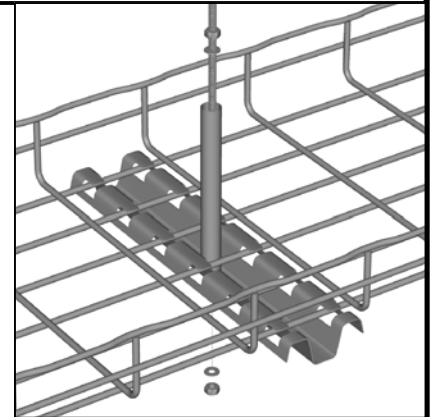
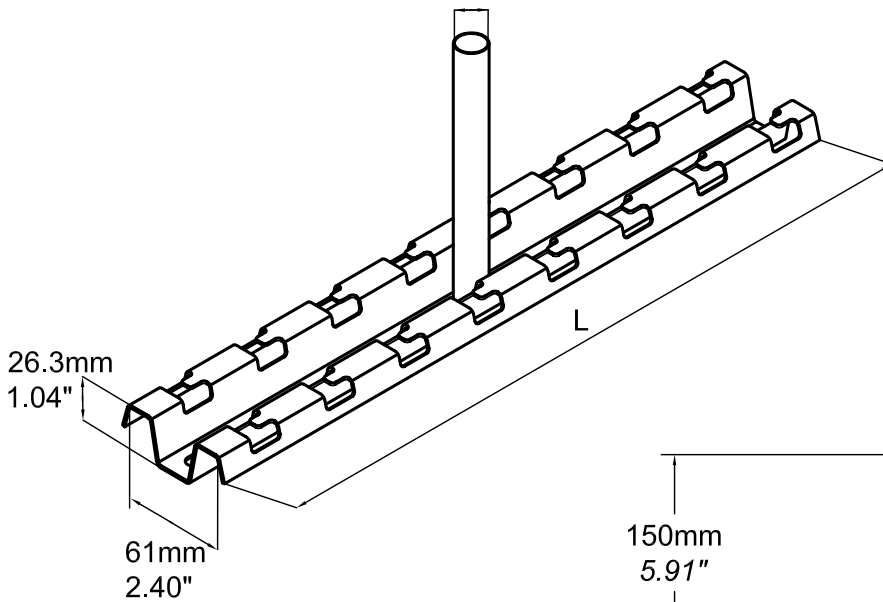




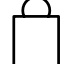
SIDE



FRONT

Ø12.7mm (.5") int



			
	in mm	in mm	lb

FASPCH 150	5.67	154	2.13	54	0.45
FASPCH 200	7.64	194	4.09	104	0.63
FASPCH 300	11.57	294	6.06	154	0.89
FASPCH 400	15.51	394	8.03	204	1.15
FASPCH 450	17.48	444	8.03	204	1.28
FASPCH 500	19.45	494	10.00	254	1.41
FASPCH 600	23.39	594	11.97	304	1.67

PG GC 316L BL PE