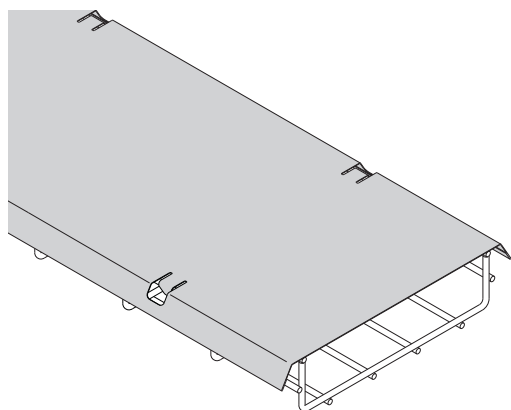
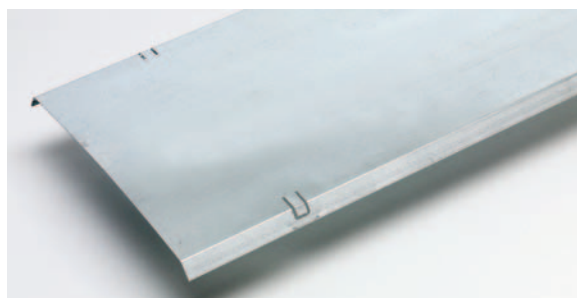


Covers

- Protects cable from debris and dust
- Adds security to cable installation
- Easy bend-over tabs secure cover to trays
- Available for 2" (50mm) to 24" (600mm) wide trays
- Comes in 118" (2997mm) length
- Finishes __: **GS**, BLE, 304S, 316S



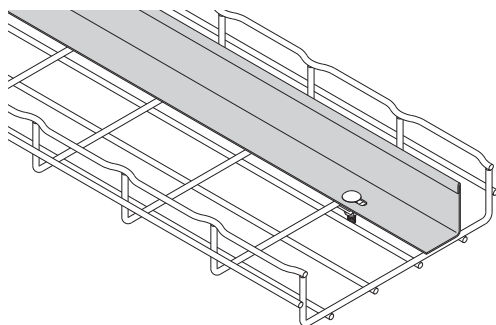
| Part Number | Use With Tray Width | Qty./Box | Wt./Box | |
|-----------------------|---------------------|----------|---------|------|
| | | | lbs. | kg |
| 2 IN COVER __ | 2" (50mm) | 1 | 3.8 | 1.72 |
| 4 IN COVER __ | 4" (100mm) | 1 | 5.7 | 2.58 |
| 6 IN COVER __ | 6" (150mm) | 1 | 6.7 | 3.04 |
| 8 IN COVER __ | 8" (200mm) | 1 | 8.7 | 3.94 |
| 12 IN COVER __ | 12" (300mm) | 1 | 11.6 | 5.26 |
| 16 IN COVER __ | 16" (400mm) | 1 | 15.6 | 7.07 |
| 18 IN COVER __ | 18" (450mm) | 1 | 17.0 | 7.71 |
| 20 IN COVER __ | 20" (500mm) | 1 | 18.5 | 8.39 |
| 24 IN COVER __ | 24" (600mm) | 1 | 22.0 | 9.98 |



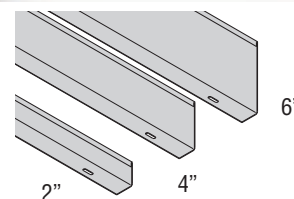
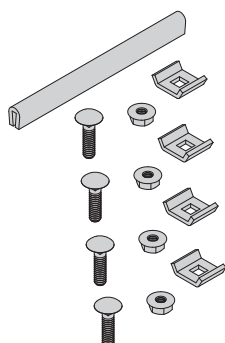
Dividers

- Allows cable separation within a single tray
- Hemmed/rounded edge provides cable jacket safety
- Hardware included
- Field miter for bends and turns
- Dual slots every 24" (609mm) for field cutting
- Available in 2" (50mm), 4" (100mm) and 6" (150mm) heights
- Comes in 118.125" (3000mm) length
- Finishes __: **GS**, BLE, 304S, 316S

| Part Number | Use With Tray Depth | Qty./Box | Wt./Box | |
|------------------------|---------------------|----------|---------|------|
| | | | lbs. | kg |
| 2 IN DIVIDER __ | 2" (50mm) Deep | 1 | 3.5 | 1.59 |
| 4 IN DIVIDER __ | 4" (100mm) Deep | 1 | 9.6 | 4.35 |
| 6 IN DIVIDER __ | 6" (150mm) Deep | 1 | 14.5 | 6.58 |



Dividers include hardware shown below

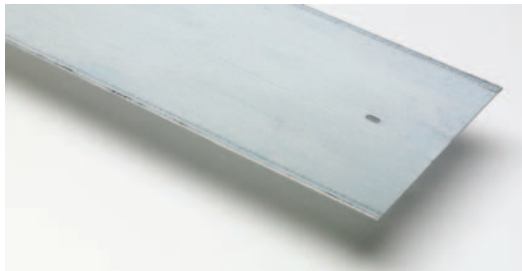


See page - 2 for finish information

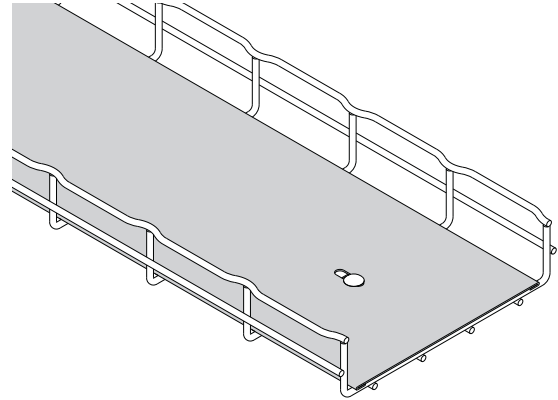
Solid Bottom Inserts

| Part Number | Use With Tray Width | Qty./Box | Wt./Box | |
|-----------------|---------------------|----------|---------|-------|
| | | | lbs. | kg |
| INSERT 4X118__ | 4" (100mm) | 1 | 6.8 | 3.08 |
| INSERT 6X118__ | 6" (150mm) | 1 | 9.8 | 4.44 |
| INSERT 8X118__ | 8" (200mm) | 1 | 13.3 | 6.03 |
| INSERT 12X118__ | 12" (300mm) | 1 | 21.6 | 9.80 |
| INSERT 16X118__ | 16" (400mm) | 1 | 26.4 | 11.97 |
| INSERT 18X118__ | 18" (450mm) | 1 | 32.4 | 14.69 |
| INSERT 20X118__ | 20" (500mm) | 1 | 32.9 | 14.92 |
| INSERT 24X118__ | 24" (600mm) | 1 | 39.3 | 17.82 |

Attach with
FTHDWE 1/4" &
Top Washer



- Continuous support for sensitive cables
- Security of cable in high-traffic areas
- Hardware included
- Available for 2" (50mm) to 24" (600mm) wide trays
- Comes in 118" (2997mm) length
- Finishes __: **GS**, BLE, 304S, 316S



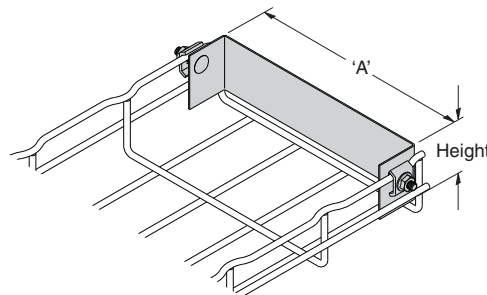
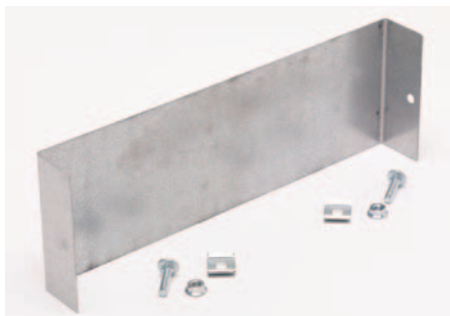
Blind Ends

| Part Number | 'A' | | Height | | Box Quantity |
|--------------|-----|-----|--------|------|--------------|
| | in. | mm | in. | mm | |
| FT BE 2X2 | 2" | 50 | 2" | 50 | 1 |
| FT BE (*)X4 | 4" | 100 | (*) | (*) | 1 |
| FT BE (*)X6 | 6" | 150 | (*) | (*) | 1 |
| FT BE (**X8 | 8" | 200 | (*) | (*) | 1 |
| FT BE (**X12 | 12" | 300 | (**) | (**) | 1 |
| FT BE (**X16 | 16" | 400 | (**) | (**) | 1 |
| FT BE (**X18 | 18" | 450 | (**) | (**) | 1 |
| FT BE (**X20 | 20" | 500 | (**) | (**) | 1 |
| FT BE (**X24 | 24" | 600 | (**) | (**) | 1 |

- Forms a closure for a dead-end Flextray
- Hardware included
- Finish: **GLV**, SS6

(*) Insert: 2 = 2" (50 mm), 4 = 4" (100 mm) for height

(**) Insert: 2 = 2" (50 mm), 4 = 4" (100 mm),
6 = 6" (150 mm) for height

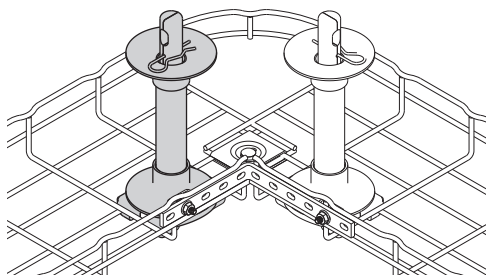


See page - 2 for finish information

Cable Roller

- Protects and maintains recommended cable radii for Cat 5, Cat 5E, Cat 6, Cat 6A, Fiber, etc.
- Height of roller can be adjusted to tray depth
- Installs in seconds with no tools
- Reduces cable installation time
- Prevents migration of cables
- For use with 4" (100mm) to 32" (800mm) tray widths
- Finish: Cast Aluminum

| Part Number | Description | Qty./Box | Wt./Box | |
|---------------------|--------------|----------|---------|------|
| | | | lbs. | kg |
| CABLE ROLLER | Cable Roller | 1 | 1.0 | 0.45 |

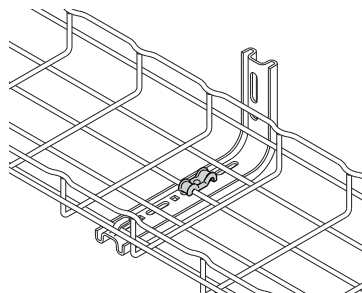


Quick, snap-together design

Toolless Clip

- Securely holds tray to support
- Snap-in locking pin
- No tools or fastening required
- Fastest hold-down method available
- For use with the following:
 - FTB_CS (see pg. 27)
 - L BRKT (see pg. 27)
 - C BRKT (see pg. 31)
- Finish: Plenum rated resin (black)

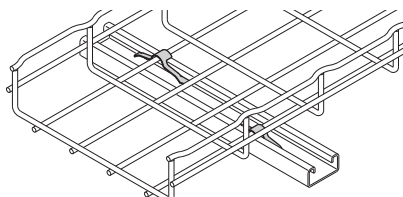
| Part Number | Description | Qty./Box | Wt./Box | |
|----------------------|-------------------------|----------|---------|------|
| | | | lbs. | kg |
| TOOLLESS CLIP | Toolless Hold-Down Clip | 50 | 1.0 | 0.45 |



Strut Mounting Clip

- Use to secure Flextray to horizontal strut support
- Designed for use as shown in drawing (no load rating)
- Finish: Black Zinc Phosphate

| Part Number | Description | Qty./Box | Wt./Box | |
|-------------|---------------------|----------|---------|------|
| | | | lbs. | kg |
| BW4 | Strut Mounting Clip | 100 | 0.9 | 0.41 |



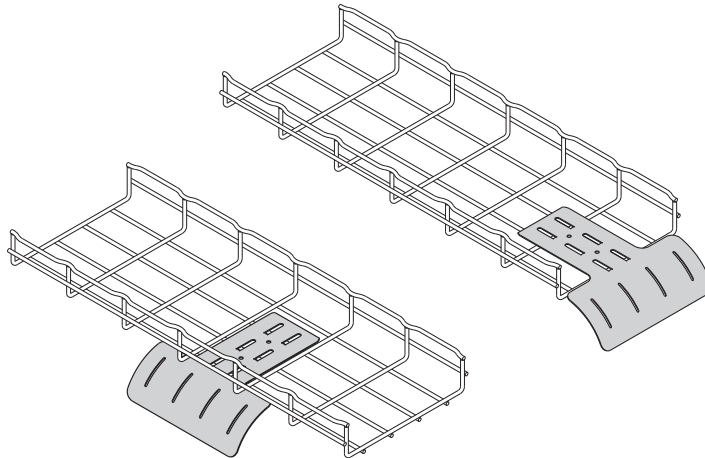
See page - 2 for finish information

Flextray™ - Accessories

Drop Out Fitting

| Part Number | Description | Qty./Box | Wt./Box | |
|-------------------|------------------|----------|---------|------|
| | | | lbs. | kg |
| DROP OUT__ | Drop Out Fitting | 1 | 0.5 | 0.22 |

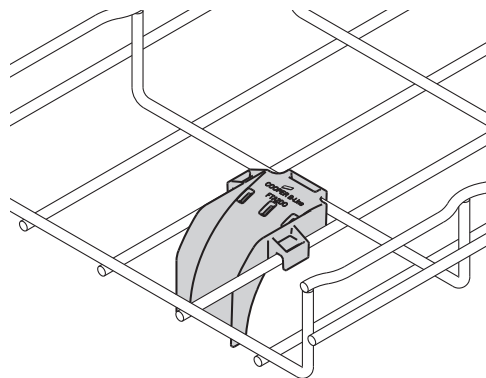
- Keeps cable radius secure at drop point
- For use with 4" (100mm) to 32" (800mm) wide trays
- Attaches to tray without hardware
- Drop outs can be attached at bottom, side or ends of tray
- Hold down tabs on bottom of drop out to secure tray (tabs not available on stainless steel drop out)
- Finishes __: **EG**, BLE



Cable Drop Out

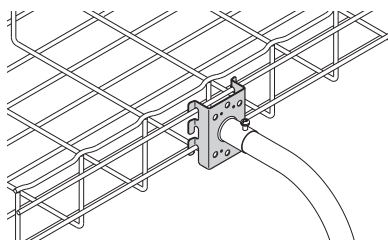
| Part Number | Description | Qty./Box | Wt./Box | |
|---------------|----------------|----------|---------|------|
| | | | lbs. | kg |
| FTA2DO | Cable Drop Out | 10 | 0.17 | 0.08 |

- Non-metallic 2" (50mm) radius Cable Drop-Out snap locks into mesh bottom and protects cables from sharp bend
- Material: Black Plenum-rated Plastic



Conduit Connector

- Conduit connector is designed to connect conduit to the side or bottom of Flextray
- Conduit bushing will remain outside of tray to keep cable pathway clear
- Bend tabs to secure connector to tray
- No hardware included
- Finishes __: **GLV**

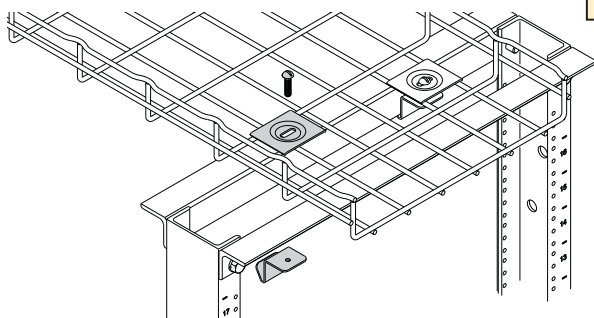


| Part Number | Description | Qty./Box | Wt./Box | |
|--------------------|----------------------------|----------|---------|------|
| | | | lbs. | kg |
| FTA050CC __ | 1/2" (15mm) Conduit Clip | 4 | 0.8 | 0.36 |
| FTA075CC __ | 3/4" (20mm) Conduit Clip | 4 | 1.0 | 0.45 |
| FTA100CC __ | 1" (25mm) Conduit Clip | 4 | 1.9 | 0.86 |
| FTA125CC __ | 1 1/4" (32mm) Conduit Clip | 4 | 2.6 | 1.18 |



Rack Clamp

- Securely holds tray down to rack
- Installs without drilling
- Black-painted finish to match rack
- Finish __: **BLE**

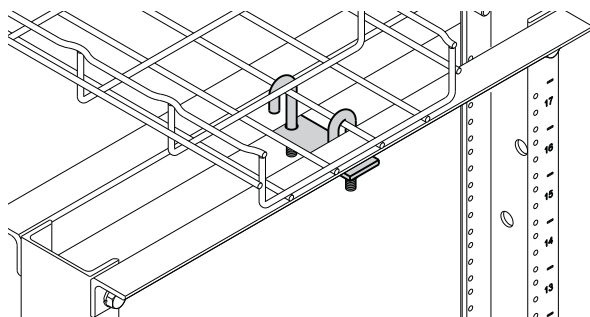


| Part Number | Description | Qty./Box | Wt./Box | |
|----------------------|-------------|----------|---------|------|
| | | | lbs. | kg |
| RACK CLAMP __ | Rack Clamp | 4 | 4.7 | 2.13 |



Adaptor Kit

- Adaptor kit includes all hardware necessary to connect Flextray system to top of relay rack at right angle or parallel position
- Finish __: **YZN (Yellow Zinc Chromate)**



- Adaptor Kit includes:
- (1) - Mounting Plate
 - (2) - 5/16"-18 x 2" "J"-Bolts
 - (2) - HN 5/16"-18 Hex Nuts
 - (2) - LW 5/16" Lock Washers



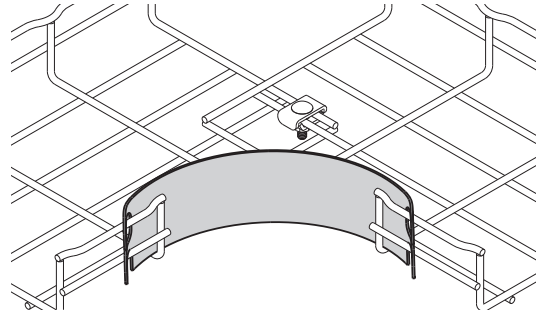
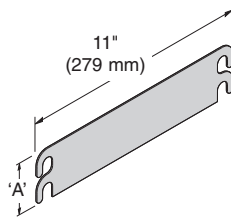
See page - 2 for finish information

Flextray™ - Accessories

Radius Shield

| Part Number | Description | | Qty./Box | Wt./Box | |
|-------------|-------------|-----|----------|---------|-----|
| | in. | mm | | lbs. | kg |
| FTA2RS | 2.5 | 63 | 20 | 7.2 | 3.2 |
| FTA4RS | 4.3 | 110 | 20 | 12.3 | 5.5 |
| FTA6RS | 5.9 | 150 | 20 | 21.6 | 9.8 |

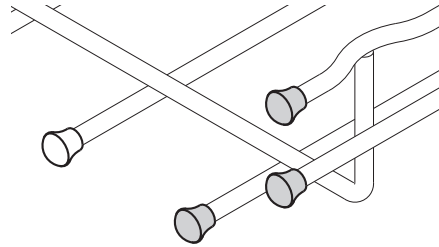
- Provides a smooth inside radius surface.
- No tools or fasteners needed to install.
- Sizes for 2", 4" & 6" deep Flextray; 90° horizontal bends, tees, and crosses.
- Installs in seconds. Simply hold in place and bend back tabs.
- Slick surface to reduce cable friction.
- Material: Black Polycarbonate



Rubber Cap

| Part Number | Box Quantity | Wt. Per 100 | |
|-------------|--------------|-------------|------|
| | | lbs. | kg |
| B719EB | 100 | 0.20 | 0.10 |

- Install on wire ends if required. Fits all wire diameters



Touch-Up Paint

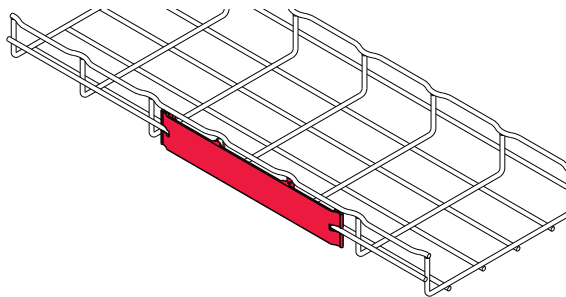
| Part Number | Color | Box Quantity | Wt. Per Pc. | |
|-------------|------------------------|--------------|-------------|------|
| | | | lbs. | kg |
| SB420ATG | Gray Lacquer | 1 | 0.9 | 0.41 |
| SB420AFB | Flat Black Lacquer | 1 | 0.9 | 0.41 |
| SB420ACW | Computer White Lacquer | 1 | 0.9 | 0.41 |
| B999 | Silver Zinc-Rich Paint | 1 | 0.9 | 0.41 |

- Size: 12 ounce aerosol can
- Cannot ship air freight

See page - 2 for finish information

Label Clip

- Clips easily into trays
- Use for identifying your cable pathways
- Can be used on all tray sizes
- Will not fit on side of 1 1/2" deep Flextray
- Finish: Non-plenum-rated resins

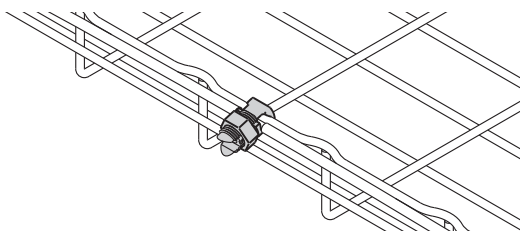


| Part Number | Description | Qty./Box | Wt./Box | |
|-------------------|----------------------|----------|---------|------|
| | | | lbs. | kg |
| LABEL CLIP | 10 1/2" (267mm) Long | 10 | 0.6 | 0.27 |



Ground Bolt

- Attaches up to #1 ground wire to each tray section when separate ground wire is required
- Used for UL grounding compliance.
- When using color powder coated finish or paint, coating must be removed at the points of contact.
- Finish: Copper Plated

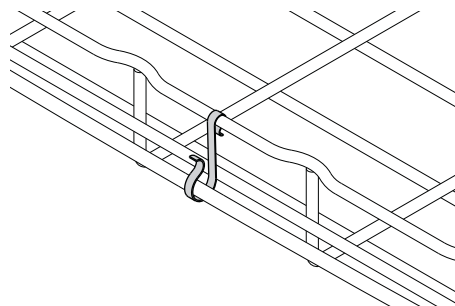


| Part Number | Description | Qty./Box | Wt./Box | |
|--------------------|-------------|----------|---------|------|
| | | | lbs. | kg |
| GROUND BOLT | Ground Bolt | 1 | 0.11 | 0.05 |



Ground Wire Supports

- Supports ground wire along side of tray
- Can be used on all trays
- Finish __: Zinc Plated



| Part Number | Description | Qty./Box | Wt./Box | |
|-----------------------|---------------------|----------|---------|------|
| | | | lbs. | kg |
| GROUND SUPT GL | Ground Wire Support | 100 | 0.6 | 0.27 |



See page - 2 for finish information

Flextray™ - Accessories

- Complete source of hardware for ceiling connections
- Available in stock
- Strut can be purchased in pre-cut lengths and various colors
- All hardware is zinc plated

Threaded Rod



| Part Number | Size | Qty. | Wt./Qty. | |
|-------------|----------------------|------|----------|------|
| | | | lbs. | kg |
| ATR1/4x72 | 1/4" x 72" (1828mm) | 1 | 0.7 | 0.31 |
| ATR1/4x120 | 1/4" x 120" (3048mm) | 1 | 1.2 | 0.54 |
| ATR1/4x144 | 1/4" x 144" (3657mm) | 1 | 1.4 | 0.63 |
| ATR3/8x72 | 3/8" x 72" (1828mm) | 1 | 1.7 | 0.77 |
| ATR3/8x120 | 3/8" x 120" (3048mm) | 1 | 2.9 | 1.31 |
| ATR3/8x144 | 3/8" x 144" (3657mm) | 1 | 3.5 | 1.58 |
| ATR1/2x72 | 1/2" x 72" (1828mm) | 1 | 3.2 | 1.45 |
| ATR1/2x120 | 1/2" x 120" (3048mm) | 1 | 5.4 | 2.45 |
| ATR1/2x144 | 1/2" x 144" (3657mm) | 1 | 6.5 | 2.95 |

Lock Washers



| Part Number | Size | Qty. | Wt./Qty. | |
|-------------|------|------|----------|------|
| | | | lbs. | kg |
| 1/4LW | 1/4" | 200 | 0.6 | 0.27 |
| 3/8LW | 3/8" | 200 | 1.6 | 0.72 |
| 1/2LW | 1/2" | 200 | 2.0 | 0.91 |

Flat Washers



| Part Number | Size | Qty. | Wt./Qty. | |
|-------------|------|------|----------|------|
| | | | lbs. | kg |
| 1/4FW | 1/4" | 200 | 1.2 | 0.54 |
| 3/8FW | 3/8" | 200 | 3.0 | 1.36 |
| 1/2FW | 1/2" | 200 | 6.6 | 2.99 |

Rod Couplings



| Part Number | Size | Qty. | Wt./Qty. | |
|-------------|---------|------|----------|------|
| | | | lbs. | kg |
| B655-1/4 | 1/4"-20 | 50 | 2.0 | 0.91 |
| B655-3/8 | 3/8"-16 | 50 | 5.5 | 2.49 |
| B655-1/2 | 1/2"-13 | 50 | 6.0 | 2.72 |

Square Washers



| Part Number | Hole Size | Qty. | Wt./Qty. | |
|-------------|-----------|------|----------|------|
| | | | lbs. | kg |
| B201 | 7/16 | 50 | 6.0 | 2.72 |
| B202 | 9/16 | 50 | 7.0 | 3.17 |

Hex Nuts



| Part Number | Size | Qty. | Wt./Qty. | |
|-------------|---------|------|----------|------|
| | | | lbs. | kg |
| 1/4HN | 1/4"-20 | 100 | 0.6 | 0.27 |
| 3/8HN | 3/8"-16 | 100 | 1.6 | 0.72 |
| 1/2HN | 1/2"-13 | 100 | 4.3 | 1.95 |

Beam Clamps



| Part Number | Size | Qty. | Wt./Qty. | |
|-------------|---------|------|----------|------|
| | | | lbs. | kg |
| B3036L-3/8 | 3/8"-16 | 100 | 60.0 | 27.2 |
| B3036L-1/2 | 1/2"-13 | 100 | 140.0 | 63.5 |

See page - 2 for finish information

Beam Clamps



| Part Number | Size | Qty. | Wt./Qty. | |
|-------------|---------|------|----------|-------|
| | | | lbs. | kg |
| B444-1/4 | 1/4"-20 | 100 | 160 | 72.5 |
| B444-3/8 | 3/8"-16 | 100 | 430 | 195.0 |
| B444-1/2 | 1/2"-13 | 100 | 430 | 195.0 |

U-Bolt Clamps



| Part Number | Size | Qty. | Wt./Qty. | |
|-------------|-----------------------|------|----------|------|
| | | | lbs. | kg |
| B441-22 | 3/8"-16 x 3 3/8" long | 100 | 160 | 72.5 |

Spring Nuts



| Part Number | Thread Size | Qty. | Wt./Qty. | |
|-------------|-------------|------|----------|------|
| | | | lbs. | kg |
| N224 | 1/4"-20 | 100 | 6.5 | 2.95 |
| N228 | 3/8"-16 | 100 | 9.3 | 4.22 |
| N225 | 1/2"-13 | 100 | 11.3 | 5.12 |

Bolted Framing



B22 B56

| Part Number | Channel Size | Qty. | Wt./Qty. | |
|--------------|-------------------------|------|----------|------|
| | | | lbs. | kg |
| B22SGALV120 | 1 5/8" x 120" - 12 ga. | 1 | 6.0 | 2.72 |
| B22SHGALV120 | 1 5/8" x 120" - 12 ga. | 1 | 6.0 | 2.72 |
| B56SGALV120 | 1 3/16" x 120" - 15 ga. | 1 | 7.0 | 3.17 |
| B56SHGALV120 | 1 3/16" x 120" - 15 ga. | 1 | 6.0 | 2.72 |

Concrete Rapid Rod Hanger



| Part Number | Rod Size | Shank Size | Qty. | Wt./Qty. | |
|-------------|----------|---------------|------|----------|------|
| | | | | lbs. | kg |
| ARC-37-150 | 3/8" | 1/4" x 1 1/2" | 100 | 3.4 | 1.54 |

Wood Rapid Rod Hanger



| Part Number | Rod Size | Shank Size | Qty. | Wt./Qty. | |
|--------------|----------|------------|------|----------|------|
| | | | | lbs. | kg |
| ARW-37-200 | 3/8" | 1/4" x 2" | 100 | 3.4 | 1.54 |
| ARW-37-200SW | 3/8" | 1/4" x 2" | 100 | 3.4 | 1.54 |

SW = Side Mount

Steel Rapid Rod Hanger



| Part Number | Rod Size | Shank Size | Qty. | Wt./Qty. | |
|--------------|----------|---------------|------|----------|------|
| | | | | lbs. | kg |
| ARS-37-150 | 3/8" | 1/4" x 1 1/2" | 100 | 3.4 | 1.54 |
| ARS-37-150SW | 3/8" | 1/4" x 1" | 100 | 3.4 | 1.54 |

SW = Side Mount

Sockets for Rapid Rod Hangers

| Part Number | Hole Size | Qty. | Wt./Qty. | |
|-------------|-------------------------------|------|----------|------|
| | | | lbs. | kg |
| 7187 | Universal Steel & Wood Socket | 1 | 4.5 | 2.04 |
| 7197 | 3/8" Concrete Socket | 1 | 4.5 | 2.04 |

See page - 2 for finish information