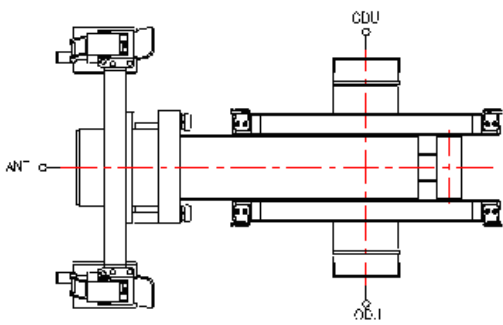


## Hybrid Coupler

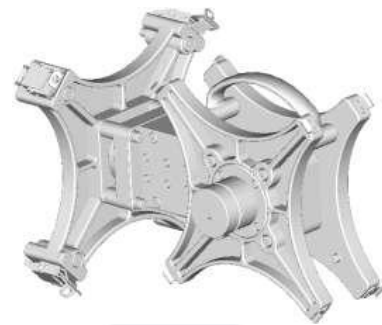
Hybrid Coupler is 3-port microwave waveguide system that splits the input power into two parts, consequently, allows the simultaneous operation of two GX-800 outdoor radio units (ODUs). Its application, together with high performance antennas, leads to use of two independent transmission channels on a single antenna at the same time.

### Main components of coupler

- Waveguide cavity
- Waveguide absorbing load
- Flange



Schematic



7G-38G Hybrid Coupler

## Electrical Specifications

### 6dB Coupler

Freq.	Freq.range	Model	Coupling Variation	Loss Variation	Coupling /Split	Loss	VSWR	Isolation	Waveguide type	
Band	(GHz)		Max.dB	Max.dB	Max.dB	Max.dB	Max.	Min dB	Ant Side	ODU Side
7G & 8G	7.125~8.5	GX800-7806-COUPLER	1.0	0.5	7	1.9	1.3	20	1.025" dia	1.025" dia
10G	10.0~10.7	GX800-1006-COUPLER							153IEC-R100	153IEC-R100
11G	10.7~11.7	GX800-1106-COUPLER							153IEC-R120	153IEC-R120
13G	12.7~13.3	GX800-1306-COUPLER							153IEC-R120	153IEC-R120
15G	14.4~15.4	GX800-1506-COUPLER							153IEC-R140	153IEC-R140
18G	17.7~19.7	GX800-1806-COUPLER							153IEC-R220	153IEC-R220
23G	21.2~23.6	GX800-2306-COUPLER			153IEC-R220	153IEC-R220				
26G	24.2~26.5	GX800-2606-COUPLER			153IEC-R220	153IEC-R220				
28G	27.5~29.5	GX800-2806-COUPLER			153IEC-R320	153IEC-R320				
32G	31.8~33.4	GX800-3206-COUPLER			153IEC-R320	153IEC-R320				
38G	37.0~40.0	GX800-3806-COUPLER	8	2.1	1.4	0.219" dia	0.219" dia			

**3dB Coupler**

Freq.	Freq.range	Model	Coupling Loss/Variation	Coupling /Split	Loss	VSWR	Isolation	Waveguide type	
Band	(GHz)		Max.dB	Max.dB	Max.dB	Max.	Min dB	Ant Side	ODU Side
7G & 8G	7.125~8.5	GX800-7803-COUPLER	1.0	3.8	3.8	1.3	20	1.025" dia	1.025" dia
10G	10.0~10.7	GX800-1003-COUPLER						153IEC-R100	153IEC-R100
11G	10.7~11.7	GX800-1103-COUPLER						153IEC-R120	153IEC-R120
13G	12.7~13.3	GX800-1303-COUPLER						153IEC-R120	153IEC-R120
15G	14.4~15.4	GX800-1503-COUPLER						153IEC-R140	153IEC-R140
18G	17.7~19.7	GX800-1803-COUPLER						153IEC-R220	153IEC-R220
23G	21.2~23.6	GX800-2303-COUPLER		153IEC-R220	153IEC-R220				
26G	24.2~26.5	GX800-2603-COUPLER		153IEC-R220	153IEC-R220				
28G	27.5~29.5	GX800-2803-COUPLER		4.1	4.1	1.4		153IEC-R320	153IEC-R320
32G	31.8~33.4	GX800-3203-COUPLER						153IEC-R320	153IEC-R320
38G	37.0~40.0	GX800-3803-COUPLER	0.219" dia				0.219" dia		

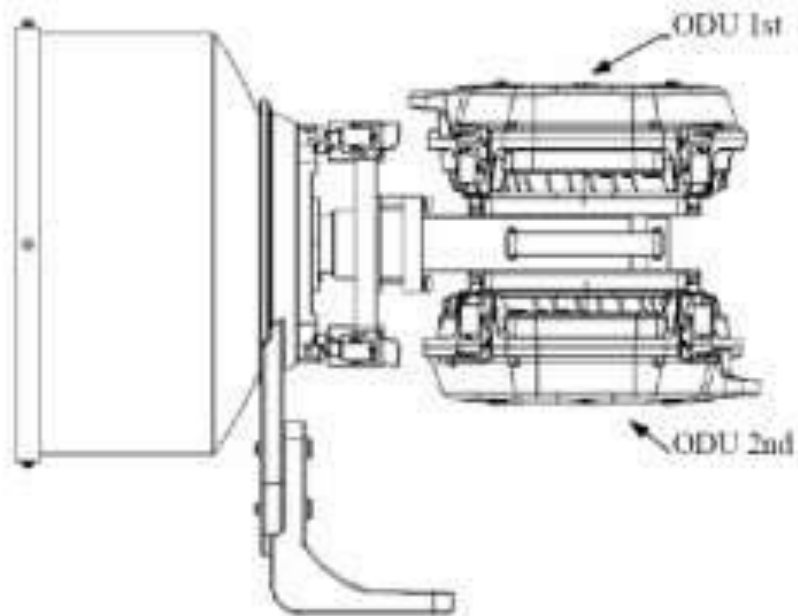
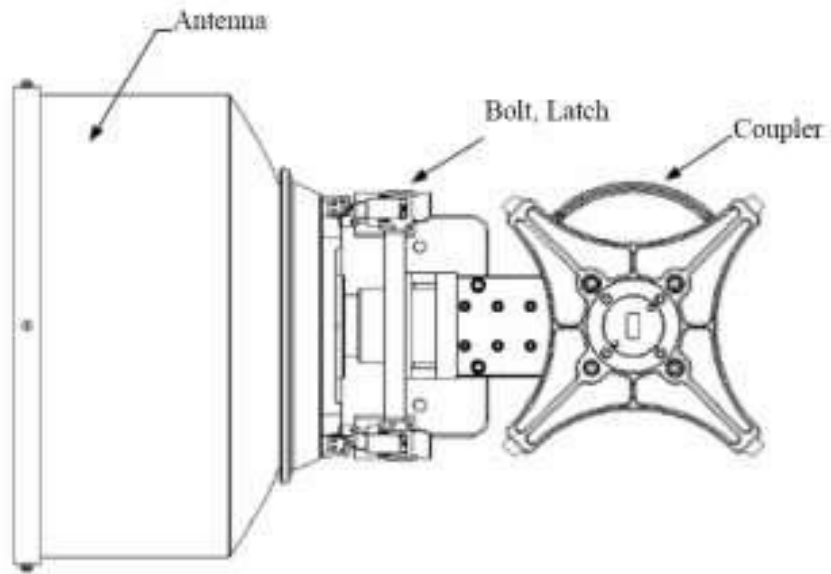
**Mechanical and Environment**

Mechanical & Environment		
Temperature Range	Working Temperature	-45 to +60
	Maximum Temperature	-55 to +60
Wind Velocity	Working Wind Velocity	30 m/s
	Extreme Wind Velocity	55 m/s
Weight	7-38G : <6 Kg	
	6G : <3 Kg	
Operational Humidity	< 95	
Power tolerance	Vertical and Horizontal Polarization	
Installation	7~38G : button and screw assemble at the same time	
Surface flame plating	RAL9016	
Environmental protection demands	RoHS	

**Package Contents**

**3/6 dB Coupler Packing List (7G-38G)**

- One Coupler (GX800-XXXX-COUPLER)
- Inner Hexagon Wrench - 2.5#
- Vaseline
- Finger Sheath
- Switch
- Installation Guide
- Specifications
- Declaration of Hazardous / Toxic Substances / Elements



## 7G-38GHz Coupler Installation Guide

For detailed technical specifications, please go to <http://www.proxim.com>

©2011 Proxim Wireless Corporation. All rights reserved. Proxim is a registered trademark and the Proxim logo and Tsunami are trademarks of Proxim Wireless Corporation. All other trademarks mentioned herein are property of their respective owners. Specifications are subject to change without notice.

DS\_0211\_HybridCouplers\_A4

**proxim**  
wireless

Proxim Wireless Corporation  
[www.proxim.com](http://www.proxim.com)