



Cabinet Closes with One Hand Even When Loaded to 400 lb. Capacity.

Cabinet Installs in Modular Sections.

Rear Wall Easily Configured to Accept 19" Panels, 110 Blocks, A/V Splitters, and More.

FEATURES

- Adjustable rails from front to rear - notched for easy location.
- Dedicated bonding points speed grounding.
- Specifically designed to mount to plywood backboards, steel and wood studded walls, cinder block and concrete walls.
- Vented Sides for active equipment with optional filters.
- Structured cable routing between front and rear sections.
- Eccentric knockouts.
- Simplify conduit connection.

SPECIFICATIONS

- ◆ 400 lb. load capacity.
- ◆ Material:
 - Rear section, center section: 14ga. cold rolled steel.
 - Top/bottom hinge cover panel: 11 ga. cold rolled steel.
 - Front door: 18 ga. cold rolled steel.
 - Hinged mounting plates (rear door): 11 ga. cold rolled steel.
- ◆ Finish: painted black.
- ◆ 19" rack-style rails tapped #12-24.
- ◆ 19" rack mounting width per EIA-310-D.
- ◆ Grounding provisions per TIA-607.
- ◆ Acrylic window tinted smoke gray.
- ◆ 16" stud mounting.
- ◆ Front door and rear locks both keyed alike with key #CH751.
- ◆ Wall mounting hardware is 3/8" or #8 screws.

APPROVALS/INSTALLATION

- UL 1863 Listed.

APPLICATIONS

- ▲ Equipment rooms and telecommunications closets.
- ▲ Process plants and control facilities.
- ▲ Campus LANs and network backbones.
- ▲ Data Centers.

HUBBELL QuadCab Wall Mount Enclosure



Hubbell's unique QUADCAB® wall mount enclosures are designed with special high-strength hinges and a removable rear cabinet section to provide fast, easy wall mounting in the field. Also, the rear section of the enclosure can be custom configured for a wide variety of equipment mounting brackets and accessories. Patented eccentric knockouts virtually eliminate conduit bending, and additional knockouts are provided for metal and plastic raceway.

QUADCAB® wall mount cabinets provide the installer with superior features for quick and easy installation and equipment accessibility. A mobile base accessory is also available for floor mount installations.

QUADCAB® Wall Mount Cabinets

Order Information

- Delivery:
- 1 Rear section (arrives disassembled facilitating installation)
 - 1 Front door
 - 2 19" mounting angles
 - 1 Center section with 2 CH751 locks
 - 2 Top/bottom cover plates
 - 2 Hinge pins
 - 2 Security cotter pins



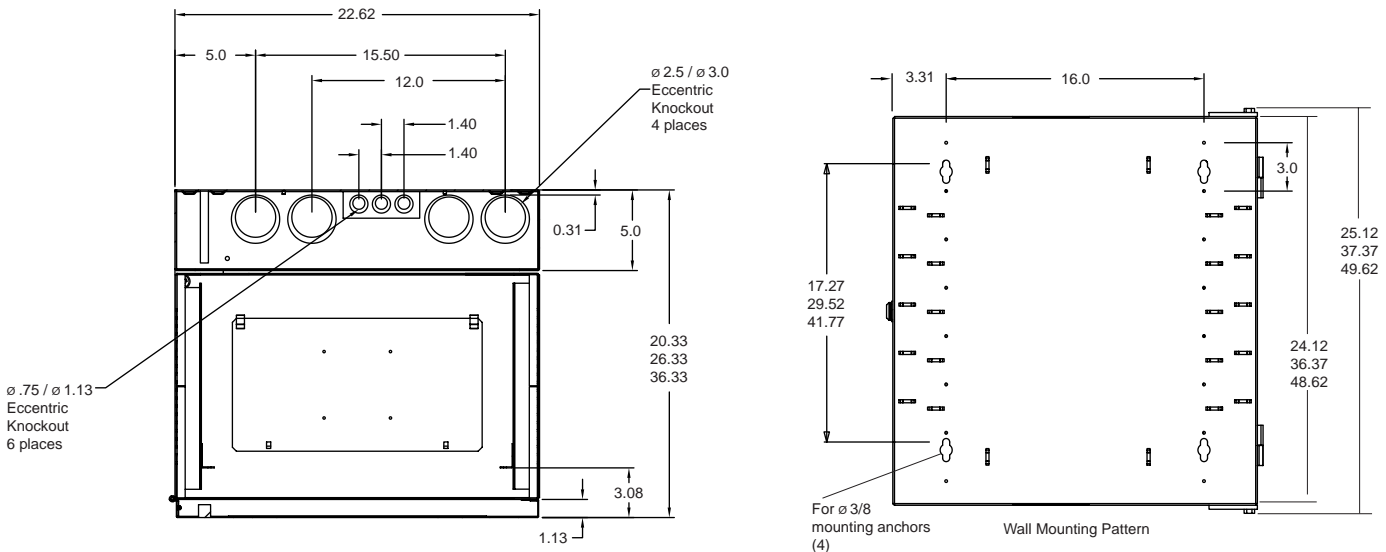
Height	Rack Height	Depth	Door Style	Color*	Catalog No.
24"	12	20"	Window	Black	HSQ24
24"	12	26"	Window	Black	HSQ2426
24"	12	36"	Window	Black	HSQ2436
24"	12	20"	Solid	Black	HSQ24S
24"	12	26"	Solid	Black	HSQ24S26
24"	12	36"	Solid	Black	HSQ24S36

Height	Rack Height	Depth	Door Style	Color*	Catalog No.
36"	19	20"	Window	Black	HSQ36
36"	19	26"	Window	Black	HSQ3626
36"	19	36"	Window	Black	HSQ3636
36"	19	20"	Solid	Black	HSQ36S
36"	19	26"	Solid	Black	HSQ36S26
36"	19	36"	Solid	Black	HSQ36S36

Height	Rack Height	Depth	Door Style	Color*	Catalog No.
48"	26	20"	Window	Black	HSQ48
48"	26	26"	Window	Black	HSQ4826
48"	26	36"	Window	Black	HSQ4836
48"	26	20"	Solid	Black	HSQ48S
48"	26	26"	Solid	Black	HSQ48S26
48"	26	36"	Solid	Black	HSQ48S36

* For Office White, add "W" to the end of the Catalog No.

DIMENSIONS



Hubbell Premise Wiring

HUBBELL INCORPORATED (Delaware)
 14 Lord's Hill Road • Stonington, CT 06378-0901 • (860) 535-8326 • 800-626-0005
 Fax: (860) 535-8328 • Internet site: <http://www.hubbell-premise.com>

Worldwide Locations

Hubbell Premise Wiring, Asia Pacific
 Hubbell Canada Inc.
 Hubbell Premise Wiring, Central America
 Hubbell Premise Wiring, China
 Hubbell Premise Wiring, Colombia
 Hubbell Premise Wiring, Europe
 Hubbell Int'l. Inc., Korea Branch

852-2836-7131 Fax: 852-2836-7132
 905-839-1138 Fax: 905-839-9108
 506-309-4158 Fax: 506-260-1616
 8621-6309-0119 Fax: 8621-6309-0122
 571-245-8940 Fax: 571-340-0925
 44-01283 500500 Fax: 44-01283 500400
 82-2-(0)2607-1363 Fax: 82-2-(0)2603-7386

Hubbell Premise Wiring, Latin America
 Hubbell de Mexico, S.A. de C.V.
 Hubbell Premise Wiring, Middle East
 Hubbell-Taian Co., Ltd., Taiwan
 Hubbell Premise Wiring, Turkey
 Hubbell Premise Wiring, Venezuela

305-408-4501
 (5255) 9151-9999
 971-4-393-4192
 886-2-2522-1862
 90-216-313-5016
 58-416-680-7453

Fax: 305-408-8201
 Fax: (5255) 9151-9989
 Fax: 971-4-393-4194
 Fax: 886-2-2522-1872
 Fax: 90-216-414-8148
 Fax: 58-281-274-7900